

Video Surveillance Product Catalog 2017



Contents

IR Bullet
Camera

Box Camera

Semi Dome
Camera

Speed Dome
Camera

IR Speed
Dome Camera

PTZ Camera

Recognitive
Camera

Network
Video
Recorder





















Video
Management
System

IP SAN






Encoder
&
Decoder

Mobile
Solutions


















IR Bullet Camera






Model	Picture	Image sensor	Resolution	IR	Lens	Compression	WDR	Ingress protection	Intelligent	Starlight	Specialty	Interface
< LC2150-AN		1/3"	1.3MP	30~50m smart IR	3.6/6/8/12/16mm Fixed Lens	H.264	Digital WDR	IP66	Motion Detection	-	-	PoE,Alarm
< LC2150-AN-D		1/3"	1.3MP	30~50m smart IR	3.6/6/8/12/16mm Fixed Lens	H.264	Digital WDR	IP66	Motion Detection	-	-	TF Card Slot
< LC2150-BN-D		1/3"	1.3MP	30~50m smart IR	3.6/6/8/12/16mm Fixed Lens	H.264	Digital WDR	IP66	Motion Detection	-	-	-
< IPC2152-AN		1/3"	1.3MP	30~50m smart IR	3.6/6/8/12/16mm Fixed Lens	H.264	Digital WDR	IP66	Motion Detection	-	-	PoE,TF Card Slot, Audio,Alarm,RS485, Video Out
< IPC2152-HN-DIR		1/3"	1.3MP	30~50m smart IR	3.6/6/8/12/16mm Fixed Lens	H.265/H.264	Digital WDR	IP66	Basic Intelligent I	-	-	-
< IPC2252-HN-DIR		1/3"	2.0MP	30~50m smart IR	3.6/6/8/12/16mm Fixed Lens	H.265/H.264	Digital WDR	IP66	Basic Intelligent I	-	-	-
< IPC2252-HN-PIR		1/3"	2.0MP	30~50m smart IR	3.6/6/8/12/16mm Fixed Lens	H.265/H.264	Digital WDR	IP66	Basic Intelligent I	-	-	PoE,TF Card Slot
< IPC2252-HN-SIR		1/3"	2.0MP	30~50m smart IR	3.6/6/8/12/16mm Fixed Lens	H.265/H.264	Digital WDR	IP66	Basic Intelligent II	-	-	PoE,TF Card Slot, Audio,Alarm,RS485, Video Out
< IPC2452-HN-DIR		1/3"	4.0MP	30~50m smart IR	3.6/6/8/12/16mm Fixed Lens	H.265/H.264	Digital WDR	IP66	Basic Intelligent I	-	-	-
< IPC2452-HN-PIR		1/3"	4.0MP	30~50m smart IR	3.6/6/8/12/16mm Fixed Lens	H.265/H.264	Digital WDR	IP66	Basic Intelligent I	-	-	PoE,TF Card Slot
< IPC2452-HN-SIR		1/3"	4.0MP	30~50m smart IR	3.6/6/8/12/16mm Fixed Lens	H.265/H.264	Digital WDR	IP66	Basic Intelligent II	-	-	PoE,TF Card Slot, Audio,Alarm,RS485, Video Out
< IPC2252-HN-PIR50-Z2812		1/3"	2.0MP	30~50m smart IR	2.8 ~ 12mm Motorized Varifocal Lens	H.265/H.264	Digital WDR	IP66	Basic Intelligent I	-	-	PoE,TF Card Slot
< IPC2252-HN-SIR50-Z2812		1/3"	2.0MP	30~50m smart IR	2.8 ~ 12mm Motorized Varifocal Lens	H.265/H.264	Digital WDR	IP66	Basic Intelligent II	-	-	PoE,TF Card Slot, Audio,Alarm,RS485, Video Out
< IPC2452-HN-PIR50-Z2812		1/3"	4.0MP	30~50m smart IR	2.8 ~ 12mm Motorized Varifocal Lens	H.265/H.264	Digital WDR	IP66	Basic Intelligent I	-	-	PoE,TF Card Slot
< IPC2452-HN-SIR50-Z2812		1/3"	4.0MP	30~50m smart IR	2.8 ~ 12mm Motorized Varifocal Lens	H.265/H.264	Digital WDR	IP66	Basic Intelligent II	-	-	PoE,TF Card Slot, Audio,Alarm,RS485, Video Out
< IPC2151-AN&BN		1/3"	1.3MP	30~50m smart IR	2.8 ~ 12mm Motorized Varifocal Lens	H.264	Digital WDR	IP66	Motion Detection	-	-	PoE,TF Card Slot, Audio,Alarm,RS485, Video Out
< IPC2151-AN&BN-D		1/3"	1.3MP	30~50m smart IR	2.8 ~ 12mm Motorized Varifocal Lens	H.264	Digital WDR	IP66	Motion Detection	-	-	TF Card Slot
< IPC2251-HN/HNB-SIR40-Z3009		1/2.8"	2.0MP	30~50m smart IR	2.8 ~ 12mm AF Lens	H.265/H.264	Ultra WDR	IP67	Basic Intelligent II	0.001lux	O/G sensor	PoE,TF Card Slot, Audio,Alarm,RS485, Video Out
< IPC2251-HN/HNB-SIR80-Z6048		1/2.8"	2.0MP	80~120m smart IR	6 ~ 48mm AF Lens	H.265/H.264	Ultra WDR	IP67	Basic Intelligent II	0.001lux	O/G sensor	PoE,TF Card Slot, Audio,Alarm,RS485, Video Out
< IPC2150-AN		1/3"	1.3MP	60~70m Smart IR	7 ~ 22mm Manual/ Motorized Varifocal Lens	H.264	Digital WDR	IP66	Motion Detection	-	-	PoE,TF Card Slot, Audio,Alarm,RS485, Video Out
< IPC2250-AN		1/2.8"	2.0MP	60~70m Smart IR	7 ~ 22mm Manual/ Motorized Varifocal Lens	H.264	Digital WDR	IP66	Motion Detection	-	-	PoE,TF Card Slot, Audio,Alarm,RS485, Video Out

Box Camera

Model	Picture	Image sensor	Resolution	Compression	WDR	Intelligent	Starlight	Specialty	Interface
< IPC113-AN		1/3"	1.3MP	H.264	Digital WDR	Motion Detection	-	-	PoE,TF Card Slot, Audio,Alarm,RS485, Video Out
< IPC113-DN		1/3"	1.3MP	H.264	Ultra WDR	Motion Detection	-	60fps	PoE,TF Card Slot, Audio,Alarm,RS485, Video Out
< IPC123-HN		1/3"	2.0MP	H.265/H.264	Ultra WDR	Basic Intelligent II	-	O/G sensor, Built-in Mic	PoE,TF Card Slot, Audio,Alarm,RS485, Video Out
< IPC123-DN		1/3"	2.0MP	H.264	Ultra WDR	Motion Detection	-	60fps	PoE,TF Card Slot, Audio,Alarm,RS485, Video Out
< IPC143-HN		1/3"	4.0MP	H.265/H.264	Ultra WDR	Basic Intelligent II	-	O/G sensor, Built-in Mic	PoE,TF Card Slot, Audio,Alarm,RS485, Video Out
< IPC123-FN		1/1.9"	2.0MP	H.265/H.264	Ultra WDR	Basic Intelligent II	0.001lux	60fps, O/G sensor, Built-in Mic	PoE,TF Card Slot, Audio,Alarm,RS485, Video Out
< IPC185-AN		1/1.7"	4K	H.264	Digital WDR	Motion Detection	-	-	PoE,TF Card Slot, Audio,Alarm,RS485, Video Out








Semi Dome Camera

Model	Picture	Image sensor	Resolution	IR	Lens	Compression	WDR	Ingress protection	Intelligent	Specialty	Interface
< IPC2240-HN-P		1/3"	2.0MP	-	2.1mm Fixed Lens	H.265/H.264	Digital WDR	-	Basic Intelligent I	IK10, Built-in Mic	PoE,TF Card Slot
< IPC2240-HN-PIR30		1/3"	2.0MP	30m smart IR	2.8/3.6/6mm Fixed Lens	H.265/H.264	Digital WDR	-	Basic Intelligent I	IK10, Built-in Mic	PoE,TF Card Slot
< IPC2240-HN-S		1/3"	2.0MP	-	2.1mm Fixed Lens	H.265/H.264	Digital WDR	-	Basic Intelligent II	IK10, Built-in Mic	PoE,TF Card Slot, Audio,Alarm,RS485, Video Out
< IPC2240-HN-SIR30		1/3"	2.0MP	30m smart IR	2.8/3.6/6mm Fixed Lens	H.265/H.264	Digital WDR	-	Basic Intelligent II	IK10, Built-in Mic	PoE,TF Card Slot, Audio,Alarm,RS485, Video Out
< IPC2440-HN-P		1/3"	4.0MP	-	2.1mm Fixed Lens	H.265/H.264	Digital WDR	-	Basic Intelligent I	IK10, Built-in Mic	PoE,TF Card Slot
< IPC2440-HN-PIR30		1/3"	4.0MP	30m smart IR	2.8/3.6/6mm Fixed Lens	H.265/H.264	Digital WDR	-	Basic Intelligent I	IK10, Built-in Mic	PoE,TF Card Slot
< IPC2440-HN-S		1/3"	4.0MP	-	2.1mm Fixed Lens	H.265/H.264	Digital WDR	-	Basic Intelligent II	IK10, Built-in Mic	PoE,TF Card Slot, Audio,Alarm,RS485, Video Out
< IPC2440-HN-SIR30		1/3"	4.0MP	30m smart IR	2.8/3.6/6mm Fixed Lens	H.265/H.264	Digital WDR	-	Basic Intelligent II	IK10, Built-in Mic	PoE,TF Card Slot, Audio,Alarm,RS485, Video Out
< LC2110-AN		1/3"	1.3MP	30m smart IR	2.8/3.6/6/8/12mm Fixed Lens	H.264	Digital WDR	IP66	Motion Detection	-	PoE,TF Card Slot
< LC2110-AN-D		1/3"	1.3MP	30m smart IR	2.8/3.6/6/8/12mm Fixed Lens	H.264	Digital WDR	IP66	Motion Detection	-	TF Card Slot
< LC2110-BN-D		1/3"	1.3MP	30m smart IR	2.8/3.6/6/8/12mm Fixed Lens	H.264	Digital WDR	IP66	Motion Detection	-	-
< IPC2111-HN-DIR		1/3"	1.3MP	30m smart IR	2.8/3.6/6/8mm Fixed Lens	H.265/H.264	Digital WDR	IP66	Basic Intelligent I	Built-in Mic	-
< IPC2211-HN-DIR		1/3"	2.0MP	30m smart IR	2.8/3.6/6/8mm Fixed Lens	H.265/H.264	Digital WDR	IP66	Basic Intelligent I	Built-in Mic	-
< IPC2211-HN-PIR		1/3"	1.3MP	30m smart IR	2.8/3.6/6/8mm Fixed Lens	H.265/H.264	Digital WDR	IP66	Basic Intelligent I	Built-in Mic	PoE,TF Card Slot
< IPC2211-HN-SIR		1/3"	2.0MP	30m smart IR	2.8/3.6/6/8mm Fixed Lens	H.265/H.264	Digital WDR	IP66	Basic Intelligent II	Built-in Mic	PoE,TF Card Slot,Audio,Alarm,RS485, Video Out
< IPC2411-HN-DIR		1/3"	4.0MP	30m smart IR	2.8/3.6/6/8mm Fixed Lens	H.265/H.264	Digital WDR	IP66	Basic Intelligent I	Built-in Mic	-
< IPC2411-HN-PIR		1/3"	4.0MP	30m smart IR	2.8/3.6/6/8mm Fixed Lens	H.265/H.264	Digital WDR	IP66	Basic Intelligent I	Built-in Mic	PoE,TF Card Slot
< IPC2411-HN-SIR		1/3"	4.0MP	30m smart IR	2.8/3.6/6/8mm Fixed Lens	H.265/H.264	Digital WDR	IP66	Basic Intelligent II	Built-in Mic	PoE,TF Card Slot, Audio,Alarm,RS485, Video Out








Model	Picture	Image sensor	Resolution	IR	Lens	Compression	WDR	Ingress protection	Intelligent	Specialty	Interface
< IPC2131-AN-L		1/3"	1.3MP	-	2.0/2.2mm Fixed, 2.7 ~ 9mm Manual/Motorized Varifocal Lens	H.264	Digital WDR	IP67	Motion Detection	-	PoE,TF Card Slot, Audio,Alarm,RS485, Video Out
< IPC2131-AN-IR		1/3"	1.3MP	40m Smart IR	2.7 ~ 9mm Manual/Motorized Varifocal Lens	H.264	Digital WDR	IP67	Motion Detection	-	PoE,TF Card Slot, Audio,Alarm,RS485, Video Out
< IPC2231-HN-S		1/3"	2.0MP	-	2.0/2.2mm Fixed, 2.8 ~ 12mm AF Lens	H.265/H.264	Digital WDR	IP67	Basic Intelligent II	IK10, Power ouput	PoE,TF Card Slot, Audio,Alarm,RS485, Video Out
< IPC2231-HN-SIR40		1/3"	2.0MP	40m Smart IR	2.8 ~ 12mm AF Lens	H.265/H.264	Digital WDR	IP67	Basic Intelligent II	IK10, Power ouput	PoE,TF Card Slot, Audio,Alarm,RS485, Video Out
< IPC2431-HN-S		1/3"	4.0MP	-	2.0/2.2mm Fixed, 2.8 ~ 12mm AF Lens	H.265/H.264	Ultra WDR	IP67	Basic Intelligent II	IK10, Power ouput	PoE,TF Card Slot, Audio,Alarm,RS485, Video Out
< IPC2431-HN-SIR40		1/3"	4.0MP	40m Smart IR	2.8 ~ 12mm AF Lens	H.265/H.264	Ultra WDR	IP67	Basic Intelligent II	IK10, Power ouput	PoE,TF Card Slot, Audio,Alarm,RS485, Video Out
< IPC2131-DN-L		1/3"	1.3MP	-	2.0/2.2mm Fixed, 2.7 ~ 9mm Manual/Motorized Varifocal Lens	H.264	Ultra WDR	IP67	Motion Detection	IK10	PoE,TF Card Slot, Audio,Alarm,RS485, Video Out
< IPC2131-DN-IR		1/3"	1.3MP	40m Smart IR	2.7 ~ 9mm Manual/Motorized Varifocal Lens	H.264	Ultra WDR	IP67	Motion Detection	IK10	PoE,TF Card Slot, Audio,Alarm,RS485, Video Out
< IPC2231-DN-L		1/3"	2.0MP	-	2.0/2.2mm Fixed, 2.7 ~ 9mm Manual/Motorized Varifocal Lens	H.264	Ultra WDR	IP67	Motion Detection	IK10	PoE,TF Card Slot, Audio,Alarm,RS485, Video Out
< IPC2231-DN-IR		1/3"	2.0MP	40m Smart IR	2.7 ~ 9mm Manual/Motorized Varifocal Lens	H.264	Ultra WDR	IP67	Motion Detection	IK10	PoE,TF Card Slot, Audio,Alarm,RS485, Video Out
< IPC2231-EN-L		1/1.9"	2.0MP	-	2.95mm Fixed Lens	H.264	Digital WDR	IP67	Motion Detection	IK10	PoE,TF Card Slot, Audio,Alarm,RS485, Video Out
< IPC2132-AN-DL		1/3"	1.3MP	-	2.1/2.8mm Fixed, 2.8 ~ 12mm Varifocal Lens	H.264	Digital WDR	-	Motion Detection	IK10	TF Card Slot, Audio,Alarm,RS485
< IPC2132-AN-DIR		1/3"	1.3MP	40m Smart IR	2.8mm Fixed, 2.8 ~ 12mm Varifocal Lens	H.264	Digital WDR	IP67*	Motion Detection	IK10	TF Card Slot, Audio,Alarm,RS485
< IPC2232-AN-DL		1/2.8"	2.0MP	-	2.1/2.8mm Fixed, 2.8 ~ 12mm Varifocal Lens	H.264	Digital WDR	-	Motion Detection	IK10	TF Card Slot, Audio,Alarm,RS485
< IPC2232-AN-DIR		1/2.8"	2.0MP	40m Smart IR	2.1/2.8mm Fixed, 2.8 ~ 12mm Varifocal Lens	H.264	Digital WDR	IP67*	Motion Detection	IK10	TF Card Slot, Audio,Alarm,RS485

* Only IPC2132-AN-DIR3 and IPC2232-AN-DIR3 support IP67

Speed Dome Camera

Model	Picture	Image sensor	Resolution	Lens	Compression	WDR	Ingress protection	Intelligent	starlight	Specialty	Interface
< IPC411-E020-N0		1/3"	1.3MP	16X	H.264	Digital WDR	-	Motion Detection	-	-	SD Card Slot, Audio,Alarm,RS485, Video Out
< IPC411-E020-N1		1/3"	1.3MP	16X	H.264	Digital WDR	IP67	Motion Detection	-	-	SD Card Slot, Audio,Alarm,RS485, Video Out
< IPC411-E120-N1		1/3"	1.3MP	16X	H.264	Digital WDR	IP67	Motion Detection	-	-	SD Card Slot, Audio,Alarm
< IPC421-F120-N0		1/2.8"	2.0MP	20X	H.265/H.264	Ultra WDR	-	Basic Intelligent I	0.003lux	O-sensor	SD Card Slot, Audio,Alarm,RS485, Video Out
< IPC421-E230-N0		1/3"	2.0MP	30X	H.265/H.264	Ultra WDR	-	Basic Intelligent II	0.003lux	O-sensor	SD Card Slot, Audio,Alarm,RS485, Video Out
< IPC421-F120-N1		1/2.8"	2.0MP	20X	H.265/H.264	Ultra WDR	IP67	Basic Intelligent I	0.003lux	O-sensor	SD Card Slot, Audio,Alarm,RS485, Video Out
< IPC421-F233-N1		1/2.8"	2.0MP	33X	H.265/H.264	Ultra WDR	IP67	Basic Intelligent II	0.003lux	O-sensor	SD Card Slot, Audio,Alarm,RS485, Video Out


IR Speed Dome Camera

Model	Picture	Image sensor	Resolution	Lens	IR	Compression	WDR	Ingress protection	Intelligent	starlight	Specialty	Interface
< IPC415-E120-N		1/3"	1.3MP	16X	150m	H.264	Digital WDR	IP66	Motion Detection	-	-	SD Card Slot, Audio,Alarm
< IPC425-H130-N		1/3"	2.0MP	30X	180m	H.265/H.264	Digital WDR	IP66	Basic Intelligent I	0.003lux	Wiper	SD Card Slot, Audio,Alarm,RS485, Video Out
< IPC425-E230-N		1/3"	2.0MP	30X	220m	H.265/H.264	Ultra WDR	IP66	Basic Intelligent II	0.003lux	Wiper	SD Card Slot, Audio,Alarm,RS485, Video Out
< IPC425-E230-NL		1/3"	2.0MP	30X	500m	H.265/H.264	Ultra WDR	IP66	Basic Intelligent II	0.003lux	Laser, Wiper	SD Card Slot, Audio,Alarm,RS485, Video Out
< IPC425-F120-N		1/2.8"	2.0MP	20X	180m	H.265/H.264	Ultra WDR	IP66	Basic Intelligent II	0.003lux	-	SD Card Slot, Audio,Alarm
< IPC425-F223-N		1/1.9"	2.0MP	23X	220m	H.265/H.264	Ultra WDR	IP66	Basic Intelligent II	0.001lux	-	SD Card Slot, Audio,Alarm,RS485, Video Out
< IPC445-H120-N		1/2.8"	4.0MP	20X	180m	H.265/H.264	Digital WDR	IP66	Basic Intelligent I	-	-	SD Card Slot, Audio,Alarm


PTZ Camera

Model	Picture	Image sensor	Resolution	Lens	IR	Compression	WDR	Ingress protection	Intelligent	Specialty	Interface
< IPC521-F233-NL		1/2.8"	2.0MP	33X	1000m	H.265/H.264	Ultra WDR	IP66	Basic Intelligent II	Laser	SD Card Slot, Audio, Alarm
< IPC525-F132-NL2		1/1.9"	2.0MP	32X	2000m	H.265/H.264	Ultra WDR	IP66	Basic Intelligent II	Laser, Optical Defog	TF Card Slot, Audio, Alarm
< IPC525-F160-NL3		1/1.9"	2.0MP	60x 2x Barlow lens supported	3000m	H.265/H.264	Ultra WDR	IP66	Basic Intelligent II	Laser, Optical Defog	TF Card Slot, Audio, Alarm
< IPC525-F260-NL5		1/1.9"	2.0MP	60x 2x Barlow lens supported	5000m	H.265/H.264	Ultra WDR	IP66	Basic Intelligent II	Laser, Optical Defog	TF Card Slot, Audio, Alarm



Recognitive Camera

Model	Picture	Description	Image sensor	Resolution	Compression	WDR	Intelligent	Starlight	Specialty	Interface
< IPC123-Ei7N		Recognitive Box Camera	1/1.9"	2.0MP	H.264	Digital WDR	Recognition	0.002lux	-	PoE,TF Card Slot, Audio,Alarm,RS485, Video Out
< IPC121-Ei7N		Recognitive Box Camera	1/1.9"	2.0MP	H.264	Digital WDR	Recognition	0.002lux	Intel CPU	SD Card Slot, Audio,Alarm,RS485, RS232
< IPC121-Ei4N		Human Recognitive Camera	1/1.9"	2.0MP	H.264	Digital WDR	Facial Recognition	0.002lux	-	SD Card Slot, Audio,Alarm,RS485, RS232,Video Out
< IPC121-Bi5N		Recognitive Tracking System	1/1.9"	2.0MP	H.264	Digital WDR	Auto Tracking	0.002lux	-	SD Card Slot, Audio,Alarm,RS485, RS232,Video Out
< IPC421-i020 -N1			1/2.8"	2.0MP	H.264	Digital WDR	Recognition,Auto Tracking	-	-	SD Card Slot, Audio,Alarm,RS485, Video Out
< IPC425-i020 -N			1/2.8"	2.0MP	H.264	Digital WDR	Recognition,Auto Tracking	-	-	SD Card Slot, Audio,Alarm,RS485, Video Out


Network Video Recorder

Model	Picture	IP Camera Input	Storage	RAID	Compression	Video Out	Ethernet	USB	decoding capability
< NVR1825-HDA		4/9/16 channel	1×SATA	-	H.264	1×HDMI 1×VGA	1 x 10/100M or 1 x Gigabit	2 x USB 2.0	Up to 4 x 1080p@30fps
< NVR1825-HD		4/9/16/32 channel	2×SATA	-	H.264	1×HDMI 1×VGA	1 x 10/100M or 1 x Gigabit	2 x USB 2.0	Up to 4 x 1080p@30fps / 9 x 720p@30fps
< NVR1825-HP		4/9 channel	2×SATA	-	H.264	1×HDMI 1×VGA	1 x 10/100M 4 x 10/100M PoE Port	2 x USB 2.0	Up to 1 x 1080p@30fps / 4 x 720p@30fps
< NVR1822-HDA		9/16/32 channel	4×SATA	-	H.264	1×HDMI 1×VGA	1 x Gigabit	2 x USB 2.0	Up to 4 x 1080p@30fps / 9 x 720p@30fps
< NVR1822-HD		9/16/32 channel	8×SATA	-	H.264	1×HDMI 1×VGA	1 x Gigabit	2 x USB 2.0	Up to 4 x 1080p@30fps / 9 x 720p@30fps
< NVR1821-04A		9/16/32 channel	4×SATA 1×eSATA	RAID 0/1/5/6/10	H.265/H.264	1×HDMI (4K) 1×VGA	2 x Gigabit	2×USB 2.0 1×USB 3.0	Up to 4 x 4K@30fps /16 x 1080p@30fps
< NVR1821-08A		9/16/32/64 channel	8×SATA 1×eSATA	RAID 0/1/5/6/10	H.265/H.264	1×HDMI (4K) 1×VGA	2 x Gigabit	2×USB 2.0 1×USB 3.0	Up to 4 x 4K@30fps /16 x 1080p@30fps
< NVR2860E-08A		16/32/48/64 channel	8×SATA 1×eSATA	RAID 0/1/5/6/10	H.265/H.264	1×HDMI (4K) 1×VGA	2 x Gigabit	2×USB 2.0 1×USB 3.0	Up to 4 x 4K@30fps /16 x 1080p@30fps
< NVR2860E-HD		16/32/48/64 channel	8×SATA 1×eSATA	RAID 0/1/5/6/10	H.265/H.264	1×HDMI (4K) 1×VGA	2 x Gigabit	2×USB 2.0 1×USB 3.0	Up to 16 x 1080p@30fps
< NVR2882-HD		32/64 channel	16×SATA	-	H.265/H.264	1×HDMI (4K) 1×VGA	2 x Gigabit	2×USB 2.0 1×USB 3.0	Up to 4 x 1080p@30fps /16 x 720p@30fps
< NVR2882-16A		16/32/64 channel	16×SATA 1×eSATA	RAID 0/1/5/6/10	H.265/H.264	1×HDMI (4K) 1×VGA	2 x Gigabit	2×USB 2.0 1×USB 3.0	Up to 4 x 4K@30fps /16 x 1080p@30fps
< NVR2881-HD		32/64/128 channel	16×SATA	RAID 0/1/5/6/10	H.264	1×HDMI (4K) 1×HDMI 1×VGA	3 x Gigabit	2×USB 2.0 1×USB 3.0	Up to 16 x 1080p@30fps
< NVR2881-HDI		32/64	16×SATA	RAID 0/1/5/6/10	H.264	1×HDMI (4K) 1×HDMI 1×VGA	3 x Gigabit	2×USB 2.0 1×USB 3.0	Up to 16 x 1080p@30fps



Video Management System

Model	Picture	Feature
< KDM2801H-G2		<ul style="list-style-type: none"> Up to 1000 channel per unit Max. 640Mbps incoming bandwidth Max. 640Mbps output bandwidth Up to 1000 users access simultaneously 8-level cascade 32 devices stack per level N+1 Hot Backup
< KDM2802A-G2		<ul style="list-style-type: none"> Up to 5000 channel per unit Max. 640Mbps incoming bandwidth Max. 640Mbps output bandwidth Up to 1000 users access simultaneously 8-level cascade 32 devices stack per level N+1 Hot Backup









IP SAN

Model	Picture	Feature
VS200G		Max. 500Mbps recording rate Max. 16 HDDs up to 96TB storage RAID 0/1/5/6/10, RAID X Redundant Power Supply

Encoder & Decoder

Model	Picture	Feature
KDM201		Modular architecture, 8 slots Max. 16 x 4K@30fps / 72 x 1080p@30fps / 144 x 720p@30fps decoder per unit H.264 / H.265
IPA102		H.264 high profile video codec Dual-stream TF card slot

Mobile Solutions

Model	Picture	Image sensor	Resolution	Lens	IR	Compression	WDR	Ingress protection	Intelligent	starlight	Specialty
< IPC521-H120-N		1/2.8"	2.0MP	20X	150 ~ 200m	H.265/H.264	Ultra WDR	IP66	Motion Detection	0.003lux	Wiper
< IPC521-F233-N		1/3"	2.0MP	33X	150 ~ 200m	H.265/H.264	Ultra WDR	IP66	Motion Detection	0.003lux	Wiper
< IPC521-H120-W		1/2.8"	2.0MP	20X	40 ~ 60m	H.265/H.264	Ultra WDR	IP66	Motion Detection	0.003lux	Built-in super magnet, Wi-Fi supported, Built-in battery
Model	Picture	Feature									
< KDM2410M-V21		Vehicle NVR / Wireless Mobile Encoder 4 Channel IP Camera + 4 Channel Analog Camera access Built-in Wi-Fi AP module, can access Wi-Fi IP camera and PAD All mobile networks supported Built-in GPS module Supports dual SIM card bundle									
< IPW200-P1BD		Body Worn Surveillance Phone Android 5.0 OS 5.5" 1080p HD IPS screen display Supports location function by GPS, GLONASS, Beidou Supports dual SIM dual standby IP67, adaptive to various environments 1.5 meters drop shock protection									
< DSJ-U1		Body Worn Camera Deep customized Android OS 2.2" touchscreen display Supports location function by GPS, GLONASS, Beidou Support SIM IP67, adaptive to various environments 2 meters drop shock protection									
< USBCAM-100		Button Camera Mini Size 30g weight 65mm × 26mm × 24mm Hidden wear Built-in Mic									
< USBCAM-200		Ear-hook Camera Mini Size 40g weight 100mm × 75mm × 15mm Built-in Mic Built-in earphone									

LC2150-AN

1.3MP HD Network IR Bullet Camera



Features

Excellent Image Quality

- 1.3 Megapixel 1/3" progressive scan CMOS sensor
- High definition and smooth picture, 960p@30fps
- H.264 high profile video codec, saves up to 30% bandwidth and storage
- Low illumination, 0.01lux with color picture
- WDR support / 3D noise reduction

Integrated High Efficiency IR

- Industrial IR LED with long operational lifespan
- 30 ~ 50m IR distance
- Smart IR function

A Variety of Installation Modes

- Supports 90°, 180°, 270° image rotation

Abundant Functions and Features

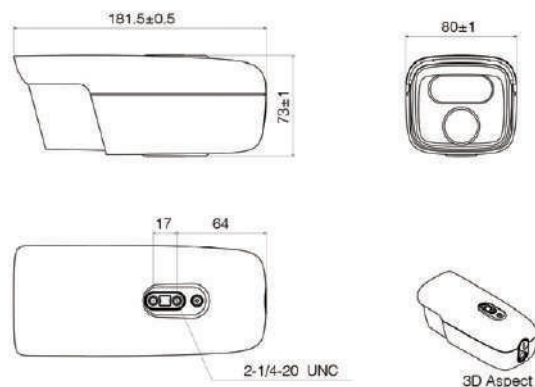
- TF card slot, supports Automatic Network Replenishment (ANR)
- Up to 3 video streams
- PoE
- IP66

Specifications

	LC2150-AN(-IR2, -IR3, -IR4, -IR5, -IR6)
Camera	
Image Sensor	1/3" progressive scan CMOS
Pixels	1.3 Megapixel
Min. Illumination	Color: 0.01lux @ (F1.6, AGC ON)
Shutter Speed	B/W: 0lux with IR
Day / Night	1/10 ~ 1/10,000s
Wide Dynamic Range	Auto (ICR) / Color / B/W
S/N Ratio	Digital WDR
White Balance	>50dB
Gain Control	Auto / Manual
Backlight Compensation	Auto / Manual
	Off / BLC / WDR
Lens	
Mount Type	M12
Focal Length	3.6mm (-IR2) / 6mm (-IR3) / 8mm (-IR4) / 12mm (-IR5) / 16mm (-IR6)
Angle of View	75.6° (-IR2) / 46.7° (-IR3) / 35.3° (-IR4) / 23° (-IR5) / 16.9° (-IR6)
Infrared	
IR LED	1 pc IR LED(-IR2, -IR3, -IR4)
	2 pcs IR LED(-IR5, -IR6)
IR Distance	30m (-IR2, -IR3, -IR4)
	50m (-IR5, -IR6)
IR Intensity	Smart IR
Video	
Compression	H.264 / MJPEG
Image Resolution	Main stream: 960p
	Secondary stream: D1
Frame Rate	Main stream: 960p@30fps
	Secondary stream: D1@30fps
Bitrate	32kbps ~ 16Mbps
Bitrate Control	VBR / CBR
Multi-stream	Supported
Caption	Date and time / Alarm / Customized
Privacy Masking	Up to 4 zones
Motion Detection	Up to 4 zones
Video Freeze	Supported
Digital Noise Reduction	3D noise reduction
Image Flip	Flip / Mirror / Rotation at 90°, 180°, 270°
Network	
Network Protocols	TCP/IP, UDP, HTTP, DHCP, DNS/DDNS, RTP/RTCP, RTSP, PPPoE, FTP, VSIP, UPnP, 802.1x, IPv4, IPv6 (optional)
User Interface	IPC Control (IE, Firefox, Chrome)
Max. User Access	Max. 10 Users (includes 2 internal)
Application Programming	ONVIF (Profile S), GB/T 28181-2011, API, CGI
Automatic Network Replenishment (ANR)	Supported
Alarm	
Alarm Triggers	Motion detection / Shield area / Network disconnect / Disk full / Disk Error
Alarm Events	Alarm report / Recording / Alarm caption / Snapshot
Interfaces	
Ethernet	10/100M, RJ45 interface
Memory Slot	TF card slot, supports up to 128GB
Environmental	
Operating Temperature	-30°C ~ 60°C / -22°F ~ 140°F
Operating Humidity	10% ~ 95%
Protection Level	IP66
Electrical	
Power	12V DC ± 10% / PoE (IEEE802.3af)
Power Consumption	Max. 10W
Mechanical	
Weight	1kg / 2.2lb (Gross Weight)
Dimensions	181.5 x 80 x 73mm / 7.15" x 3.15" x 2.87"

Dimensions

Units:mm



LC2150-AN-D

1.3MP HD Network IR Bullet Camera



Features

Excellent Image Quality

- 1.3 Megapixel 1/3" progressive scan CMOS sensor
- High definition and smooth picture, 960p@30fps
- H.264 high profile video codec, saves up to 30% bandwidth and storage
- Low illumination, 0.01lux with color picture
- WDR support / 3D noise reduction

Integrated High Efficiency IR

- Industrial IR LED with long operational lifespan
- 30 ~ 50m IR distance
- Smart IR function

A Variety of Installation Modes

- Supports 90°, 180°, 270° image rotation

Abundant Functions and Features

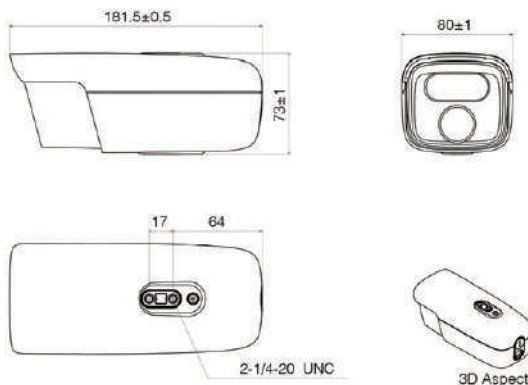
- TF card slot, supports Automatic Network Replenishment (ANR)
- Up to 3 video streams
- IP66

Specifications

	LC2150-AN-D(IR2, IR3, IR4, IR5, IR6)
Camera	
Image Sensor	1/3" progressive scan CMOS
Pixels	1.3 Megapixel
Min. Illumination	Color: 0.01lux @ (F1.6, AGC ON) B/W: 0lux with IR
Shutter Speed	1/10 ~ 1/10,000s
Day / Night	Auto (ICR) / Color / B/W
Wide Dynamic Range	Digital WDR
S/N Ratio	> 50dB
White Balance	Auto / Manual
Gain Control	Auto / Manual
Backlight Compensation	Off / BLC / WDR
Lens	
Mount Type	M12
Focal Length	3.6mm (IR2) / 6mm (IR3) / 8mm (IR4) / 12mm (IR5) / 16mm (IR6)
Angle of View	75.6° (IR2) / 46.7° (IR3) / 35.3° (IR4) / 23° (IR5) / 16.9° (IR6)
Infrared	
IR LED	1 pc IR LED(IR2, IR3, IR4) 2 pcs IR LED(IR5, IR6)
IR Distance	30m (IR2, IR3, IR4) 50m (IR5, IR6)
IR Intensity	Smart IR
Video	
Compression	H.264 / MJPEG
Image Resolution	Main stream: 960p Secondary stream: D1
Frame Rate	Main stream: 960p@30fps Secondary stream: D1@30fps
Bitrate	32kbps ~ 16Mbps
Bitrate Control	VBR / CBR
Multi-stream	Supported
Caption	Date and time / Alarm / Customized
Privacy Masking	Up to 4 zones
Motion Detection	Up to 4 zones
Video Freeze	Supported
Digital Noise Reduction	3D noise reduction
Image Flip	Flip / Mirror / Rotation at 90°, 180°, 270°
Network	
Network Protocols	TCP/IP, UDP, HTTP, DHCP, DNS/DDNS, RTP/RTCP, RTSP, PPPoE, FTP, VSIP, UPnP, 802.1x, IPv4, IPv6 (optional)
User Interface	IPC Control (IE, Firefox, Chrome)
Max. User Access	Max. 10 Users (includes 2 internal)
Application Programming	ONVIF (Profile S), GB/T 28181-2011, API, CGI
Automatic Network Replenishment (ANR)	Supported
Alarm	
Alarm Triggers	Motion detection / Shield area / Network disconnect / Disk full / Disk Error
Alarm Events	Alarm report / Recording / Alarm caption / Snapshot
Interfaces	
Ethernet	10/100M, RJ45 interface
Memory Slot	TF card slot, supports up to 128GB
Environmental	
Operating Temperature	-30°C ~ 60°C / -22°F ~ 140°F
Operating Humidity	10% ~ 95%
Protection Level	IP66
Electrical	
Power	12V DC ± 10%
Power Consumption	Max. 10W
Mechanical	
Weight	1 kg / 2.2lb (Gross Weight)
Dimensions	181.5 x 80 x 73mm / 7.15" x 3.15" x 2.87"

Dimensions

Units:mm



LC2150-BN-D

1.3MP HD Network IR Bullet Camera



Features

Excellent Image Quality

- 1.3 Megapixel 1/3" progressive scan CMOS sensor
- High definition and smooth picture, 960p@30fps
- Low illumination, 0.01lux with color picture
- WDR support / 3D noise reduction

Integrated High Efficiency IR

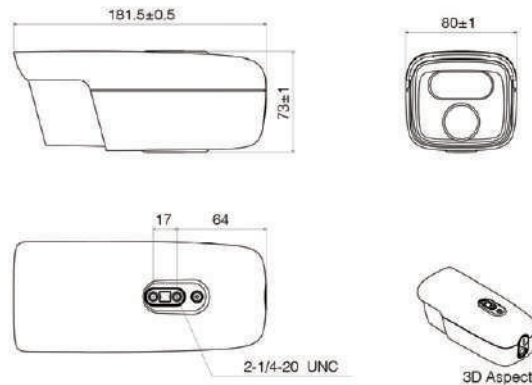
- Industrial IR LED with long operational lifespan
- 30 ~ 50m IR distance
- Smart IR function

Abundant Functions and Features

- Dual-stream (960p+D1)
- IP66

Dimensions

Units:mm



Specifications

	LC2150-BN-D(IR2, IR3, IR4, IR5, IR6)
Camera	
Image Sensor	1/3" progressive scan CMOS
Pixels	1.3 Megapixel
Min. Illumination	Color: 0.01lux @ (F1.6, AGC ON) B/W: 0lux with IR
Shutter Speed	1/10 ~ 1/10,000s
Day / Night	Auto (ICR) / Color / B/W
Wide Dynamic Range	Digital WDR
S/N Ratio	> 50dB
White Balance	Auto / Manual
Gain Control	Auto / Manual
Backlight Compensation	Off / BLC / WDR
Lens	
Mount Type	M12
Focal Length	3.6mm (IR2) / 6mm (IR3) / 8mm (IR4) / 12mm (IR5) / 16mm (IR6)
Angle of View	76.2° (IR2) / 46.3° (IR3) / 35.6° (IR4) / 22.8° (IR5) / 16.9° (IR6)
Infrared	
IR LED	1 pc IR LED(IR2, IR3, IR4) 2 pcs IR LED(IR5, IR6)
IR Distance	30m (IR2, IR3, IR4) 50m (IR5, IR6)
IR Intensity	Smart IR
Video	
Compression	H.264
Image Resolution	Main stream: 960p Secondary stream: D1
Frame Rate	Main stream: 960p@30fps Secondary stream: D1@30fps
Bitrate	64kbps ~ 8Mbps
Bitrate Control	VBR / CBR
Dual-stream	Supported
Caption	Date and time / Alarm / Customized
Privacy Masking	Up to 4 zones
Motion Detection	Up to 4 zones
Video Freeze	Supported
Digital Noise Reduction	3D noise reduction
Image Flip	Flip / Mirror
Network	
Network Protocols	TCP/IP, UDP, HTTP, DHCP, DNS/DDNS, RTP/RTCP, RTSP, PPPoE, FTP, VSIP, UPnP, 802.1x, IPv4, IPv6 (optional)
User Interface	IPC Control (IE, Firefox, Chrome)
Max. User Access	Max. 10 Users (includes 2 internal)
Application Programming	ONVIF (Profile S), GB/T 28181-2011, API, CGI
Alarm	
Alarm Triggers	Motion detection
Alarm Events	Alarm caption / Snapshot
Interfaces	
Ethernet	10/100M, RJ45 interface
Environmental	
Operating Temperature	-30°C ~ 60°C / -22°F ~ 140°F
Operating Humidity	10% ~ 95%
Protection Level	IP66
Electrical	
Power	12V DC ± 10%
Power Consumption	Max. 11W
Mechanical	
Weight	1 kg / 2.2lb (Gross Weight)
Dimensions	181.5 x 80 x 73mm / 7.15" x 3.15" x 2.87"

IPC2152-AN

1.3MP HD Network IR Bullet Camera



Features

Excellent Image Quality

- 1.3 Megapixel 1/3" progressive scan CMOS sensor
- High definition and smooth picture, 960p@30fps
- H.264 high profile video codec, saves up to 30% bandwidth and storage
- Low illumination, 0.01lux with color picture
- WDR support / 3D noise reduction

Integrated High Efficiency IR

- Industrial IR LED with long operational lifespan
- 30 ~ 50m IR distance
- Smart IR function

A Variety of Installation Modes

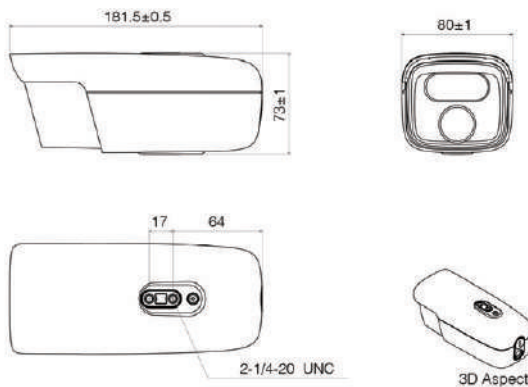
- Supports 90°, 180°, 270° image rotation

Abundant Functions and Features

- TF card slot, supports Automatic Network Replenishment (ANR)
- Up to 3 Multi-stream
- Bi-directional audio / alarm in and out / video out / RS485
- PoE
- IP66

Dimensions

Units:mm



Specifications

	IPC2152-AN(-IR2, -IR3, -IR4, -IR5, -IR6)
Camera	
Image Sensor	1/3" progressive scan CMOS
Pixels	1.3 Megapixel
Min. Illumination	Color: 0.01lux @ (F1.6, AGC ON) B/W: 0lux with IR
Shutter Speed	1/10 ~ 1/10,000s
Day / Night	Auto (ICR) / Color / B/W
Wide Dynamic Range	Digital WDR
S/N Ratio	> 52dB
White Balance	Auto / Manual
Gain Control	Auto / Manual
Backlight Compensation	Off / BLC / WDR
Lens	
Mount Type	M12
Focal Length	3.6mm (-IR2) / 6mm (-IR3) / 8mm (-IR4) / 12mm (-IR5) / 16mm (-IR6)
Angle of View	75.6° (-IR2) / 46.7° (-IR3) / 35.3° (-IR4) / 23° (-IR5) / 16.9° (-IR6)
Infrared	
IR LED	1 pc IR LED(-IR2, -IR3, -IR4) 2 pcs IR LED(-IR5, -IR6)
IR Distance	30m (-IR2, -IR3, -IR4) 50m (-IR5, -IR6)
IR Intensity	Smart IR
Video	
Compression	H.264 / MJPEG
Image Resolution	Main stream: 960p Secondary stream: D1
Frame Rate	Main stream: 960p@30fps Secondary stream: D1@30fps
Bitrate	32kbps ~ 16Mbps
Bitrate Control	VBR / CBR
Multi-stream	Supported
Caption	Date and time / Alarm / Customized
Privacy Masking	Up to 4 zones
Motion Detection	Up to 4 zones
Video Freeze	Supported
Digital Noise Reduction	3D noise reduction
Image Flip	Flip / Mirror / Rotation at 90°, 180°, 270°
Audio	
Compression	G.711a / G.711u / ADPCM / G.722 / AAC-LC
Bitrate	32kbps ~ 64kbps
Audio Function	Bi-directional audio / AEC / Mixed audio recording / Dumb / Mute
Network	
Network Protocols	TCP/IP, UDP, HTTP, DHCP, DNS/DDNS, RTP/RTCP, RTSP, PPPoE, FTP, VSIP, UPnP, 802.1x, IPv4, IPv6 (optional)
User Interface	IPC Control (IE, Firefox, Chrome)
Max. User Access	Max. 10 Users (includes 2 internal)
Application Programming	ONVIF (Profile S), GB/T 28181-2011, API, CGI
Automatic Network Replenishment (ANR)	Supported
Alarm	
Alarm Triggers	Motion detection / Shield area / Network disconnect / Disk full / Disk Error / Alarm input
Alarm Events	Alarm report / Recording / Alarm caption / Snapshot / External output
Interfaces	
Ethernet	10/100M, RJ45 interface
Audio In / Out	1 x Line in / 1 x Line out
Control	1 x RS485
Alarm In / Out	1 x Input / 1 x Output
Video Out	1 x BNC, 1.0V [p-p] / 75Ω
Memory Slot	TF card slot, supports up to 128GB
Environmental	
Operating Temperature	-30°C ~ 60°C / -22°F ~ 140°F
Operating Humidity	10% ~ 95%
Protection Level	IP66
Electrical	
Power	12V DC ± 10% / PoE (IEEE802.3af)
Power Consumption	Max. 11W
Mechanical	
Weight	1 kg / 2.2lb (Gross Weight)
Dimensions	181.5 x 80 x 73mm / 7.15" x 3.15" x 2.87"

IPC2152-HN-DIR

1.3MP HD Network IR Bullet Camera



Features

Excellent Image Quality

- 1.3 Megapixel 1/3" progressive scan CMOS sensor
- High definition and smooth picture, 960p@30fps
- H.265 video codec, saves up to 50% bandwidth and storage
- Low illumination, 0.01lux with color picture
- WDR / HLC / 3D noise reduction

Intelligent Functions

- Motion detection / Tampering / Guard line / Enter guard area / Exit guard area

Integrated High Efficiency IR

- Industrial IR LED with long operational lifespan
- 30 ~ 50m IR distance
- Smart IR function

A Variety of Installation Modes

- Supports 90°, 180°, 270° image rotation

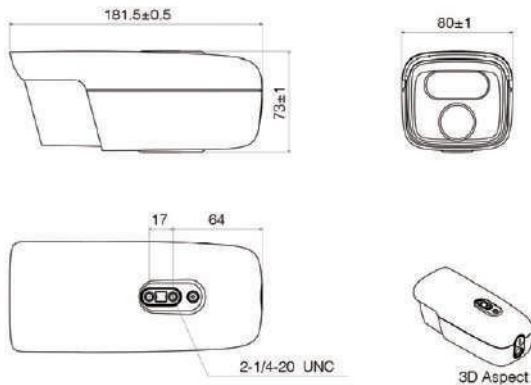
Abundant Functions and Features

- Dual-stream (960p + D1)
- Anti-fog glass
- -40°C ~ 70°C operation temperature
- IP66

Specifications

	IPC2152-HN-DIR
Camera	
Image Sensor	1/3" progressive scan CMOS
Pixels	1.3 Megapixel
Min. Illumination	Color: 0.01lux @ (F1.6, AGC ON) B/W: 0lux with IR
Shutter Speed	1 ~ 1/30,000s
Day / Night	Auto (ICR) / Color / B/W
Wide Dynamic Range	Digital WDR
S/N Ratio	>50dB
White Balance	Auto / Manual
Gain Control	Auto / Manual
Backlight Compensation	Off / WDR / BLC / HLC
Lens	
Mount Type	M12
Focal Length	3.6mm (-L0360) / 6mm (-L0600) / 8mm (-L0800) / 12mm (-L1200) / 16mm (-L1600)
Angle of View	78.6° (-L0360) / 53.2° (-L0600) / 36.8° (-L0800) / 23.7° (-L1200) / 17.8° (-L1600)
Infrared	
IR Distance	30m (-L0360, -L0600, -L0800) 50m (-L1200, -L1600)
IR Intensity	Smart IR
Video	
Compression	H.265 / H.264 / MJPEG
Image Resolution	Main stream: 960p Secondary stream: D1
Frame Rate	Main stream: 960p@30fps Secondary stream: D1@30fps
Bitrate	64kbps ~ 16Mbps
Bitrate Control	VBR / CBR
Dual-stream	Supported
Caption	Date and time / Alarm / Customized
Privacy Masking	Up to 4 zones
Motion Detection	Up to 4 zones
ROI	Supported
Digital Noise Reduction	3D noise reduction
Digital Defog	Supported
Image Flip	Flip / Mirror / Rotation 90°, 180°, 270°
Network	
Network Protocols	TCP/IP, UDP, HTTP, DHCP, DNS/DDNS, RTP/RTCP, RTSP, PPPoE, FTP, VSIP, UPnP, 802.1x, NAT, QoS, SMTP, IPv4, IPv6 (optional)
User Interface	IPC Control (IE, Firefox, Chrome)
Max. User Access	Max. 10 Users (includes 2 internal)
Application Programming	ONVIF (Profile S, Profile G), GB/T 28181-2011, API, CGI
Alarm	
Alarm Triggers	Network disconnect
Intelligent	Motion detection / Tampering / Guard line / Enter guard area / Exit guard area
Alarm Events	Alarm report / Text overlay / Email notice
Interfaces	
Ethernet	10/100M, RJ45 interface
Environmental	
Operating Temperature	-40°C ~ 70°C / -40°F ~ 158°F
Operating Humidity	10% ~ 95%
Protection Level	IP66
Electrical	
Power	12V DC ± 10% / External PoE (Optional)
Power Consumption	Max. 11W
Mechanical	
Weight	1 kg / 2.2lb (Gross Weight)
Dimensions	181.5 x 80 x 73mm / 7.15" x 3.15" x 2.87"

Dimensions Units:mm



IPC2252-HN-DIR

2.0MP HD Network IR Bullet Camera



Features

Excellent Image Quality

- 2.0 Megapixel 1/3" progressive scan CMOS sensor
- High definition and smooth picture, 1080p@30fps
- H.265 video codec, saves up to 50% bandwidth and storage
- Low illumination, 0.03lux with color picture
- WDR / HLC / 3D noise reduction

Intelligent Functions

- Motion detection / Tampering / Guard line / Enter guard area / Exit guard area

Integrated High Efficiency IR

- Industrial IR LED with long operational lifespan
- 30 ~ 50m IR distance
- Smart IR function

A Variety of Installation Modes

- Supports 90°, 180°, 270° image rotation

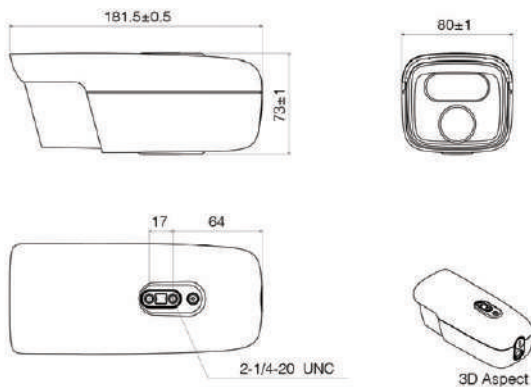
Abundant Functions and Features

- Dual-stream (1080p + D1)
- Anti-fog glass
- -40°C ~ 70°C operation temperature
- IP66

Specifications

	IPC2252-HN-DIR
Camera	
Image Sensor	1/3" progressive scan CMOS
Pixels	2.0 Megapixel
Min. Illumination	Color: 0.03lux @ (F1.6, AGC ON) B/W: 0lux with IR
Shutter Speed	1 ~ 1/30,000s
Day / Night	Auto (ICR) / Color / B/W
Wide Dynamic Range	Digital WDR
S/N Ratio	>50dB
White Balance	Auto / Manual
Gain Control	Auto / Manual
Backlight Compensation	Off / WDR / BLC / HLC
Lens	
Mount Type	M12
Focal Length	3.6mm (-L0360) / 6mm (-L0600) / 8mm (-L0800) / 12mm (-L1200) / 16mm (-L1600)
Angle of View	78.6° (-L0360) / 53.2° (-L0600) / 36.8° (-L0800) / 23.7° (-L1200) / 17.8° (-L1600)
Infrared	
IR Distance	30m (-L0360, -L0600, -L0800) 50m (-L1200, -L1600)
IR Intensity	Smart IR
Video	
Compression	H.265 / H.264 / MJPEG
Image Resolution	Main stream: 1080p Secondary stream: D1
Frame Rate	Main stream: 1080p@30fps Secondary stream: D1@30fps
Bitrate	64kbps ~ 16Mbps
Bitrate Control	VBR / CBR
Dual-stream	Supported
Caption	Date and time / Alarm / Customized
Privacy Masking	Up to 4 zones
Motion Detection	Up to 4 zones
ROI	Supported
Digital Noise Reduction	3D noise reduction
Digital Defog	Support
Image Flip	Flip / Mirror / Rotation at 90°, 180°, 270°
Network	
Network Protocols	TCP/IP, UDP, HTTP, DHCP, DNS/DDNS, RTP/RTCP, RTSP, PPPoE, FTP, VSIP, UPnP, 802.1x, NAT, QoS, SMTP, IPv4, IPv6 (optional)
User Interface	IPC Control (IE, Firefox, Chrome)
Max. User Access	Max. 10 Users (includes 2 internal)
Application Programming	ONVIF (Profile S, Profile G), GB/T 28181-2011, API, CGI
Alarm	
Alarm Triggers	Network disconnect
Intelligent	Motion detection / Tampering / Guard line / Enter guard area / Exit guard area
Alarm Events	Alarm report / Text overlay / Email notice
Interfaces	
Ethernet	10/100M, RJ45 interface
Environmental	
Operating Temperature	-40°C ~ 70°C / -40°F ~ 158°F
Operating Humidity	10% ~ 95%
Protection Level	IP66
Electrical	
Power	12V DC ± 10% / External PoE (Optional)
Power Consumption	Max. 11W
Mechanical	
Weight	1 kg / 2.2lb (Gross Weight)
Dimensions	181.5 x 80 x 73mm / 7.15" x 3.15" x 2.87"

Dimensions Units:mm



IPC2252-HN-PIR

2.0MP HD Network IR Bullet Camera



Features

Excellent Image Quality

- 2.0 Megapixel 1/3" Progressive Scan CMOS Sensor
- High definition and smooth picture, 1080p@30fps
- H.265 video codec, saves up to 50% bandwidth and storage
- Low illumination, 0.03lux with color picture
- WDR / HLC / 3D noise reduction

Intelligent Functions

- Motion detection / Tampering / Guard line / Enter guard area / Exit guard area

Integrated High Efficiency IR

- Industrial IR LED with long operational lifespan
- 30 ~ 50m IR distance
- Smart IR function

A Variety of Installation Modes

- Supports 90°, 180°, 270° image rotation

Abundant Functions and Features

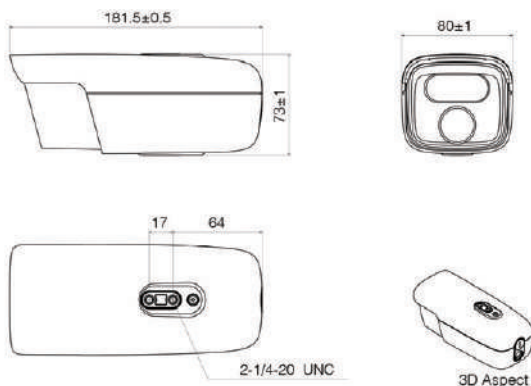
- TF card slot, support Automatic Network Replenishment (ANR)
- Dual-stream (1080p + D1)
- Anti-fog glass
- -40°C ~ 70°C operation temperature
- PoE
- IP66

Specifications

	IPC2252-HN-PIR
Camera	
Image Sensor	1/3" progressive scan CMOS
Pixels	2.0 Megapixel
Min. Illumination	Color: 0.03lux @ (F1.6, AGC ON) B/W: 0Lux with IR
Shutter Speed	1 ~ 1/30,000s
Day / Night	Auto (ICR) / Color / B/W
Wide Dynamic Range	Digital WDR
S/N Ratio	> 50dB
White Balance	Auto / Manual
Gain Control	Auto / Manual
Backlight Compensation	Off / WDR / BLC / HLC
Lens	
Mount Type	M12
Focal Length	3.6mm (-L0360) / 6mm (-L0600) / 8mm (-L0800) / 12mm (-L1200) / 16mm (-L1600)
Angle of View	78.6° (-L0360) / 53.2° (-L0600) / 36.8° (-L0800) / 23.7° (-L1200) / 17.8° (-L1600)
Infrared	
IR Distance	30m (-L0360, -L0600, -L0800)
IR Intensity	50m (-L1200, -L1600)
	Smart IR
Video	
Compression	H.265 / H.264 / MJPEG
Image Resolution	Main stream: 1080p Secondary stream: D1
Frame Rate	Main stream: 1080p@30fps Secondary stream: D1@30fps
Bitrate	64kbps ~ 16Mbps
Bitrate Control	VBR / CBR
Dual-stream	Supported
Caption	Date and time / Alarm / Customized
Privacy Masking	Up to 4 zones
Motion Detection	Up to 4 zones
ROI	Supported
Digital Noise Reduction	3D noise reduction
Digital Defog	Supported
Image Flip	Flip / Mirror / Rotation at 90°, 180°, 270°
Network	
Network Protocols	TCP/IP, UDP, HTTP, DHCP, DNS/DDNS, RTP/RTCP, RTSP, PPPoE, FTP, VSIP, UPnP, 802.1x, NAT, QoS, SMTP, IPv4, IPv6 (optional)
User Interface	IPC Control (IE, Firefox, Chrome)
Max. User Access	Max. 10 Users (includes 2 internal)
Application Programming	ONVIF (Profile S, Profile G), GB/T 28181-2011, API, CGI
Automatic Network Replenishment (ANR)	Supported
Alarm	
Alarm Triggers	Alarm input / Network disconnect / Disk full / Disk error
Intelligent	Motion detection / Tampering / Guard line / Enter guard area / Exit guard area
Alarm Events	Alarm report / Recording / Text overlay / Snapshot / External output / Email notice / Acoustic alarm
Interfaces	
Ethernet	10/100M, RJ45 interface
Memory Slot	TF card slot, supports up to 128GB
Environmental	
Operating Temperature	-40°C ~ 70°C / -40°F ~ 158°F
Operating Humidity	10% ~ 95%
Protection Level	IP66
Electrical	
Power	12V DC ± 10% / PoE (IEEE802.3af)
Power Consumption	Max. 11W
Mechanical	
Weight	1kg / 2.2lb (Gross Weight)
Dimensions	181.5 x 80 x 73mm / 7.15" x 3.15" x 2.87"

Dimensions

Units:mm



IPC2252-HN-SIR

2.0MP HD Network IR Bullet Camera



Features

Excellent Image Quality

- 2.0 Megapixel 1/3" progressive scan CMOS sensor
- High definition and smooth picture, 1080p@30fps
- H.265 video codec, saves up to 50% bandwidth and storage
- Low illumination, 0.03lux with color picture
- WDR / HLC / 3D noise reduction

Intelligent Functions

- Motion detection / Tampering / Guard line / Defocus / Scene change / Enter guard area / Exit guard area / Object left / Object removal / Gathering / Audio surge

Integrated High Efficiency IR

- Industrial IR LED with long operational lifespan
- 30 ~ 50m IR distance
- Smart IR function

A Variety of Installation Modes

- Supports 90°, 180°, 270° image rotation

Abundant Functions and Features

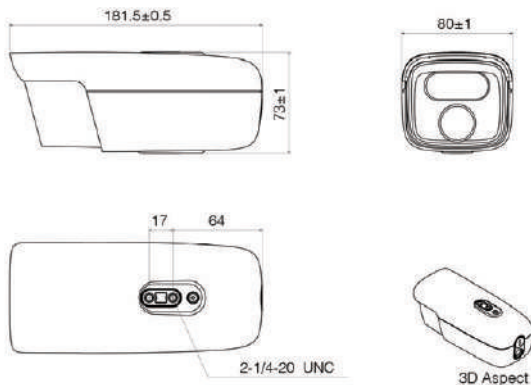
- TF card slot, supports Automatic Network Replenishment (ANR)
- Bi-directional audio / alarm in and out / video out / RS485
- 2 channel audio input simultaneously
- Dual-stream (1080p + D1)
- Anti-fog glass
- -40°C ~ 70°C operation temperature
- PoE
- IP66

Specifications

IPC2252-HN-SIR	
Camera	
Image Sensor	1/3" progressive scan CMOS
Pixels	2.0 Megapixel
Min. Illumination	Color: 0.03lux @ (F1.6, AGC ON) B/W: 0lux with IR
Shutter Speed	1 ~ 1/30,000s
Day / Night	Auto (ICR) / Color / B/W
Wide Dynamic Range	Digital WDR
S/N Ratio	> 50dB
White Balance	Auto / Manual
Gain Control	Auto / Manual
Backlight Compensation	Off / WDR / BLC / HLC
Lens	
Mount Type	M12
Focal Length	3.6mm (-L0360) / 6mm (-L0600) / 8mm (-L0800) / 12mm (-L1200) / 16mm (-L1600)
Angle of View	78.6° (-L0360) / 53.2° (-L0600) / 36.8° (-L0800) / 23.7° (-L1200) / 17.8° (-L1600)
Infrared	
IR Distance	30m (-L0360, -L0600, -L0800) 50m (-L1200, -L1600)
IR Intensity	Smart IR
Video	
Compression	H.265 / H.264 / MJPEG
Image Resolution	Main stream: 1080p Secondary stream: D1
Frame Rate	Main stream: 1080p@30fps Secondary stream: D1@30fps
Bitrate	64kbps ~ 16Mbps
Bitrate Control	VBR / CBR
Dual-stream	Supported
Caption	Date and time / Alarm / Customized
Privacy Masking	Up to 4 zones
Motion Detection	Up to 4 zones
ROI	Supported
Digital Noise Reduction	3D noise reduction
Digital Defog	Supported
Image Flip	Flip / Mirror / Rotation 90°, 180°, 270°
Audio	
Compression	G.711a / G.711u / ADPCM / G.722 / AAC-LC
Bitrate	32kbps ~ 64kbps
Audio Function	Bi-directional audio / AEC / Mixed audio recording / Dumb / Mute
Network	
Network Protocols	TCP/IP, UDP, HTTP, DHCP, DNS/DDNS, RTP/RTCP, RTSP, PPPoE, FTP, VSIP, UPnP, 802.1x, NAT, QoS, SMTP, IPv4, IPv6 (optional)
User Interface	IPC Control (IE, Firefox, Chrome)
Max. User Access	Max. 10 Users (includes 2 internal)
Application Programming	ONVIF (Profile S, Profile G), GB/T 28181-2011, API, CGI
Automatic Network Replenishment (ANR)	Supported
Alarm	
Alarm Triggers	Alarm input / Network disconnect / Disk full / Disk error
Intelligent	Motion detection / Tampering / Guard line / Defocus / Scene change / Enter guard area / Exit guard area / Object left / Object removal / Gathering / Audio surge
Alarm Events	Alarm report / Recording / Text overlay / Snapshot / External output / Email notice / Acoustic alarm
Interfaces	
Ethernet	10/100M, RJ45 interface
Audio In / Out	2 x Line in / 1 x Line out
Control	1 x RS485
Alarm In / Out	1 x Input / 1 x Output
Video Out	1 x BNC, 1.0V (p-p) / 75Ω
Memory Slot	TF card slot, supports up to 128GB
Environmental	
Operating Temperature	-40°C ~ 70°C / -40°F ~ 158°F
Operating Humidity	10% ~ 95%
Protection Level	IP66
Electrical	
Power	12V DC ± 10% / PoE (IEEE802.3af)
Power Consumption	Max. 11W
Mechanical	
Weight	1 kg / 2.2lb (Gross Weight)
Dimensions	181.5 x 80 x 73mm / 7.15" x 3.15" x 2.87"

Dimensions

Units:mm



IPC2452-HN-DIR

4.0MP HD Network IR Bullet Camera



Features

Excellent Image Quality

- 4.0 Megapixel 1/3" progressive scan CMOS sensor
- High definition and smooth picture, 2592x1520@20fps, 2048x1520@25fps, 1080p@30fps
- H.265 video codec, saves up to 50% bandwidth and storage
- Low illumination, 0.05lux with color picture
- WDR / HLC / 3D noise reduction

Intelligent Functions

- Motion detection / Tampering / Guard line / Enter guard area / Exit guard area

Integrated High Efficiency IR

- Industrial IR LED with long operational lifespan
- 30 ~ 50m IR distance
- Smart IR function

A Variety of Installation Modes

- Supports 90°, 180°, 270° image rotation

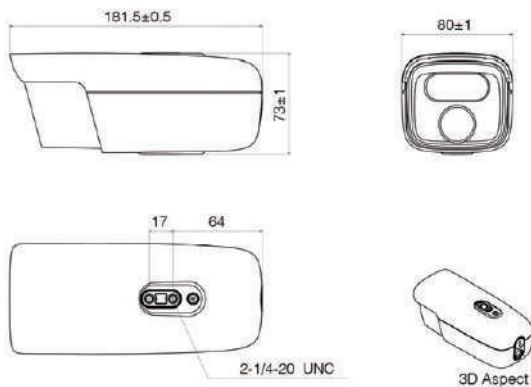
Abundant Functions and Features

- Dual-stream (2592x1520 + D1)
- Anti-fog glass
- -40°C ~ 70°C operation temperature
- IP66

Specifications

	IPC2452-HN-DIR
Camera	
Image Sensor	1/3" progressive scan CMOS
Pixels	4.0 Megapixel
Min. Illumination	Color: 0.05lux @ (F1.6, AGC ON) B/W: 0lux with IR
Shutter Speed	1 ~ 1/30,000s
Day / Night	Auto (ICR) / Color / B/W
Wide Dynamic Range	Digital WDR
S/N Ratio	> 50dB
White Balance	Auto / Manual
Gain Control	Auto / Manual
Backlight Compensation	Off / WDR / BLC / HLC
Lens	
Mount Type	M12
Focal Length	3.6mm (-L0360) / 6mm (-L0600) / 8mm (-L0800) / 12mm (-L1200) / 16mm (-L1600)
Angle of View	78.6° (-L0360) / 53.2° (-L0600) / 36.8° (-L0800) / 23.7° (-L1200) / 17.8° (-L1600)
Infrared	
IR Distance	30m (-L0360, -L0600, -L0800)
IR Intensity	50m (-L1200, -L1600)
	Smart IR
Video	
Compression	H.265 / H.264 / MJPEG
Image Resolution	Main stream: 2592x1520 Secondary stream: D1
Frame Rate	Main stream: 2592x1520@20fps, 2048x1520@25fps, 1080p@30fps Secondary stream: D1@30fps
Bitrate	64kbps ~ 16Mbps
Bitrate Control	VBR / CBR
Dual-stream	Supported
Caption	Date and time / Alarm / Customized
Privacy Masking	Up to 4 zones
Motion Detection	Up to 4 zones
ROI	Supported
Digital Noise Reduction	3D noise reduction
Digital Defog	Supported
Image Flip	Flip / Mirror / Rotation 90°, 180°, 270°
Network	
Network Protocols	TCP/IP, UDP, HTTP, DHCP, DNS/DDNS, RTP/RTCP, RTSP, PPPoE, FTP, VSIP, UPnP, 802.1x, NAT, QoS, SMTP, IPv4, IPv6 (optional)
User Interface	IPC Control (IE, Firefox, Chrome)
Max. User Access	Max. 10 Users (includes 2 internal)
Application Programming	ONVIF (Profile S, Profile G), GB/T 28181-2011, API, CGI
Alarm	
Alarm Triggers	Network disconnect
Intelligent	Motion detection / Tampering / Guard line / Enter guard area / Exit guard area
Alarm Events	Alarm report / Text overlay / Email notice
Interfaces	
Ethernet	10/100M, RJ45 interface
Environmental	
Operating Temperature	-40°C ~ 70°C / -40°F ~ 158°F
Operating Humidity	10% ~ 95%
Protection Level	IP66
Electrical	
Power	12V DC ± 10% / External PoE (Optional)
Power Consumption	Max. 11W
Mechanical	
Weight	1 kg / 2.2lb (Gross Weight)
Dimensions	181.5 x 80 x 73mm / 7.15" x 3.15" x 2.87"

Dimensions Units:mm



IPC2452-HN-PIR

4.0MP HD Network IR Bullet Camera



Features

Excellent Image Quality

- 4.0 Megapixel 1/3" progressive scan CMOS Sensor
- High definition and smooth picture, 2592x1520@20fps, 2048x1520@25fps, 1080p@30fps
- H.265 video codec, saves up to 50% bandwidth and storage
- Low illumination, 0.05lux with color picture
- WDR / HLC / 3D noise reduction

Intelligent Functions

- Motion detection / Tampering / Guard line / Enter guard area / Exit guard area

Integrated High Efficiency IR

- Industrial IR LED with long operational lifespan
- 30 ~ 50m IR distance
- Smart IR function

A Variety of Installation Modes

- Supports 90°, 180°, 270° image rotation

Abundant Functions and Features

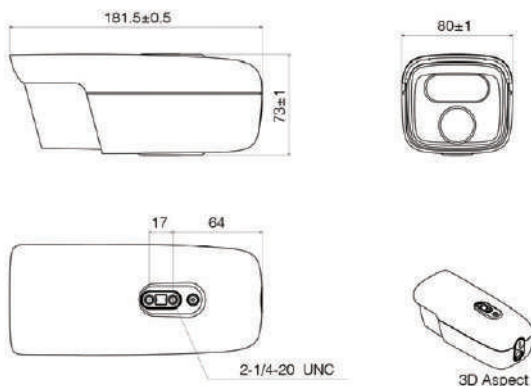
- TF card slot, supports Automatic Network Replenishment (ANR)
- Dual-stream (2592x1520 + D1)
- Anti-fog glass
- -40°C ~ 70°C operation temperature
- PoE
- IP66

Specifications

IPC2452-HN-PIR	
Camera	
Image Sensor	1/3" progressive scan CMOS
Pixels	4.0 Megapixel
Min. Illumination	Color: 0.05lux @ (F1.6, AGC ON) B/W: 0lux with IR
Shutter Speed	1 ~ 1/30,000s
Day / Night	Auto (ICR) / Color / B/W
Wide Dynamic Range	Digital WDR
S/N Ratio	>50dB
White Balance	Auto / Manual
Gain Control	Auto / Manual
Backlight Compensation	Off / WDR / BLC / HLC
Lens	
Mount Type	M12
Focal Length	3.6mm (-L0360) / 6mm (-L0600) / 8mm (-L0800) / 12mm (-L1200) / 16mm (-L1600)
Angle of View	78.6° (-L0360) / 53.2° (-L0600) / 36.8° (-L0800) / 23.7° (-L1200) / 17.8° (-L1600)
Infrared	
IR Distance	30m (-L0360, -L0600, -L0800) 50m (-L1200, -L1600)
IR Intensity	Smart IR
Video	
Compression	H.265 / H.264 / MJPEG
Image Resolution	Main stream: 2592x1520 Secondary stream: D1
Frame Rate	Main stream: 2592x1520@20fps, 2048x1520@25fps, 1080p@30fps Secondary stream: D1@30fps
Bitrate	64kbps ~ 16Mbps
Bitrate Control	VBR / CBR
Dual-stream	Supported
Caption	Date and time / Alarm / Customized
Privacy Masking	Up to 4 zones
Motion Detection	Up to 4 zones
ROI	Supported
Digital Noise Reduction	3D noise reduction
Digital Defog	Supported
Image Flip	Flip / Mirror / Rotation at 90°, 180°, 270°
Network	
Network Protocols	TCP/IP, UDP, HTTP, DHCP, DNS/DDNS, RTP/RTCP, RTSP, PPPoE, FTP, VSIP, UPnP, 802.1x, NAT, QoS, SMTP, IPv4, IPv6 (optional)
User Interface	IPC Control (IE, Firefox, Chrome)
Max. User Access	Max. 10 Users (includes 2 internal)
Application Programming	ONVIF (Profile S, Profile G), GB/T 28181-2011, API, CGI
Automatic Network Replenishment (ANR)	Supported
Alarm	
Alarm Triggers	Alarm input / Network disconnect / Disk full / Disk error
Intelligent	Motion detection / Tampering / Guard line / Enter guard area / Exit guard area
Alarm Events	Alarm report / Recording / Text overlay / Snapshot / External output / Email notice / Acoustic alarm
Interfaces	
Ethernet	i10/100M, RJ45 interface
Memory Slot	TF card slot, supports up to 128GB
Environmental	
Operating Temperature	-40°C ~ 70°C / -40°F ~ 158°F
Operating Humidity	10% ~ 95%
Protection Level	IP66
Electrical	
Power	12V DC ± 10% / PoE (IEEE802.3af)
Power Consumption	Max. 11W
Mechanical	
Weight	1kg / 2.2lb (Gross Weight)
Dimensions	181.5 x 80 x 73mm / 7.15" x 3.15" x 2.87"

Dimensions

Units:mm



IPC2452-HN-SIR

4.0MP HD Network IR Bullet Camera



Features

Excellent Image Quality

- 4.0 Megapixel 1/3" progressive scan CMOS sensor
- High definition and smooth picture, 2592x1520@20fps, 2048x1520@25fps, 1080p@30fps
- H.265 video codec, saves up to 50% bandwidth and storage
- Low illumination, 0.05lux with color picture
- WDR / HLC / 3D noise reduction

Intelligent Functions

- Motion detection / Tampering / Guard line / Defocus / Scene change / Enter guard area / Exit guard area / Object left / Object removal / Gathering / Audio surg

Integrated High Efficiency IR

- Industrial IR LED with long operational lifespan
- 30 ~ 50m IR distance
- Smart IR function

A Variety of Installation Modes

- Supports 90°, 180°, 270° image rotation

Abundant Functions and Features

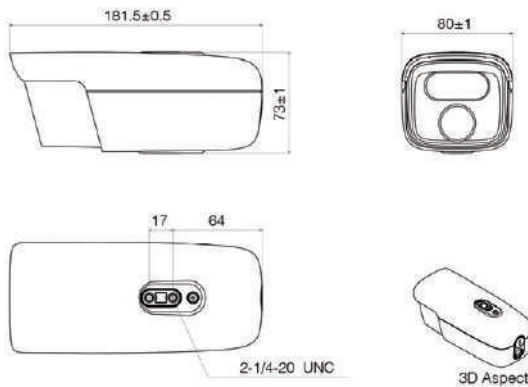
- TF card slot, support Automatic Network Replenishment (ANR)
- Bi-directional audio / alarm in and out / video out / RS485
- 2 channel audio input simultaneously
- Dual-stream (2592x1520 + D1)
- Anti-fog glass
- -40°C ~ 70°C operation temperature
- PoE
- IP66

Specifications

	IPC2452-HN-SIR
Camera	
Image Sensor	1/3" progressive scan CMOS
Pixels	4.0 Megapixel
Min. Illumination	Color: 0.05lux @ (F1.6, AGC ON) B/W: 0lux with IR
Shutter Speed	1 ~ 1/30,000s
Day / Night	Auto (ICR) / Color / B/W
Wide Dynamic Range	Digital WDR
S/N Ratio	> 50dB
White Balance	Auto / Manual
Gain Control	Auto / Manual
Backlight Compensation	Off / WDR / BLC / HLC
Lens	
Mount Type	M12
Focal Length	3.6mm (-L0360) / 6mm (-L0600) / 8mm (-L0800) / 12mm (-L1200) / 16mm (-L1600)
Angle of View	78.6° (-L0360) / 53.2° (-L0600) / 36.8° (-L0800) / 23.7° (-L1200) / 17.8° (-L1600)
Infrared	
IR Distance	30m (-L0360, -L0600, -L0800) 50m (-L1200, -L1600)
IR Intensity	Smart IR
Video	
Compression	H.265 / H.264 / MJPEG
Image Resolution	Main stream: 2592x1520 Secondary stream: D1
Frame Rate	Main stream: 2592x1520@20fps, 2048x1520@25fps, 1080p@30fps Secondary stream: D1@30fps
Bitrate	64kbps ~ 16Mbps
Bitrate Control	VBR / CBR
Dual-stream	Supported
Caption	Date and time / Alarm / Customized
Privacy Masking	Up to 4 zones
Motion Detection	Up to 4 zones
ROI	Supported
Digital Noise Reduction	3D noise reduction
Digital Defog	Supported
Image Flip	Flip / Mirror / Rotation 90°, 180°, 270°
Audio	
Compression	G.711a / G.711u / ADPCM / G.722 / AAC-LC
Bitrate	32kbps ~ 64kbps
Audio Function	Bi-directional audio / AEC / Mixed audio recording / Dumb / Mute
Network	
Network Protocols	TCP/IP, UDP, HTTP, DHCP, DNS/DDNS, RTP/RTCP, RTSP, PPPoE, FTP, VSIP, UPnP, 802.1x, NAT, QoS, SMTP, IPv4, IPv6 (optional)
User Interface	IPC Control (IE, Firefox, Chrome)
Max. User Access	Max. 10 Users (includes 2 internal)
Application Programming	ONVIF (Profile S, Profile G), GB/T 28181-2011, API, CGI
Automatic Network Replenishment (ANR)	Supported
Alarm	
Alarm Triggers	Alarm input / Network disconnect / Disk full / Disk error
Intelligent	Motion detection / Tampering / Guard line / Defocus / Scene change / Enter guard area / Exit guard area / Object left / Object removal / Gathering / Audio surge
Alarm Events	Alarm report / Recording / Text overlay / Snapshot / External output / Email notice / Acoustic alarm
Interfaces	
Ethernet	10/100M, RJ45 interface
Audio In / Out	2 x Line in / 1 x Line out
Control	1 x RS485
Alarm In / Out	1 x Input / 1 x Output
Video Out	1 x BNC, 1.0V [p-p] / 75Ω
Memory Slot	TF card slot, supports up to 128GB
Environmental	
Operating Temperature	-40°C ~ 70°C / -40°F ~ 158°F
Operating Humidity	10% ~ 95%
Protection Level	IP66
Electrical	
Power	12V DC ± 10% / PoE (IEEE802.3af)
Power Consumption	Max. 11W
Mechanical	
Weight	1 kg / 2.2lb (Gross Weight)
Dimensions	181.5 x 80 x 73mm / 7.15" x 3.15" x 2.87"

Dimensions

Units:mm



IPC2252-HN-PIR50-Z2812

2.0MP HD Network Varifocal IR Bullet Camera



Features

Excellent Image Quality

- 2.0 Megapixel 1/3" progressive scan CMOS Sensor
- High definition and smooth picture, 1080p@30fps
- H.265 video codec, saves up to 50% bandwidth and storage
- Low illumination, 0.03lux with color picture
- WDR / HLC / 3D noise reduction

Intelligent Functions

- Motion detection / Tampering / Guard line / Enter guard area / Exit guard area

Integrated High Efficiency IR

- Industrial IR LED with long operational lifespan
- 30 ~ 50m IR distance
- Smart IR function

A Variety of Installation Modes

- Supports 90°, 180°, 270° image rotation
- Motorized varifocal lens

Abundant Functions and Features

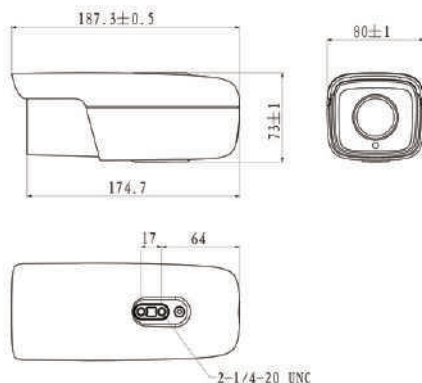
- TF card slot, support Automatic Network Replenishment (ANR)
- Up to 3 video streams
- Anti-fog with heating glass
- -40°C ~ 70°C operation temperature
- PoE
- IP66

Specifications

	IPC2252-HN-PIR50-Z2812
Camera	
Image Sensor	1/3" progressive scan CMOS
Pixels	2.0 Megapixel
Min. Illumination	Color: 0.03lux @ (F1.6, AGC ON) B/W: 0lux with IR
Shutter Speed	1 ~ 1/30,000s
Day / Night	Auto (ICR) / Color / B/W
Wide Dynamic Range	Digital WDR
S/N Ratio	>50dB
White Balance	Auto / Manual
Gain Control	Auto / Manual
Backlight Compensation	Off / WDR / BLC / HLC
Lens	
Mount Type	Ø14
Auto Iris	DC drive
Focal Length	2.8-12mm @ F1.6 motorized varifocal lens
Focus Control	Manual / Semi-Automatic / Auto
Angle of View	95° ~ 38°
Infrared	
IR Distance	30 ~ 50m
IR Intensity	Smart IR
Video	
Compression	H.265 / H.264 / MJPEG
Image Resolution	Main stream: 1080p Secondary stream: D1
Frame Rate	Main stream: 1080p@30fps Secondary stream: D1@30fps
Bitrate	32kbps ~ 16Mbps
Bitrate Control	VBR / CBR
Multi-stream	Supported
Caption	Date and time / Alarm / Customized
Privacy Masking	Up to 4 zones
Motion Detection	Up to 4 zones
ROI	Supported
Digital Noise Reduction	3D noise reduction
Digital Defog	Supported
Image Flip	Flip / Mirror / Rotation at 90°, 180°, 270°
Network	
Network Protocols	TCP/IP, UDP, HTTP, DHCP, DNS/DDNS, RTP/RTCP, RTSP, PPPoE, FTP, VSIP, UPnP, 802.1x, NAT, QoS, SMTP, IPv4, IPv6 (optional)
User Interface	IPC Control (IE, Firefox, Chrome)
Max. User Access	Max. 10 Users (includes 2 internal)
Application Programming	ONVIF (Profile S, Profile G), GB/T 28181-2011, API, CGI
Automatic Network Replenishment (ANR)	Supported
Alarm	
Alarm Triggers	Alarm input / Network disconnect / Disk full / Disk error
Intelligent	Motion detection / Tampering / Guard line / Enter guard area / Exit guard area
Alarm Events	Alarm report / Recording / Text overlay / Snapshot / External output / Email notice / Acoustic alarm
Interfaces	
Ethernet	10/100M, RJ45 interface
Memory Slot	TF card slot, supports up to 128GB
Environmental	
Operating Temperature	-40°C ~ 70°C / -40°F ~ 158°F
Operating Humidity	10% ~ 95%
Protection Level	IP66
Electrical	
Power	12V DC ± 10% / PoE (IEEE802.3af)
Power Consumption	Max. 11W
Mechanical	
Weight	1kg / 2.2lb (Gross Weight)
Dimensions	187.3 x 80 x 73mm / 7.37" x 3.15" x 2.87"
Mounting Bracket	Bracket included

Dimensions

Units:mm



IPC2252-HN-SIR50-Z2812

2.0MP HD Network Varifocal IR Bullet Camera



Features

Excellent Image Quality

- 2.0 Megapixel 1/3" progressive scan CMOS sensor
- High definition and smooth picture, 1080p@30fps
- H.265 video codec, saves up to 50% bandwidth and storage
- Low illumination, 0.03lux with color picture
- WDR / HLC / 3D noise reduction

Intelligent Functions

- Motion detection / Tampering / Guard line / Defocus / Scene change / Enter guard area / Exit guard area / Object left / Object removal / Gathering / Audio surge

Integrated High Efficiency IR

- Industrial IR LED with long operational lifespan
- 30 ~ 50m IR distance
- Smart IR function

A Variety of Installation Modes

- Supports 90°, 180°, 270° image rotation
- Motorized varifocal lens

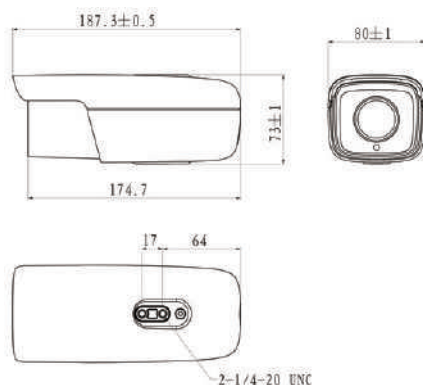
Abundant Functions and Features

- TF card slot, support Automatic Network Replenishment (ANR)
- Bi-directional audio / alarm in and out / video out / RS485
- 2 channel audio input simultaneously
- Up to 3 Multi-stream
- Anti-fog with heating glass
- -40°C ~ 70°C operation temperature
- PoE
- IP66

Specifications

IPC2252-HN-SIR50-Z2812	
Camera	
Image Sensor	1/3" progressive scan CMOS
Pixels	2.0 Megapixel
Min. Illumination	Color: 0.03lux @ (F1.6, AGC ON) B/W: 0lux with IR
Shutter Speed	1 ~ 1/30,000s
Day / Night	Auto (ICR) / Color / B/W
Wide Dynamic Range	Digital WDR
S/N Ratio	> 50dB
White Balance	Auto / Manual
Gain Control	Auto / Manual
Backlight Compensation	Off / WDR / BLC / HLC
Lens	
Mount Type	Ø14
Auto Iris	DC drive
Focal Length	2.8-12mm @ F1.6 motorized varifocal lens
Focus Control	Manual / Semi-Automatic / Auto
Angle of View	95° ~ 38°
Infrared	
IR Distance	30 ~ 50m
IR Intensity	Smart IR
Video	
Compression	H.265 / H.264 / MJPEG
Image Resolution	Main stream: 1080p Secondary stream: D1
Frame Rate	Main stream: 1080p@30fps Secondary stream: D1@30fps
Bitrate	32kbps ~ 16Mbps
Bitrate Control	VBR / CBR
Multi-stream	Supported
Caption	Date and time / Alarm / Customized
Privacy Masking	Up to 4 zones
Motion Detection	Up to 4 zones
ROI	Supported
Digital Noise Reduction	3D noise reduction
Digital Defog	Supported
Image Flip	Flip / Mirror / Rotation 90°, 180°, 270°
Audio	
Compression	G.711a / G.711u / ADPCM / G.722 / AAC-LC / G.722.1c / G.726
Bitrate	32kbps ~ 64kbps
Audio Function	Bi-directional audio / AEC / Mixed audio recording / Dumb / Mute
Network	
Network Protocols	TCP/IP, UDP, HTTP, DHCP, DNS/DDNS, RTP/RTCP, RTSP, PPPoE, FTP, VSIP, UPnP, 802.1x, NAT, QoS, SMTP, IPv4, IPv6 (optional)
User Interface	IPC Control (IE, Firefox, Chrome)
Max. User Access	Max. 10 Users (includes 2 internal)
Application Programming	ONVIF (Profile S, Profile G), GB/T 28181-2011, API, CGI
Automatic Network Replenishment (ANR)	Supported
Alarm	
Alarm Triggers	Alarm input / Network disconnect / Disk full / Disk error
Intelligent	Motion detection / Tampering / Guard line / Defocus / Scene change / Enter guard area / Exit guard area / Object left / Object removal / Gathering / Audio surge
Alarm Events	Alarm report / Recording / Text overlay / Snapshot / External output / Email notice / Acoustic alarm
Interfaces	
Ethernet	10/100M, RJ45 interface
Audio In / Out	2 x Line in / 1 x Line out
Control	1 x RS485
Alarm In / Out	1 x Input / 1 x Output
Video Out	1 x BNC, 1.0V [p-p] / 75Ω
Memory Slot	TF card slot, supports up to 128GB
Environmental	
Operating Temperature	-40°C ~ 70°C / -40°F ~ 158°F
Operating Humidity	10% ~ 95%
Protection Level	IP66
Electrical	
Power	12V DC ± 10% / PoE (IEEE802.3af)
Power Consumption	Max. 11W
Mechanical	
Weight	1 kg / 2.2lb (Gross Weight)
Dimensions	187.3 x 80 x 73mm / 7.37" x 3.15" x 2.87"
Mounting Bracket	Bracket included

Dimensions Units:mm



IPC2452-HN-PIR50-Z2812

4.0MP HD Network Varifocal IR Bullet Camera



Features

Excellent Image Quality

- 4.0 Megapixel 1/3" progressive scan CMOS Sensor
- High definition and smooth picture, 2592x1520@20fps, 2048x1520@25fps, 1080p@30fps
- H.265 video codec, saves up to 50% bandwidth and storage
- Low illumination, 0.05lux with color picture
- WDR / HLC / 3D noise reduction

Intelligent Functions

- Motion detection / Tampering / Guard line / Enter guard area / Exit guard area

Integrated High Efficiency IR

- Industrial IR LED with long operational lifespan
- 30 ~ 50m IR distance
- Smart IR function

A Variety of Installation Modes

- Supports 90°, 180°, 270° image rotation
- Motorized varifocal lens

Abundant Functions and Features

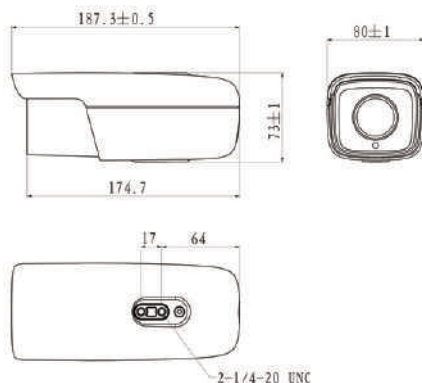
- TF card slot, supports Automatic Network Replenishment (ANR)
- Up to 3 video streams
- Anti-fog with heating glass
- -40°C ~ 70°C operation temperature
- PoE
- IP66

Specifications

	IPC2452-HN-PIR50-Z2812
Camera	
Image Sensor	1/3" progressive scan CMOS
Pixels	4.0 Megapixel
Min. Illumination	Color: 0.05lux @ (F1.6, AGC ON) B/W: 0lux with IR
Shutter Speed	1 ~ 1/30,000s
Day / Night	Auto (ICR) / Color / B/W
Wide Dynamic Range	Digital WDR
S/N Ratio	> 50dB
White Balance	Auto / Manual
Gain Control	Auto / Manual
Backlight Compensation	Off / WDR / BLC / HLC
Lens	
Mount Type	Ø14
Auto Iris	DC drive
Focal Length	2.8-12mm @ F1.6 motorized varifocal lens
Focus Control	Manual / Semi-Automatic / Auto
Angle of View	95° ~ 38°
Infrared	
IR Distance	30 ~ 50m
IR Intensity	Smart IR
Video	
Compression	H.265 / H.264 / MJPEG
Image Resolution	Main stream: 2592x1520 Secondary stream: D1
Frame Rate	Main stream: 2592x1520@20fps, 2048x1520@25fps, 1080p@30fps Secondary stream: D1@30fps
Bitrate	32kbps ~ 16Mbps
Bitrate Control	VBR / CBR
Multi-stream	Supported
Caption	Date and time / Alarm / Customized
Privacy Masking	Up to 4 zones
Motion Detection	Up to 4 zones
ROI	Supported
Digital Noise Reduction	3D noise reduction
Digital Defog	Supported
Image Flip	Flip / Mirror / Rotation at 90°, 180°, 270°
Network	
Network Protocols	TCP/IP, UDP, HTTP, DHCP, DNS/DDNS, RTP/RTCP, RTSP, PPPoE, FTP, VSIP, UPnP, 802.1x, NAT, QoS, SMTP, IPv4, IPv6 (optional)
User Interface	IPC Control (IE, Firefox, Chrome)
Max. User Access	Max. 10 Users (includes 2 internal)
Application Programming	ONVIF (Profile S, Profile G), GB/T 28181-2011, API, CGI
Automatic Network Replenishment (ANR)	Supported
Alarm	
Alarm Triggers	Alarm input / Network disconnect / Disk full / Disk error
Intelligent	Motion detection / Tampering / Guard line / Enter guard area / Exit guard area
Alarm Events	Alarm report / Recording / Text overlay / Snapshot / External output / Email notice / Acoustic alarm
Interfaces	
Ethernet	10/100M, RJ45 interface
Memory Slot	TF card slot, supports up to 128GB
Environmental	
Operating Temperature	-40°C ~ 70°C / -40°F ~ 158°F
Operating Humidity	10% ~ 95%
Protection Level	IP66
Electrical	
Power	12V DC ± 10% / PoE (IEEE802.3af)
Power Consumption	Max. 11W
Mechanical	
Weight	1kg / 2.2lb (Gross Weight)
Dimensions	187.3 x 80 x 73mm / 7.37" x 3.15" x 2.87"
Mounting Bracket	Bracket included

Dimensions

Units:mm



IPC2452-HN-SIR50-Z2812

4.0MP HD Network Varifocal IR Bullet Camera



Features

Excellent Image Quality

- 4.0 Megapixel 1/3" progressive scan CMOS sensor
- High definition and smooth picture, 2592×1520@20fps, 2048×1520@25fps, 1080p@30fps
- H.265 video codec, saves up to 50% bandwidth and storage
- Low illumination, 0.05lux with color picture
- WDR / HLC / 3D noise reduction

Intelligent Functions

- Motion detection / Tampering / Guard line / Defocus / Scene change / Enter guard area / Exit guard area / Object left / Object removal / Gathering / Audio surge

Integrated High Efficiency IR

- Industrial IR LED with long operational lifespan
- 30 ~ 50m IR distance
- Smart IR function

A Variety of Installation Modes

- Supports 90°, 180°, 270° image rotation
- Motorized varifocal lens

Abundant Functions and Features

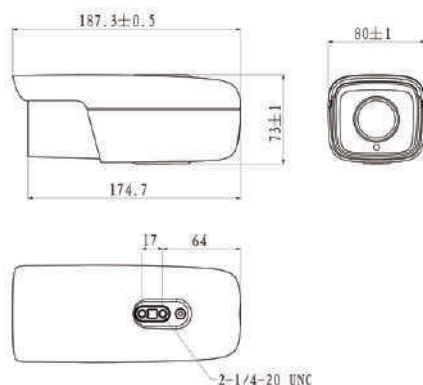
- TF card slot, support Automatic Network Replenishment (ANR)
- Bi-directional audio / alarm in and out / video out / RS485
- 2 channel audio input simultaneously
- Up to 3 Multi-stream
- Anti-fog with heating glass
- -40°C ~ 70°C operation temperature
- PoE
- IP66

Specifications

	IPC2452-HN-SIR50-Z2812
Camera	
Image Sensor	1/3" progressive scan CMOS
Pixels	4.0 Megapixel
Min. Illumination	Color: 0.05lux @ (F1.6, AGC ON) B/W: 0lux with IR
Shutter Speed	1 ~ 1/30,000s
Day / Night	Auto (ICR) / Color / B/W
Wide Dynamic Range	Digital WDR
S/N Ratio	> 50dB
White Balance	Auto / Manual
Gain Control	Auto / Manual
Backlight Compensation	Off / WDR / BLC / HLC
Lens	
Mount Type	Ø14
Auto Iris	DC drive
Focal Length	2.8-12mm @ F1.6 motorized varifocal lens
Focus Control	Manual / Semi-Automatic / Auto
Angle of View	95° ~ 38°
Infrared	
IR Distance	30 ~ 50m
IR Intensity	Smart IR
Video	
Compression	H.265 / H.264 / MJPEG
Image Resolution	Main stream: 2592×1520 Secondary stream: D1
Frame Rate	Main stream: 2592×1520@20fps, 2048×1520@25fps, 1080p@30fps Secondary stream: D1@30fps
Bitrate	32kbps ~ 16Mbps
Bitrate Control	VBR / CBR
Multi-stream	Supported
Caption	Date and time / Alarm / Customized
Privacy Masking	Up to 4 zones
Motion Detection	Up to 4 zones
ROI	Supported
Digital Noise Reduction	3D noise reduction
Digital Defog	Supported
Image Flip	Flip / Mirror / Rotation 90°, 180°, 270°
Audio	
Compression	G.711a / G.711u / ADPCM / G.722 / AAC-LC / G.722.1c / G.726
Bitrate	32kbps ~ 64kbps
Audio Function	Bi-directional audio / AEC / Mixed audio recording / Dumb / Mute
Network	
Network Protocols	TCP/IP, UDP, HTTP, DHCP, DNS/DDNS, RTP/RTCP, RTSP, PPPoE, FTP, VSIP, UPnP, 802.1x, NAT, QoS, SMTP, IPv4, IPv6 (optional)
User Interface	IPC Control (IE, Firefox, Chrome)
Max. User Access	Max. 10 Users (includes 2 internal)
Application Programming	ONVIF (Profile S, Profile G), GB/T 28181-2011, API, CGI
Automatic Network Replenishment (ANR)	Supported
Alarm	
Alarm Triggers	Alarm input / Network disconnect / Disk full / Disk error
Intelligent	Motion detection / Tampering / Guard line / Defocus / Scene change / Enter guard area / Exit guard area / Object left / Object removal / Gathering / Audio surge
Alarm Events	Alarm report / Recording / Text overlay / Snapshot / External output / Email notice / Acoustic alarm
Interfaces	
Ethernet	10/100M, RJ45 interface
Audio In / Out	2 x Line in / 1 x Line out
Control	1 x RS485
Alarm In / Out	1 x Input / 1 x Output
Video Out	1 x BNC, 1.0V [p-p] / 75Ω
Memory Slot	TF card slot, supports up to 128GB
Environmental	
Operating Temperature	-40°C ~ 70°C / -40°F ~ 158°F
Operating Humidity	10% ~ 95%
Protection Level	IP66
Electrical	
Power	12V DC ± 10% / PoE (IEEE802.3af)
Power Consumption	Max. 11W
Mechanical	
Weight	1 kg / 2.2lb (Gross Weight)
Dimensions	187.3 x 80 x 73mm / 7.37" x 3.15" x 2.87"
Mounting Bracket	Bracket included

Dimensions

Units:mm



IPC2151-AN/BN

1.3MP HD Network Varifocal IR Bullet Camera



Features

Excellent Image Quality

- 1.3 Megapixel 1/3" progressive scan CMOS sensor
- High definition and smooth picture, 960p@30fps
- H.264 high profile video codec, saves up to 30% bandwidth and storage
- Low illumination, 0.01lux with color picture
- WDR support / 3D noise reduction / Auto Iris

Integrated High Efficiency IR

- Industrial IR LED with long operational lifespan
- 30 ~ 50m IR distance
- Smart IR function

A Variety of Installation Modes

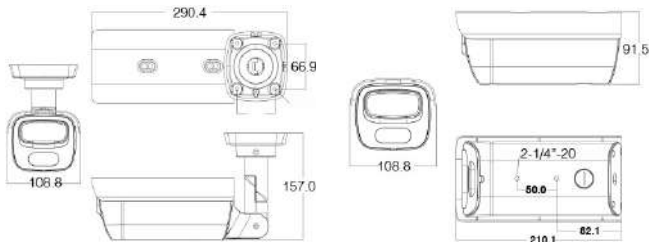
- Supports 90°, 180°, 270° image rotation
- Motorized varifocal lens

Abundant Functions and Features

- TF card slot, support Automatic Network Replenishment (ANR)
- Dual-stream (960p + D1)
- Bi-directional audio / alarm in and out / video out / RS485
- One click autofocus
- -40°C ~ 70°C operation temperature
- PoE
- IP66

Dimensions

Units:mm



Specifications

IPC2151-AN/BN-IR2	
Camera	
Image Sensor	1/3" progressive scan CMOS
Pixels	1.3 Megapixel
Min. Illumination	Color: 0.01lux @ (F1.4, AGC ON) B/W: 0lux with IR
Shutter Speed	1/10 ~ 1/10,000s
Day / Night	Auto (ICR) / Color / B/W
Wide Dynamic Range	Digital WDR
S/N Ratio	>50dB
White Balance	Auto / Manual
Gain Control	Auto / Manual
Backlight Compensation	Off / BLC / WDR
Lens	
Mount Type	φ14
Auto Iris	DC drive
Focal Length	2.8 ~ 12mm @ F1.4 motorized varifocal lens
Focus Control	Manual / Semi-Automatic
Angle of View	89.4° ~ 47.7°
Infrared	
IR LED	3pcs IR LED
IR Distance	30 ~ 50m
IR Intensity	Smart IR
Video	
Compression	H.264 / MJPEG
Image Resolution	Main stream: 960p Secondary stream: D1
Frame Rate	Main stream: 960p@30fps Secondary stream: D1@30fps
Bitrate	64kbps ~ 8Mbps
Bitrate Control	VBR / CBR
Dual-stream	Supported
Caption	Date and time / Alarm / Customized
Privacy Masking	Up to 4 zones
Motion Detection	Up to 4 zones
Video Freeze	Supported
Digital Noise Reduction	3D noise reduction
Image Flip	Flip / Mirror / Rotation at 90°, 180°, 270°
Audio	
Compression	G.711a / G.711u / ADPCM / G.722 / AAC-LC
Bitrate	32kbps ~ 64kbps
Audio Function	Bi-directional audio / AEC / Mixed audio recording / Dumb / Mute
Network	
Network Protocols	TCP/IP, UDP, HTTP, DHCP, DNS/DDNS, RTP/RTCP, RTSP, PPPoE, FTP, VSIP, IPv4, IPv6 (optional)
User Interface	IPC Control (IE)
Max. User Access	Max. 10 Users (includes 2 internal)
Application Programming	ONVIF (Profile S), GB/T 28181-2011, API, CGI
Automatic Network Replenishment (ANR)	Supported
Alarm	
Alarm Triggers	Motion detection / Alarm input
Alarm Events	Alarm caption / Snapshot / External output
Interfaces	
Ethernet	10/100M, RJ45 interface
Audio In / Out	1 x Line in / 1 x Line out
Control	1 x RS485
Alarm In / Out	1 x Input / 1 x Output
Video Out	1 x BNC, 1.0V [p-p] / 75Ω
Memory Slot	TF card slot, supports up to 128GB
Environmental	
Operating Temperature	-40°C ~ 70°C / -40°F ~ 158°F
Operating Humidity	10% ~ 95%
Protection level	IP66
Electrical	
Power	12V DC ± 10% / PoE (IEEE802.3af)
Power Consumption	Max. 15W
Mechanical	
Weight	-AN: 2.5 kg / 5.5lb (Gross Weight) -BN: 2 kg / 4.4lb (Gross Weight)
Dimensions	-AN: 290.4 × 108.8 × 157mm / 11.43" × 4.28" × 6.18" -BN: 210.1 × 108.8 × 91.5mm / 8.27" × 4.28" × 3.6"
Mounting Bracket	-AN: Bracket included -BN: Bracket not included

IPC2151-AN/BN-D

1.3MP HD Network Varifocal IR Bullet Camera



Features

Excellent Image Quality

- 1.3 Megapixel 1/3" progressive scan CMOS sensor
- High definition and smooth picture, 960p@30fps
- H.264 high profile video codec, saves up to 30% bandwidth and storage
- Low illumination, 0.01lux with color picture
- WDR support / 3D noise reduction / Auto Iris

Integrated High Efficiency IR

- Industrial IR LED with long operational lifespan
- 30 ~ 50m IR distance
- Smart IR function

A Variety of Installation Modes

- Supports 90°, 180°, 270° image rotation
- Motorized varifocal lens

Abundant Functions and Features

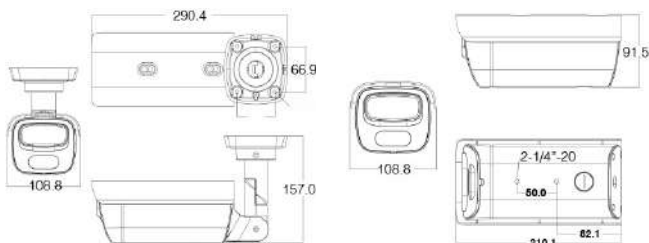
- TF card slot, support Automatic Network Replenishment (ANR)
- Dual-stream (960p + D1)
- One click autofocus
- IP66

Specifications

IPC2151-AN/BN-DIR2	
Camera	
Image Sensor	1/3" progressive scan CMOS
Pixels	1.3 Megapixel
Min. Illumination	Color: 0.01lux @ (F1.4, AGC ON)
	B/W: 0lux with IR
Shutter Speed	1/10 ~ 1/10,000s
Day / Night	Auto (ICR) / Color / B/W
Wide Dynamic Range	Digital WDR
S/N Ratio	> 50dB
White Balance	Auto / Manual
Gain Control	Auto / Manual
Backlight Compensation	Off / BLC / WDR
Lens	
Mount Type	Ø14
Auto Iris	DC drive
Focal Length	2.8 ~ 12mm @ F1.4 motorized varifocal lens
Focus Control	Manual / Semi-Automatic
Angle of View	89.4° ~ 47.7°
Infrared	
IR LED	3pcs IR LED
IR Distance	30 ~ 50m
IR Intensity	Smart IR
Video	
Compression	H.264 / MJPEG
Image Resolution	Main stream: 960p Secondary stream: D1
Frame Rate	Main stream: 960p@30fps Secondary stream: D1@30fps
Bitrate	64kbps ~ 8Mbps
Bitrate Control	VBR / CBR
Dual-stream	Supported
Caption	Date and time / Alarm / Customized
Privacy Masking	Up to 4 zones
Motion Detection	Up to 4 zones
Video Freeze	Supported
Digital Noise Reduction	3D noise reduction
Image Flip	Flip / Mirror / Rotation at 90°, 180°, 270°
Network	
Network Protocols	TCP/IP, UDP, HTTP, DHCP, DNS/DDNS, RTP/RTCP, RTSP, PPPoE, FTP, VSIP, IPv4, IPv6 (optional)
User Interface	IPC Control (IE)
Max. User Access	Max. 10 Users (includes 2 internal)
Application Programming	ONVIF (Profile S), GB/T 28181-2011, API, CGI
Automatic Network Replenishment (ANR)	Supported
Alarm	
Alarm Triggers	Motion detection / Alarm input
Alarm Events	Alarm caption / Snapshot / External output
Interfaces	
Ethernet	10/100M, RJ45 interface
Memory Slot	TF card slot, supports up to 128GB
Environmental	
Operating Temperature	-20°C ~ 60°C / -4°F ~ 140°F
Operating Humidity	10% ~ 95%
Protection level	IP66
Electrical	
Power	12V DC ± 10%
Power Consumption	Max. 15W
Mechanical	
Weight	-AN: 2.5 kg / 5.5lb (Gross Weight) -BN: 2 kg / 4.4lb (Gross Weight)
Dimensions	-AN: 290.4 × 108.8 × 157mm / 11.43" × 4.28" × 6.18" -BN: 210.1 × 108.8 × 91.5mm / 8.27" × 4.28" × 3.6"
Mounting Bracket	-AN: Bracket included -BN: Bracket not included

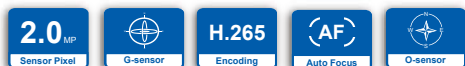
Dimensions

Units:mm



IPC2251-HN/HNB

2.0MP Starlight & Ultra WDR HD Network Varifocal IR Bullet Camera



Features

Excellent Image Quality

- 2.0 Megapixel 1/2.8" progressive scan CMOS sensor
- High definition and smooth picture, 1080p@30fps
- H.265 video codec, saves up to 50% bandwidth and storage
- Ultra low illumination, 0.001lux with color picture
- 120dB Ultra WDR
- 3D noise reduction / Auto Iris / HLC

Intelligent Functions

- Motion detection / Tampering / Guard line / Defocus / Scene change / Enter guard area / Exit guard area / Object left / Object removal / Gathering / Audio surge

Integrated High Efficiency IR

- Industrial IR LED with long operational lifespan
- Up to 120m IR distance (-SIR80-Z6048)
- Smart IR function

A Variety of Installation Modes

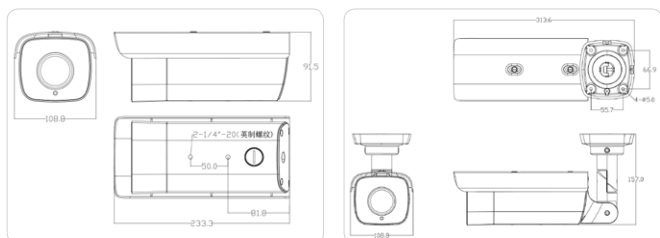
- Supports 90°, 180°, 270° image rotation
- Auto flip function
- Varifocal AF lens

Abundant Functions and Features

- TF card slot, support Automatic Network Replenishment (ANR)
- Bi-directional audio / alarm in and out / video out / RS485
- 2 channel audio input simultaneously
- Up to 3 Multi-stream
- Anti-fog with heating glass
- Built-in O-sensor
- -40°C ~ 70°C operation temperature
- PoE
- IP67

Dimensions

Units:mm



Specifications

	IPC2251-HN/HNB(-SIR40-Z3009, -SIR80-Z6048)
Camera	
Image Sensor	1/2.8" progressive scan CMOS
Pixels	2.0 Megapixel
Min. Illumination	Color: 0.001lux @ (F1.4, AGC ON) B/W: 0.0001lux @ (F1.4, AGC ON); 0Lux with IR
Shutter Speed	1 ~ 1/30,000s
Day / Night	Auto (ICR) / Color / B/W
Wide Dynamic Range	Ultra WDR, 120dB
S/N Ratio	>57dB
White Balance	Auto / Manual
Gain Control	Auto / Manual
Backlight Compensation	Off / BLC / WDR / HLC
Lens	
Mount Type	φ14
Auto Iris	DC drive
Focal Length	-SIR40-Z3009: 2.8-12mm @ F1.4 motorized varifocal lens -SIR80-Z6048: 6-48mm @ F1.4 motorized varifocal lens
Focus Control	Manual / Semi-Automatic / Auto
Angle of View	-SIR40-Z3009: 90°~ 37° -SIR80-Z6048: 65°~ 7.2°
Infrared	
IR Distance	-SIR40-Z3009: 30 ~ 50m -SIR80-Z6048: 80 ~ 120m
IR Intensity	Smart IR
Video	
Compression	H.265 / H.264 / MJPEG
Image Resolution	Main stream: 1080p Secondary stream: D1
Frame Rate	Main stream: 1080p@30fps Secondary stream: D1@30fps
Bitrate	32kbps ~ 16Mbps
Bitrate Control	VBR / CBR
Multi-stream	Support
Caption	Date and time / Alarm / Direction / Customized
Privacy Masking	Up to 4 zones
Motion Detection	Up to 4 zones
Video Freeze	Supported
ROI	Supported
Digital Noise Reduction	3D noise reduction
Digital Defog	Supported
Image Flip	Flip / Mirror / Rotation at 90°, 180°, 270° / Auto flip (Built-in G-sensor)
Audio	
Compression	G.711a / G.711u / ADPCM / G.722 / AAC-LC / G.722.1c / G.726
Bitrate	32kbps ~ 64kbps
Audio Function	Bi-directional audio / AEC / Mixed audio recording / Dumb / Mute
Network	
Network Protocols	TCP/IP, UDP, HTTP, DHCP, DNS/DDNS, RTP/RTCP, RTSP, PPPoE, FTP, VSIP, UPnP, 802.1x, NAT, QoS, SMTP, IPv4, IPv6 (optional)
User Interface	IPC Control (IE, Firefox, Chrome)
Max. User Access	Max. 10 Users (includes 2 internal)
Application Programming	ONVIF (Profile S, Profile G), GB/T 28181-2011, API, CGI
Automatic Network Replenishment (ANR)	Supported
Alarm	
Alarm Triggers	Alarm input / Network disconnect / Disk full / Disk error
Intelligent	Motion detection / Tampering / Guard line / Defocus / Scene change / Enter guard area / Exit guard area / Object left / Object removal / Gathering / Audio surge
Alarm Events	Alarm report / Recording / Text overlay / Snapshot / External output / Email notice / Acoustic alarm
Interfaces	
Ethernet	10/100M, RJ45 interface
Audio In / Out	2 x Line in / 1 x Line out
Control	1 x RS485
Alarm In / Out	1 x Input / 1 x Output
Video Out	1 x BNC, 1.0V [p-p] / 75Ω
Memory Slot	TF card slot, supports up to 128GB
Environmental	
Operating Temperature	-40°C ~ 70°C / -40°F ~ 158°F
Operating Humidity	10% ~ 95%
Protection level	IP67
Electrical	
Power	12V DC ± 10% / PoE (IEEE802.3af)
Power Consumption	-SIR40-Z3009: Max. 12.5W -SIR80-Z6048: Max. 15W
Mechanical	
Weight	-HNB: 2.5 kg / 5.5lb (Gross Weight) -HN: 2 kg / 4.4lb (Gross Weight)
Dimensions	-HNB: 313.6mm×108.8mm×157mm / 12.35" x 4.28" x 6.19" -HN: 233.3mm×108.8mm×91.5mm / 9.19" x 4.28" x 3.60"
Mounting Bracket	-HN: Bracket included -HNB: Bracket not included

IPC2150-AN

1.3MP HD Network Varifocal IR Bullet Camera



Features

Excellent Image Quality

- 1.3 Megapixel 1/3" progressive scan CMOS sensor
- High definition and smooth picture, 960p@30fps
- H.264 high profile video codec, saves up to 30% bandwidth and storage
- Low illumination, 0.01lux with color picture
- WDR support / 3D noise reduction / Auto Iris

Integrated High Efficiency IR

- Industrial IR LED with long operational lifespan
- 60 ~ 70m IR distance
- Smart IR function

A Variety of Installation Modes

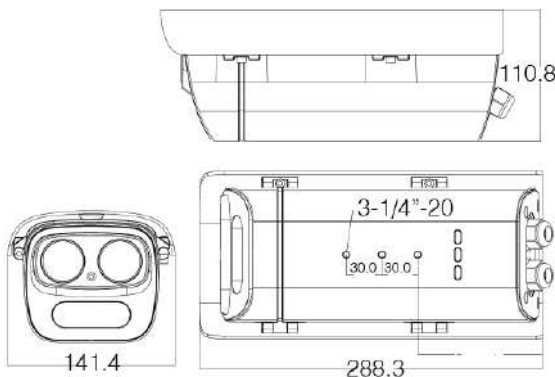
- Supports 90°, 180°, 270° image rotation
- Varifocal lens (Manual / Motorized)

Abundant Functions and Features

- TF card slot, support Automatic Network Replenishment (ANR)
- Dual-stream (960p + D1)
- Bi-directional audio / alarm in and out / video out / RS485
- One click autofocus (-IR2 only)
- -40°C ~ 70°C operation temperature
- IP66

Dimensions

Units:mm



Specifications

	IPC2150-AN(-IR1, -IR2)
Camera	
Image Sensor	1/3" progressive scan CMOS
Pixels	1.3 Megapixel
Min. Illumination	Color: 0.01lux @ (F1.4, AGC ON)
	B/W: 0lux with IR
Shutter Speed	1/10 ~ 1/10,000s
Day / Night	Auto (ICR) / Color / B/W
Wide Dynamic Range	Digital WDR
S/N Ratio	> 53dB
White Balance	Auto / Manual
Gain Control	Auto / Manual
Backlight Compensation	Off / BLC / WDR
Lens	
Mount Type	Ø14
Auto Iris	DC drive
Focal Length	-IR1: 7 ~ 22mm @ F1.4 manual varifocal lens -IR2: 7 ~ 22mm @ F1.4 motorized varifocal lens
Focus Control	-IR1: Manual -IR2: Manual / Semi-Automatic
Angle of View	-IR1, -IR2: 36.5° ~ 15.2°
Infrared	
IR LED	4pcs IR LED
IR Distance	60 ~ 70m
IR Intensity	Smart IR
Video	
Compression	H.264 / MJPEG
Image Resolution	Main stream: 960p Secondary stream: D1
Frame Rate	Main stream: 960p@30fps Secondary stream: D1@30fps
Bitrate	64kbps ~ 8Mbps
Bitrate Control	VBR / CBR
Dual-stream	Supported
Caption	Date and time / Alarm / Customized
Privacy Masking	Up to 4 zones
Motion Detection	Up to 4 zones
Video Freeze	Supported
Digital Noise Reduction	3D noise reduction
Image Flip	Flip / Mirror / Rotation at 90°, 180°, 270°
Audio	
Compression	G.711a / G.711u / ADPCM / G.722 / AAC-LC
Bitrate	32kbps ~ 64kbps
Audio Function	Bi-directional audio / AEC / Mixed audio recording / Dumb / Mute
Network	
Network Protocols	TCP/IP, UDP, HTTP, DHCP, DNS/DDNS, RTP/RTCP, RTSP, PPPoE, FTP, VSIP, IPv4, IPv6 (optional)
User Interface	IPC Control (IE)
Max. User Access	Max. 10 Users (includes 2 internal)
Application Programming	ONVIF (Profile S), GB/T 28181-2011, API, CGI
Automatic Network Replenishment (ANR)	Supported
Alarm	
Alarm Triggers	Motion detection / Alarm input
Alarm Events	Alarm caption / Snapshot / External output
Interfaces	
Ethernet	10/100M, RJ45 interface
Audio In / Out	1 x Line in / 1 x Line out
Control	1 x RS485
Alarm In / Out	1 x Input / 1 x Output
Video Out	1 x BNC, 1.0V [p-p] / 75Ω
Memory Slot	TF card slot, supports up to 128GB
Environmental	
Operating Temperature	-40°C ~ 70°C / -40°F ~ 158°F
Operating Humidity	10% ~ 95%
Protection level	IP66
Electrical	
Power	24V AC ± 10%
Power Consumption	Max. 25W
Mechanical	
Weight	2.5 kg / 5.5lb (Gross Weight)
Dimensions	288.3 x 141.4 x 110.8mm / 11.35" x 5.57" x 4.36"

IPC2250-AN

2.0MP HD Network Varifocal IR Bullet Camera



Features

Excellent Image Quality

- 2.0 Megapixel 1/2.8" progressive scan CMOS sensor
- High definition and smooth picture, 1080p@30fps
- H.264 high profile video codec, saves up to 30% bandwidth and storage
- Low illumination, 0.05lux with color picture
- WDR support / 3D noise reduction / Auto Iris

Integrated High Efficiency IR

- Industrial IR LED with long operational lifespan
- 60 ~ 70m IR distance
- Smart IR function

A Variety of Installation Modes

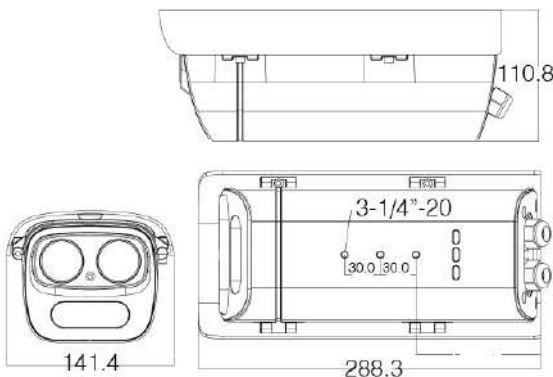
- Supports 90°, 180°, 270° image rotation
- Varifocal lens (Manual / Motorized)

Abundant Functions and Features

- TF card slot, support Automatic Network Replenishment (ANR)
- Dual-stream (1080p + D1)
- Bi-directional audio / alarm in and out / video out / RS485
- One click autofocus (-IR2 only)
- -40°C ~ 70°C operation temperature
- IP66

Dimensions

Units:mm



Specifications

	IPC2250-AN(-IR1, -IR2)
Camera	
Image Sensor	1/2.8" progressive scan CMOS
Pixels	2.0 Megapixel
Min. Illumination	Color: 0.05lux @ (F1.4, AGC ON)
Shutter Speed	B/W: 0lux with IR
Day / Night	1/10 ~ 1/10,000s
Wide Dynamic Range	Auto (ICR) / Color / B/W
S/N Ratio	Digital WDR
White Balance	>52dB
Gain Control	Auto / Manual
Backlight Compensation	Auto / Manual
Lens	Off / BLC / WDR
Mount Type	Φ14
Auto Iris	DC drive
Focal Length	-IR1: 7 ~ 22mm @ F1.4 manual varifocal lens
	-IR2: 7 ~ 22mm @ F1.4 motorized varifocal lens
Focus Control	-IR1: Manual
	-IR2: Manual / Semi-Automatic
Angle of View	-IR1, -IR2: 40.3° ~ 17.3°
Infrared	
IR LED	4pcs IR LED
IR Distance	60 ~ 70m
IR Intensity	Smart IR
Video	
Compression	H.264 / MJPEG
Image Resolution	Main stream: 1080p
	Secondary stream: D1
Frame Rate	Main stream: 1080p@30fps
	Secondary stream: D1@30fps
Bitrate	64kbps ~ 8Mbps
Bitrate Control	VBR / CBR
Dual-stream	Supported
Caption	Date and time / Alarm / Customized
Privacy Masking	Up to 4 zones
Motion Detection	Up to 4 zones
Video Freeze	Supported
Digital Noise Reduction	3D noise reduction
Image Flip	Flip / Mirror / Rotation at 90°, 180°, 270°
Audio	
Compression	G.711a / G.711u / ADPCM / G.722 / AAC-LC
Bitrate	32kbps ~ 64kbps
Audio Function	Bi-directional audio / AEC / Mixed audio recording / Dumb / Mute
Network	
Network Protocols	TCP/IP, UDP, HTTP, DHCP, DNS/DDNS, RTP/RTCP, RTSP, PPPoE, FTP, VSIP, IPv4, IPv6 (optional)
User Interface	IPC Control (IE)
Max. User Access	Max. 10 Users (includes 2 internal)
Application Programming	ONVIF (Profile S), GB/T 28181-2011, API, CGI
Automatic Network Replenishment (ANR)	Supported
Alarm	
Alarm Triggers	Motion detection / Alarm input
Alarm Events	Alarm caption / Snapshot / External output
Interfaces	
Ethernet	10/100M, RJ45 interface
Audio In / Out	1 x Line in / 1 x Line out
Control	1 x RS485
Alarm In / Out	1 x Input / 1 x Output
Video Out	1 x BNC, 1.0V [p-p] / 75Ω
Memory Slot	TF card slot, supports up to 128GB
Environmental	
Operating Temperature	-40°C ~ 70°C / -40°F ~ 158°F
Operating Humidity	10% ~ 95%
Protection level	IP66
Electrical	
Power	24V AC ± 10%
Power Consumption	Max. 25W
Mechanical	
Weight	2.5 kg / 5.5lb (Gross Weight)
Dimensions	288.3 x 141.4 x 110.8mm / 11.35" x 5.57" x 4.36"

IPC113-AN

1.3MP HD Network Box Camera



Features

Excellent Image Quality

- 1.3 Megapixel 1/3" progressive scan CMOS sensor
- High definition and smooth picture, 960p@30fps
- H.264 high profile video codec, saves up to 30% bandwidth and storage
- Low illumination, 0.01lux with color picture
- WDR support / 3D noise reduction

A Variety of Installation Modes

- Supports 90°, 180°, 270° image rotation

Abundant Functions and Features

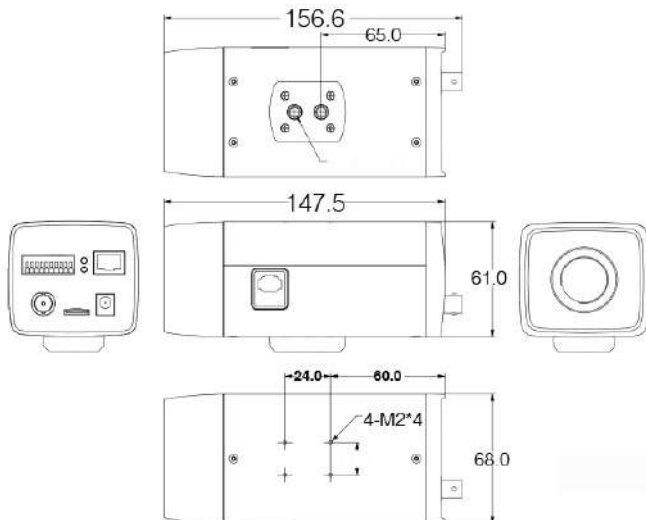
- TF card slot, support Automatic Network Replenishment (ANR)
- Dual-stream (960p+D1)
- Bi-directional audio / alarm in and out / video out / RS485
- PoE

Specifications

	IPC113-AN
Camera	
Image Sensor	1/3" progressive scan CMOS
Pixels	1.3 Megapixel
Min. Illumination	Color: 0.01lux @ (F1.2, AGC ON) B/W: 0.001lux @ (F1.2, AGC ON)
Shutter Speed	1/10 ~ 1/10,000s
Day / Night	Auto (ICR) / Color / B/W
Wide Dynamic Range	Digital WDR
S/N Ratio	> 50dB
White Balance	Auto / Manual
Gain Control	Auto / Manual
Backlight Compensation	Off / BLC / WDR
Lens (not included)	
Mount Type	C / CS
Auto Iris	DC drive
Video	
Compression	H.264 / MJPEG
Image Resolution	Main stream: 960p Secondary stream: D1
Frame Rate	Main stream: 960p@30fps Secondary stream: D1@30fps
Bitrate	64kbps ~ 8Mbps
Bitrate Control	VBR / CBR
Dual-stream	Supported
Caption	Date and time / Alarm / Customized
Privacy Masking	Up to 4 zones
Motion Detection	Up to 4 zones
Video Freeze	Supported
Digital Noise Reduction	3D noise reduction
Image Flip	Flip / Mirror / Rotation at 90°, 180°, 270°
Audio	
Compression	G.711a / G.711u / ADPCM / G.722 / AAC-LC
Bitrate	32kbps ~ 64kbps
Audio Function	Bi-directional audio / AEC / Mixed audio recording / Dumb / Mute
Network	
Network Protocols	TCP/IP, UDP, HTTP, DHCP, DNS/DDNS, RTP/RTCP, RTSP, PPPoE, FTP, VSIP, IPv4, IPv6 (optional)
User Interface	IPC Control (IE)
Max. User Access	Max. 10 Users (Includes 2 Internal)
Application Programming	ONVIF (Profile S), GB/T 28181-2011, API, CGI
Automatic Network Replenishment (ANR)	Supported
Alarm	
Alarm Triggers	Motion detection / Alarm input
Alarm Events	Alarm caption / Snapshot / External output
Interfaces	
Ethernet	10/100M, RJ45 interface
Audio In / Out	1 x Line in / 1 x Line out
Control	1 x RS485
Alarm In / Out	1 x Input / 1 x Output
Video Out	1 x BNC, 1.0V [p-p] / 75Ω
Memory Slot	TF card slot, supports up to 128GB
Environmental	
Operating Temperature	-30°C ~ 60°C / -22°F ~ 140°F
Operating Humidity	10% ~ 95%
Electrical	
Power	12V DC ± 10% / PoE (IEEE802.3af)
Power Consumption	Max. 6W
Mechanical	
Weight	0.5 kg / 1.1lb (Gross Weight)
Dimensions	147.5 x 68 x 61mm / 5.81" x 2.68" x 2.40"

Dimensions

Units:mm



IPC113-DN

1.3MP Ultra WDR HD Network Box Camera



Features

Excellent Image Quality

- 1.3 Megapixel 1/3" progressive scan CMOS sensor
- High definition and smooth picture, 960p@60fps
- H.264 high profile video codec, saves up to 30% bandwidth and storage
- Low illumination, 0.01lux with color picture
- 120dB Ultra WDR
- 3D noise reduction

A Variety of Installation Modes

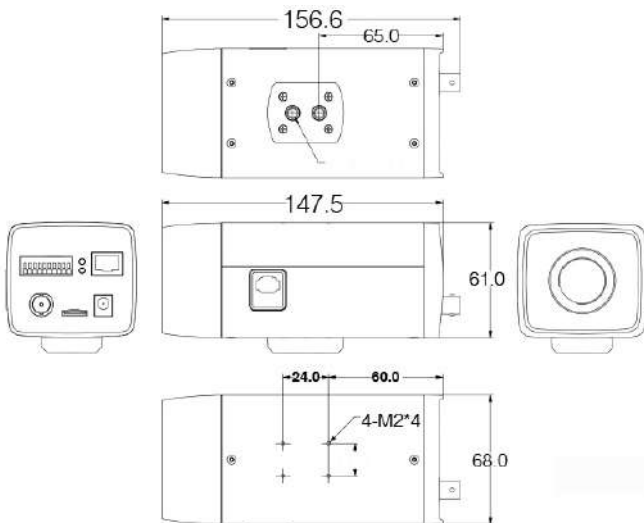
- Supports 90°, 180°, 270° image rotation

Abundant Functions and Features

- TF card slot, support Automatic Network Replenishment (ANR)
- Up to 4 Multi-stream
- Bi-directional audio / alarm in and out / video out / RS485
- PoE

Dimensions

Units:mm



Specifications

IPC113-DN	
Camera	
Image Sensor	1/3" progressive scan CMOS
Pixels	1.3 Megapixel
Min. Illumination	Color: 0.01lux @ (F1.2, AGC ON) B/W: 0.001lux @ (F1.2, AGC ON)
Shutter Speed	1/10 ~ 1/10,000s
Day / Night	Auto (ICR) / Color / B/W
Wide Dynamic Range	Ultra WDR, 120dB
S/N Ratio	> 50dB
White Balance	Auto / Manual
Gain Control	Auto / Manual
Backlight Compensation	Off / BLC / WDR
Lens (not included)	
Mount Type	C / CS
Auto Iris	DC drive
Video	
Compression	H.264 / MJPEG
Image Resolution	Main stream: 960p Secondary stream: D1
Frame Rate	Main stream: 960p@60fps Secondary stream: D1@30fps
Bitrate	64kbps ~ 16Mbps
Bitrate Control	VBR / CBR
Multi-stream	Supported
Caption	Date and time / Alarm / Customized
Privacy Masking	Up to 4 zones
Motion Detection	Up to 4 zones
Video Freeze	Supported
Digital Noise Reduction	3D noise reduction
Image Flip	Flip / Mirror / Rotation at 90°, 180°, 270°
Compression	G.711a / G.711u / ADPCM / G.722 / AAC-LC
Bitrate	32kbps ~ 64kbps
Audio Function	Bi-directional audio / AEC / Mixed audio recording / Dumb / Mute
Network	
Network Protocols	TCP/IP, UDP, HTTP, DHCP, DNS/DDNS, RTP/RTCP, RTSP, PPPoE, FTP, VSIP, IPv4, IPv6 (optional)
User Interface	IPC Control (IE)
Max. User Access	Max. 10 Users (Includes 2 Internal)
Application Programming	ONVIF (Profile S), GB/T 28181-2011, API, CGI
Automatic Network Replenishment (ANR)	Supported
Alarm	
Alarm Triggers	Motion detection / Alarm input
Alarm Events	Alarm caption / Snapshot / External output
Interfaces	
Ethernet	10/100M, RJ45 interface
Audio In / Out	1 x Line in / 1 x Line out
Control	1 x RS485
Alarm In / Out	1 x Input / 1 x Output
Video Out	1 x BNC, 1.0V [p-p] / 75Ω
Memory Slot	TF card slot, supports up to 128GB
Environmental	
Operating Temperature	-30°C ~ 60°C / -22°F ~ 140°F
Operating Humidity	10% ~ 95%
Electrical	
Power	12V DC ± 10% / PoE (IEEE802.3af)
Power Consumption	Max. 6W
Mechanical	
Weight	0.5 kg / 1.1lb (Gross Weight)
Dimensions	147.5 x 68 x 61mm / 5.81" x 2.68" x 2.40"

IPC123-HN

2.0MP Ultra WDR HD Network Box Camera



Features

Excellent Image Quality

- 2.0 Megapixel 1/3" progressive scan CMOS sensor
- High definition and smooth picture, 1080p@30fps
- H.265 video codec, saves up to 50% bandwidth and storage
- Low illumination, 0.03lux with color picture
- 120dB Ultra WDR
- 3D noise reduction / HLC / BLC

Intelligent Functions

- Motion detection / Tampering / Guard line / Defocus / Scene change / Enter guard area / Exit guard area / Object left / Object removal / Gathering / Audio surge

A Variety of Installation Modes

- Supports 90°, 180°, 270° image rotation
- Auto flip function

Abundant Functions and Features

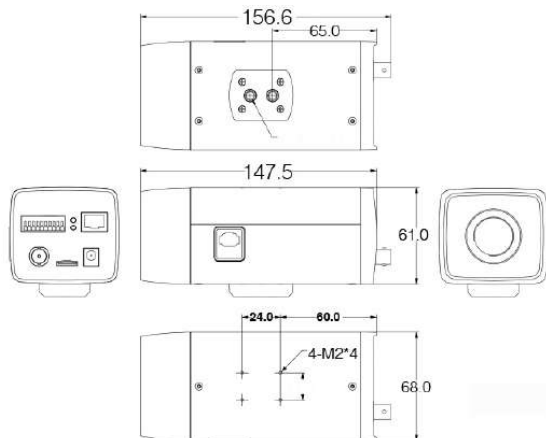
- TF card slot, support Automatic Network Replenishment (ANR)
- Up to 3 Multi-stream
- Bi-directional audio / alarm in and out / video out / RS485
- 2 channel audio input simultaneously
- Built-in Mic
- Built-in O-sensor
- PoE

Specifications

IPC123-HN	
Camera	
Image Sensor	1/3" progressive scan CMOS
Pixels	2.0 Megapixel
Min. Illumination	Color: 0.03lux @ (F1.2, AGC ON) B/W: 0.003lux @ (F1.2, AGC ON)
Shutter Speed	1 ~ 1/30,000s
Day / Night	Auto (ICR) / Color / B/W
Wide Dynamic Range	Ultra WDR, 120dB
S/N Ratio	>52dB
White Balance	Auto / Manual
Gain Control	Auto / Manual
Backlight Compensation	Off / WDR / BLC / HLC
Lens (not included)	
Mount Type	C / CS
Auto Iris	DC drive / P-Iris
Video	
Compression	H.265 / H.264 / MJPEG
Image Resolution	Main stream: 1080p Secondary stream: D1
Frame Rate	Main stream: 1080p@30fps Secondary stream: D1@30fps
Bitrate	32kbps ~ 16Mbps
Bitrate Control	VBR / CBR
Multi-stream	Supported
Caption	Date and time / Alarm / Direction / Customized
Privacy Masking	Up to 4 zones
Motion Detection	Up to 4 zones
Video Freeze	Supported
ROI	Supported
Digital Noise Reduction	3D noise reduction
Digital Defog	Supported
Image Flip	Flip / Mirror / Rotation at 90°,180°,270° / Auto flip (Built-in G-sensor)
Audio	
Compression	G.711a / G.711u / ADPCM / G.722 / AAC-LC / G.722.1c / G.726
Bitrate	32kbps ~ 64kbps
Audio Function	Bi-directional audio / AEC / Mixed audio recording / Dumb / Mute
Network	
Network Protocols	TCP/IP, UDP, HTTP, DHCP, DNS/DDNS, RTP/RTCP, RTSP, PPoE, FTP, VSIP, UPnP, 802.1x, NAT, QoS, SMTp, IPv4, IPv6 (optional)
User Interface	IPC Control (IE, Firefox, Chrome)
Max. User Access	Max. 10 Users (includes 2 internal)
Application Programming	ONVIF (Profile S, Profile G), GB/T 28181-2011, API, CGI
Automatic Network Replenishment (ANR)	Supported
Alarm	
Alarm Triggers	Alarm input / Network disconnect / Disk full / Disk error
Intelligent	Motion detection / Tampering / Guard line / Defocus / Scene change / Enter guard area / Exit guard area / Object left / Object removal / Gathering / Audio surge
Alarm Events	Alarm report / Recording / Text overlay / Snapshot / External output / Email notice / Acoustic alarm
Interfaces	
Ethernet	10/100M, RJ45 interface
Audio In / Out	2 x Line in / 1 x Line out / 1 x Built-in Mic
Control	1 x RS485
Alarm In / Out	1 x Input / 1 x Output
Video Out	1 x BNC, 1.0V [p-p] / 75Ω
Memory Slot	TF card slot, supports up to 128GB
Environmental	
Operating Temperature	-40°C ~ 70°C / -40°F ~ 158°F
Operating Humidity	10% ~ 95%
Electrical	
Power	AC 24V ± 10% / DC 12V ± 10% / PoE (IEEE802.3af)
Power Consumption	Max. 6W
Mechanical	
Weight	0.5 kg / 1.1lb (Gross Weight)
Dimensions	147.5 x 68 x 61mm / 5.81" x 2.68" x 2.40"

Dimensions

Units:mm



IPC123-DN

2.0MP Ultra WDR HD Network Box Camera



Features

Excellent Image Quality

- 2.0 Megapixel 1/3" progressive scan CMOS sensor
- High definition and smooth picture, 1080p@60fps
- H.264 high profile video codec, saves up to 30% bandwidth and storage
- Low illumination, 0.03lux with color picture
- 120dB Ultra WDR
- 3D noise reduction

A Variety of Installation Modes

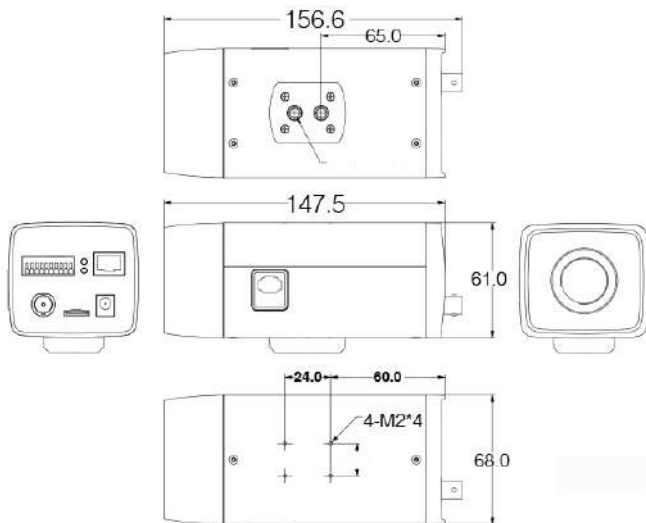
- Supports 90°, 180°, 270° image rotation

Abundant Functions and Features

- TF card slot, support Automatic Network Replenishment (ANR)
- Up to 4 Multi-stream
- Bi-directional audio / alarm in and out / video out / RS485
- PoE

Dimensions

Units:mm



Specifications

	IPC123-DN
Camera	
Image Sensor	1/3" progressive scan CMOS
Pixels	2.0 Megapixel
Min. Illumination	Color: 0.03lux @ (F1.2, AGC ON) B/W: 0.003lux @ (F1.2, AGC ON)
Shutter Speed	1/10 ~ 1/10,000s
Day / Night	Auto (ICR) / Color / B/W
Wide Dynamic Range	Ultra WDR, 120dB
S/N Ratio	>52dB
White Balance	Auto / Manual
Gain Control	Auto / Manual
Backlight Compensation	Off / BLC / WDR
Lens (not included)	
Mount Type	C / CS
Auto Iris	DC drive
Video	
Compression	H.264 / MJPEG
Image Resolution	Main stream: 1080p Secondary stream: D1
Frame Rate	Main stream: 1080p@60fps Secondary stream: D1@30fps
Bitrate	64kbps ~ 16Mbps
Bitrate Control	VBR / CBR
Multi-stream	Supported
Caption	Date and time / Alarm / Customized
Privacy Masking	Up to 4 zones
Motion Detection	Up to 4 zones
Video Freeze	Supported
Digital Noise Reduction	3D noise reduction
Image Flip	Flip / Mirror / Rotation at 90°, 180°, 270°
Compression	G.711a / G.711u / ADPCM / G.722 / AAC-LC
Bitrate	32kbps ~ 64kbps
Audio Function	Bi-directional audio / AEC / Mixed audio recording / Dumb / Mute
Network	
Network Protocols	TCP/IP, UDP, HTTP, DHCP, DNS/DDNS, RTP/RTCP, RTSP, PPPoE, FTP, VSIP, IPv4, IPv6 (optional)
User Interface	IPC Control (IE)
Max. User Access	Max. 10 Users (includes 2 internal)
Application Programming	ONVIF (Profile S), GB/T 28181-2011, API, CGI
Automatic Network Replenishment (ANR)	Supported
Alarm	
Alarm Triggers	Motion detection / Alarm input
Alarm Events	Alarm caption / Snapshot / External output
Interfaces	
Ethernet	10/100M, RJ45 interface
Audio In / Out	1 x Line in / 1 x Line out
Control	1 x RS-485
Alarm In / Out	1 x Input / 1 x Output
Video Out	1 x BNC, 1.0V [p-p] / 75Ω
Memory Slot	TF card slot, supports up to 128GB
Environmental	
Operating Temperature	-30°C ~ 60°C / -22°F ~ 140°F
Operating Humidity	10% ~ 95%
Electrical	
Power	12V DC ± 10% / PoE (IEEE802.3af)
Power Consumption	Max. 6W
Mechanical	
Weight	0.5 kg / 1.1lb (Gross Weight)
Dimensions	147.5 x 68 x 61mm / 5.81" x 2.68" x 2.40"

IPC143-HN

4.0MP Ultra WDR HD Network Box Camera



Features

Excellent Image Quality

- 4.0 Megapixel 1/3" progressive scan CMOS sensor
- High definition and smooth picture, 2592 x 1520@30fps
- H.265 video codec, saves up to 50% bandwidth and storage
- Low illumination, 0.05lux with color picture
- 120dB Ultra WDR
- 3D noise reduction / HLC / BLC

Intelligent Functions

- Motion detection / Tampering / Guard line / Defocus / Scene change / Enter guard area / Exit guard area / Object left / Object removal / Gathering / Audio surge

A Variety of Installation Modes

- Supports 90°, 180°, 270° image rotation
- Auto flip function

Abundant Functions and Features

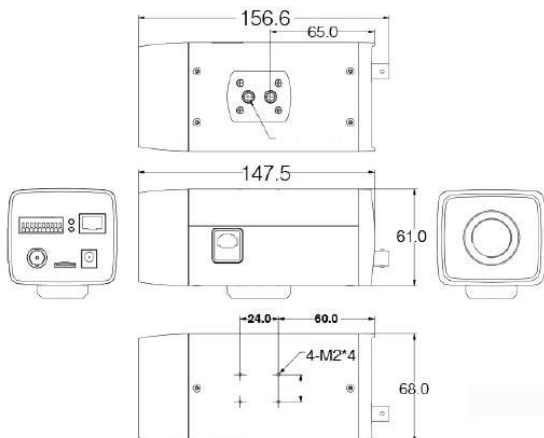
- TF card slot, support Automatic Network Replenishment (ANR)
- Up to 3 Multi-stream
- Bi-directional audio / alarm in and out / video out / RS485
- 2 channel audio input simultaneously
- Built-in Mic
- Built-in O-sensor
- PoE

Specifications

	IPC143-HN
Camera	
Image Sensor	1/3" progressive scan CMOS
Pixels	4.0 Megapixel
Min. Illumination	Color: 0.05lux @ (F1.2, AGC ON) B/W: 0.005lux @ (F1.2, AGC ON)
Shutter Speed	1 ~ 1/30,000s
Day / Night	Auto (ICR) / Color / B/W
Wide Dynamic Range	Ultra WDR, 120dB
S/N Ratio	> 52dB
White Balance	Auto / Manual
Gain Control	Auto / Manual
Backlight Compensation	Off / WDR / BLC / HLC
Lens (not included)	
Mount Type	C / CS
Auto Iris	DC drive / P-Iris
Video	
Compression	H.265 / H.264 / MJPEG
Image Resolution	Main stream: 2592 x 1520 Secondary stream: D1
Frame Rate	Main stream: 2592 x 1520@30fps Secondary stream: D1@30fps
Bitrate	32kbps ~ 16Mbps
Bitrate Control	VBR / CBR
Multi-stream	Supported
Caption	Date and time / Alarm / Direction / Customized
Privacy Masking	Up to 4 zones
Motion Detection	Up to 4 zones
Video Freeze	Supported
ROI	Supported
Digital Noise Reduction	3D noise reduction
Digital Defog	Supported
Image Flip	Flip / Mirror / Rotation at 90°, 180°, 270° / Auto flip (Built-in G-sensor)
Audio	
Compression	G.711a / G.711u / ADPCM / G.722 / AAC-LC / G.722.1c / G.726
Bitrate	32kbps ~ 64kbps
Audio Function	Bi-directional audio / AEC / Mixed audio recording / Dumb / Mute
Network	
Network Protocols	TCP/IP, UDP, HTTP, DHCP, DNS/DDNS, RTP/RTCP, RTSP, PPoE, FTP, VSIP, UPnP, 802.1x, NAT, QoS, S/MTP, IPv4, IPv6 (optional)
User Interface	IPC Control (IE, Firefox, Chrome)
Max. User Access	Max. 10 Users (includes 2 internal)
Application Programming	ONVIF (Profile S, Profile G), GB/T 28181-2011, API, CGI
Automatic Network Replenishment (ANR)	Supported
Alarm	
Alarm Triggers	Alarm input / Network disconnect / Disk full / Disk error
Intelligent	Motion detection / Tampering / Guard line / Defocus / Scene change / Enter guard area / Exit guard area / Object left / Object removal / Gathering / Audio surge
Alarm Events	Alarm report / Recording / Text overlay / Snapshot / External output / Email notice / Acoustic alarm
Interfaces	
Ethernet	10/100M, RJ45 interface
Audio In / Out	2 x Line in / 1 x Line out / 1 x Built-in Mic
Control	1 x RS485
Alarm In / Out	1 x Input / 1 x Output
Video Out	1 x BNC, 1.0V [p-p] / 75Ω
Memory Slot	TF card slot, supports up to 128GB
Environmental	
Operating Temperature	-40°C ~ 70°C / -40°F ~ 158°F
Operating Humidity	10% ~ 95%
Electrical	
Power	AC 24V ± 10% / DC 12V ± 10% / PoE (IEEE802.3af)
Power Consumption	Max. 6W
Mechanical	
Weight	0.5 kg / 1.1lb (Gross Weight)
Dimensions	147.5 x 68 x 61mm / 5.81" x 2.68" x 2.40"

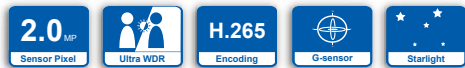
Dimensions

Units:mm



IPC123-FN

2.0MP Starlight & Ultra WDR HD Network Box Camera



Features

Excellent Image Quality

- 2.0 Megapixel 1/1.9" progressive scan CMOS sensor
- High definition and smooth picture, 1080p@60fps
- H.265 video codec, saves up to 50% bandwidth and storage
- Ultra low illumination, 0.001lux with color picture
- 120dB Ultra WDR
- 3D noise reduction / HLC / BLC

Intelligent Functions

- Motion detection / Tampering / Guard line / Defocus / Scene change / Enter guard area / Exit guard area / Object left / Object removal / Gathering / Audio surge

A Variety of Installation Modes

- Supports 90°, 180°, 270° image rotation
- Auto flip function

Abundant Functions and Features

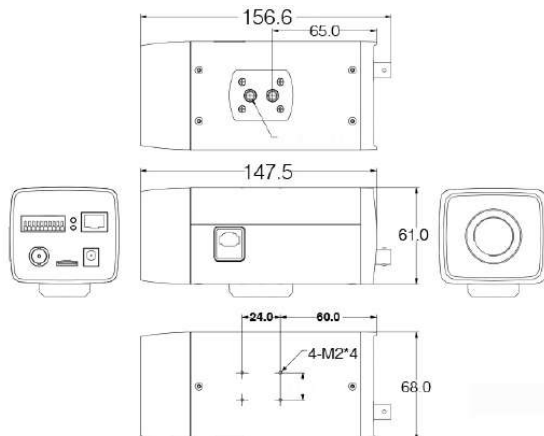
- TF card slot, support Automatic Network Replenishment (ANR)
- Up to 3 Multi-stream
- Bi-directional audio / alarm in and out / video out / RS485
- 2 channel audio input simultaneously
- Built-in Mic
- Built-in O-sensor
- PoE

Specifications

IPC123-FN	
Camera	
Image Sensor	1/1.9" progressive scan CMOS
Pixels	2.0 Megapixel
Min. Illumination	Color: 0.001lux @ (F1.2, AGC ON) B/W: 0.0001lux @ (F1.2, AGC ON)
Shutter Speed	1 ~ 1/30,000s
Day / Night	Auto (ICR) / Color / B/W
Wide Dynamic Range	Ultra WDR, 120dB
S/N Ratio	> 52dB
White Balance	Auto / Manual
Gain Control	Auto / Manual
Backlight Compensation	Off / WDR / BLC / HLC
Lens (not included)	
Mount Type	C / CS
Auto Iris	DC drive / P-Iris
Video	
Compression	H.265 / H.264 / MJPEG
Image Resolution	Main stream: 1080p Secondary stream: D1
Frame Rate	Main stream: 1080p@60fps Secondary stream: D1@30fps
Bitrate	32kbps ~ 16Mbps
Bitrate Control	VBR / CBR
Multi-stream	Supported
Caption	Date and time / Alarm / Direction / Customized
Privacy Masking	Up to 4 zones
Motion Detection	Up to 4 zones
Video Freeze	Supported
ROI	Supported
Digital Noise Reduction	3D noise reduction
Digital Defog	Supported
Image Flip	Flip / Mirror / Rotation at 90°, 180°, 270° / Auto flip (Built-in G-sensor)
Audio	
Compression	G.711a / G.711u / ADPCM / G.722 / AAC-LC / G.722.1c / G.726
Bitrate	32kbps ~ 64kbps
Audio Function	Bi-directional audio / AEC / Mixed audio recording / Dumb / Mute
Network	
Network Protocols	TCP/IP, UDP, HTTP, DHCP, DNS/DDNS, RTP/RTCP, RTSP, PPoE, FTP, VSIP, UPnP, 802.1x, NAT, QoS, SMTP, IPv4, IPv6 (optional)
User Interface	IPC Control (IE, Firefox, Chrome)
Max. User Access	Max. 10 Users (includes 2 internal)
Application Programming	ONVIF (Profile S, Profile G), GB/T 28181-2011, API, CGI
Automatic Network Replenishment (ANR)	Supported
Alarm	
Alarm Triggers	Alarm input / Network disconnect / Disk full / Disk error
Intelligent	Motion detection / Tampering / Guard line / Defocus / Scene change / Enter guard area / Exit guard area / Object left / Object removal / Gathering / Audio surge
Alarm Events	Alarm report / Recording / Text overlay / Snapshot / External output / Email notice / Acoustic alarm
Interfaces	
Ethernet	10/100M, RJ45 interface
Audio In / Out	2 x Line in / 1 x Line out / 1 x Built-in Mic
Control	1 x RS485
Alarm In / Out	1 x Input / 1 x Output
Video Out	1 x BNC, 1.0V [p-p] / 75Ω
Memory Slot	TF card slot, supports up to 128GB
Environmental	
Operating Temperature	-40°C ~ 70°C / -40°F ~ 158°F
Operating Humidity	10% ~ 95%
Electrical	
Power	AC 24V ± 10% / DC 12V ± 10% / PoE (IEEE802.3af)
Power Consumption	Max. 6W
Mechanical	
Weight	0.5 kg / 1.1lb (Gross Weight)
Dimensions	147.5 x 68 x 61mm / 5.81" x 2.68" x 2.40"

Dimensions

Units:mm



IPC185-AN

8.0MP (4K) UHD Network Box Camera



Features

UHD 4K Resolution

- 8.0 Megapixel 1/1.7" progressive scan CMOS sensor
- UHD 4K@25fps

Excellent Image Quality

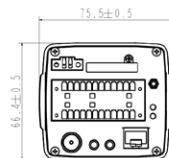
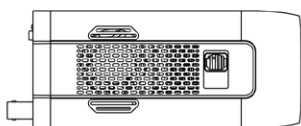
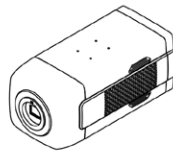
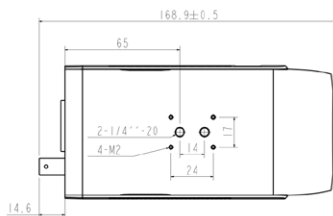
- H.264 high profile video codec, saves up to 30% bandwidth and storage
- Low illumination, 0.5lux with color picture
- WDR support / 3D noise reduction

Abundant Functions and Features

- TF card slot, supports up to 128GB
- Supports Automatic Network Replenishment (ANR)
- Dual-stream (4K+D1)
- Bi-directional audio / alarm in and out / video out / RS485
- PoE

Dimensions

Units:mm



Specifications

	IPC185-AN
Camera	
Image Sensor	1/1.7" progressive scan CMOS
Pixels	8.0 Megapixel
Min. Illumination	Color: 0.5lux @ (F1.2, AGC ON) B/W: 0.05lux @ (F1.2, AGC ON)
Shutter Speed	1/10 ~ 1/10,000s
Day / Night	Auto (ICR) / Color / B/W
Wide Dynamic Range	Digital WDR
S/N Ratio	>50dB
White Balance	Auto / Manual
Gain Control	Auto / Manual
Backlight Compensation	Off / BLC / WDR
Lens (not included)	
Mount Type	C / CS
Auto Iris	DC drive
Video	
Compression	H.264
Image Resolution	Main stream: 4K (4096x2160) Secondary stream: D1
Frame Rate	Main stream: 4K@25fps Secondary stream: D1@25fps
Bitrate	64kbps ~ 32Mbps
Bitrate Control	VBR / CBR
Dual-stream	Supported
Caption	Date and time / Alarm / Customized
Privacy Masking	Up to 4 zones
Motion Detection	Up to 4 zones
Video Freeze	Supported
Digital Noise Reduction	3D noise reduction
Image Flip	Flip / Mirror
Audio	
Compression	G.711a / G.711u / ADPCM / G.722 / AAC-LC
Bitrate	32kbps ~ 64kbps
Audio Function	Bi-directional audio / AEC / Mixed audio recording / Dumb / Mute
Network	
Network Protocols	TCP/IP, UDP, HTTP, DHCP, DNS/DDNS, RTP/RTCP, RTSP, PPPoE, FTP, VSIP, IPv4, IPv6 (optional)
User Interface	IPC Control (IE)
Max. User Access	8 Users (include 2 internal access)
Application Programming	ONVIF (Profile S), GB/T 28181-2011, API, CGI
Automatic Network Replenishment (ANR)	Supported
Alarm	
Alarm Triggers	Motion detection / Alarm input
Alarm Events	Alarm caption / Snapshot / External output
Interfaces	
Ethernet	10/100/1000M, RJ45 interface
Audio In / Out	1 x Line in / 1 x Line out
Control	1 x RS485
Alarm In / Out	1 x Input / 1 x Output
Video Out	1 x BNC, 1.0V [p-p] / 75Ω
Memory Slot	TF card slot, supports up to 128GB
Environmental	
Operating Temperature	-40°C ~ 70°C / -40°F ~ 158°F
Operating Humidity	10% ~ 95%
Electrical	
Power	12V DC ± 10% / PoE (IEEE802.3af)
Power Consumption	Max. 8W
Mechanical	
Weight	0.65 kg / 1.4lb (Gross Weight)
Dimensions	168.9 x 75.5 x 66.4mm / 6.65" x 2.98" x 2.62"

IPC2240-HN-P

2.0MP HD Network Mini Semi Dome Camera



Features

Excellent Image Quality

- 2.0 Megapixel 1/3" progressive scan CMOS Sensor
- High definition and smooth picture, 1080p@30fps
- H.265 video codec, saves up to 50% bandwidth and storage
- Low illumination, 0.03lux with color picture
- WDR / HLC / 3D noise reduction

Mini size

- 0.5Kg / 1.1lb
- $\Phi 97.62 \times 67.65\text{mm} / \Phi 3.85" \times 2.67"$

Intelligent Functions

- Motion detection / Tampering / Guard line / Enter guard area / Exit guard area

A Variety of Installation Modes

- Supports 90°, 180°, 270° image rotation

Abundant Functions and Features

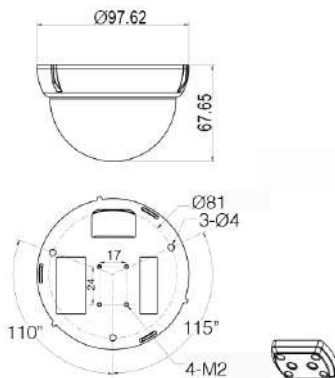
- TF card slot, supports Automatic Network Replenishment (ANR)
- Built-in Mic
- Dual-stream (1080p + D1)
- PoE
- IK10

Specifications

	IPC2240-HN-P
Camera	
Image Sensor	1/3" progressive scan CMOS
Pixels	2.0 Megapixel
Min. Illumination	Color: 0.03lux @ (F1.6, AGC ON) B/W: 0.003lux @ (F1.6, AGC ON)
Shutter Speed	1 ~ 1/30,000s
Day / Night	Auto (ICR) / Color / B/W
Wide Dynamic Range	Digital WDR
S/N Ratio	> 50dB
White Balance	Auto / Manual
Gain Control	Auto / Manual
Backlight Compensation	Off / WDR / BLC / HLC
Lens	
Mount Type	M12
Focal Length	2.1mm (-L0210)
Angle of View	143.3° (-L0210)
Adjustment Range	Pan: -102.5° ~ 102.5° / Tilt: 0° ~ 70°
Video	
Compression	H.265 / H.264 / MJPEG
Image Resolution	Main stream: 1080p Secondary stream: D1
Frame Rate	Main stream: 1080p@30fps Secondary stream: D1@30fps
Bitrate	32kbps ~ 16Mbps
Bitrate Control	VBR / CBR
Dual-stream	Supported
Caption	Date and time / Alarm / Customized
Privacy Masking	Up to 4 zones
Motion Detection	Up to 4 zones
Video Freeze	Supported
ROI	Supported
Digital Noise Reduction	3D noise reduction
Digital Defog	Supported
Image Flip	Flip / Mirror / Rotation at 90°, 180°, 270°
Audio	
Compression	G.711a / G.711u / ADPCM / G.722 / AAC-LC / G.722.1c / G.726
Bitrate	32kbps ~ 64kbps
Audio Function	AEC / Dumb
Network	
Network Protocols	TCP/IP, UDP, HTTP, DHCP, DNS/DDNS, RTP/RTCP, RTSP, PPPoE, FTP, VSIP, UPnP, 802.1x, NAT, QoS, SMTP, IPv4, IPv6 (optional)
User Interface	IPC Control (IE, Firefox, Chrome)
Max. User Access	Max. 10 Users (includes 2 internal)
Application Programming	ONVIF (Profile S, Profile G), GB/T 28181-2011, API, CGI
Automatic Network Replenishment (ANR)	Supported
Alarm	
Alarm Triggers	Alarm input / Network disconnect / Disk full / Disk error
Intelligent	Motion detection / Tampering / Guard line / Enter guard area / Exit guard area
Alarm Events	Alarm report / Recording / Text overlay / Snapshot / External output / Email notice / Acoustic alarm
Interfaces	
Ethernet	10/100M, RJ45 interface
Audio In / Out	1 x Built-in Mic
Memory Slot	TF card slot, supports up to 128GB
Environmental	
Operating Temperature	-40°C ~ 60°C / -40°F ~ 140°F
Operating Humidity	10% ~ 95%
Protection Level	IK10
Electrical	
Power	12V DC \pm 10% / PoE (IEEE802.3af)
Power Consumption	Max. 11W
Mechanical	
Weight	0.5kg / 1.1lb (Gross Weight)
Dimensions	$\Phi 97.62 \times 67.65\text{mm} / \Phi 3.85" \times 2.67"$

Dimensions

Units:mm



IPC2240-HN-PIR30

2.0MP HD Network Mini IR Semi Dome Camera



Features

Excellent Image Quality

- 2.0 Megapixel 1/3" progressive scan CMOS sensor
- High definition and smooth picture, 1080p@30fps
- H.265 video codec, saves up to 50% bandwidth and storage
- Low illumination, 0.03lux with color picture
- WDR / HLC / 3D noise reduction

Mini size

- 0.5 kg / 1.1lb
- $\Phi 97.62 \times 67.65\text{mm} / \Phi 3.85" \times 2.67"$
- Intelligent Functions
- Motion detection / Tampering / Guard line / Enter guard area / Exit guard area

Integrated High Efficiency IR

- Industrial IR LED with long operational lifespan
- 10 ~ 30m IR distance
- Smart IR function

A Variety of Installation Modes

- Supports 90°, 180°, 270° image rotation

Abundant Functions and Features

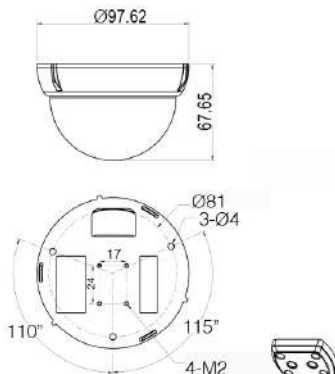
- TF card slot, supports Automatic Network Replenishment (ANR)
- Built-in Mic
- Dual-stream (1080p + D1)
- PoE
- IK10

Specifications

IPC2240-HN-PIR30	
Camera	IPC2240-HN-PIR30
Image Sensor	1/3" progressive scan CMOS
Pixels	2.0 Megapixel
Min. Illumination	Color: 0.03lux @ (F1.6, AGC ON) B/W: 0lux with IR
Shutter Speed	1 ~ 1/30,000s
Day / Night	Auto (ICR) / Color / B/W
Wide Dynamic Range	Digital WDR
S/N Ratio	>50dB
White Balance	Auto / Manual
Gain Control	Auto / Manual
Backlight Compensation	Off / WDR / BLC / HLC
Lens	
Mount Type	M12
Focal Length	2.8mm (-L0280) / 3.6mm (-L0360) / 6mm (-L0600)
Angle of View	101.2° (-L0280) / 78.6° (-L0360) / 53.4° (-L0600)
Adjustment Range	Pan: -102.5° ~ 102.5° / Tilt: 0° ~ 70°
Infrared	
IR Distance	10 ~ 30m
IR Intensity	Smart IR
Video	
Compression	H.265 / H.264 / MJPEG
Image Resolution	Main stream: 1080p Secondary stream: D1
Frame Rate	Main stream: 1080p@30fps Secondary stream: D1@30fps
Bitrate	32kbps ~ 16Mbps
Bitrate Control	VBR / CBR
Dual-stream	Supported
Caption	Date and time / Alarm / Customized
Privacy Masking	Up to 4 zones
Motion Detection	Up to 4 zones
Video Freeze	Supported
ROI	Supported
Digital Noise Reduction	3D noise reduction
Digital Defog	Supported
Image Flip	Flip / Mirror / Rotation at 90°, 180°, 270°
Audio	
Compression	G.711a / G.711u / ADPCM / G.722 / AAC-LC / G.722.1c / G.726
Bitrate	32kbps ~ 64kbps
Audio Function	AEC / Dumb
Network	
Network Protocols	TCP/IP, UDP, HTTP, DHCP, DNS/DDNS, RTP/RTCP, RTSP, PPPoE, FTP, VSIP, UPnP, 802.1x, NAT, QoS, SMTP, IPv4, IPv6 (optional)
User Interface	IPC Control (IE, Firefox, Chrome)
Max. User Access	Max. 10 Users (includes 2 internal)
Application Programming	ONVIF (Profile S, Profile G), GB/T 28181-2011, API, CGI
Automatic Network Replenishment (ANR)	Supported
Alarm	
Alarm Triggers	Alarm input / Network disconnect / Disk full / Disk error
Intelligent	Motion detection / Tampering / Guard line / Enter guard area / Exit guard area
Alarm Events	Alarm report / Recording / Text overlay / Snapshot / External output / Email notice / Acoustic alarm
Interfaces	
Ethernet	10/100M, RJ45 interface
Audio In / Out	1 x Built-in Mic
Memory Slot	TF card slot, supports up to 128GB
Environmental	
Operating Temperature	-40°C ~ 60°C / -40°F ~ 140°F
Operating Humidity	10% ~ 95%
Protection Level	IK10
Electrical	
Power	12V DC \pm 10% / PoE (IEEE802.3af)
Power Consumption	Max. 11W
Mechanical	
Weight	0.5 kg / 1.1lb (Gross Weight)
Dimensions	$\Phi 97.62 \times 67.65\text{mm} / \Phi 3.85" \times 2.67"$

Dimensions

Units:mm



IPC2240-HN-S

2.0MP HD Network Mini Semi Dome Camera



Features

Excellent Image Quality

- 2.0 Megapixel 1/3" progressive scan CMOS sensor
- High definition and smooth picture, 1080p@30fps
- H.265 video codec, saves up to 50% bandwidth and storage
- Low illumination, 0.03lux with color picture
- WDR / HLC / 3D noise reduction

Mini size

- 0.5 kg / 1.1lb
- $\Phi 97.62 \times 67.65\text{mm} / \Phi 3.85" \times 2.67"$

Intelligent Functions

- Motion detection / Tampering / Guard line / Defocus / Scene change / Enter guard area / Exit guard area / Object left / Object removal / Gathering / Audio surge

A Variety of Installation Modes

- Supports 90°, 180°, 270° image rotation

Abundant Functions and Features

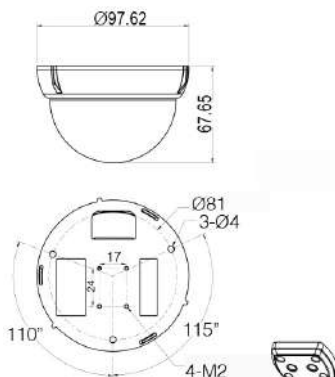
- TF card slot, supports Automatic Network Replenishment (ANR)
- Bi-directional audio / Built-in Mic / alarm in and out / video out / RS485
- 2 channel audio input simultaneously
- Dual-stream (1080p + D1)
- PoE
- IK10

Specifications

	IPC2240-HN-S
Camera	
Image Sensor	1/3" progressive scan CMOS
Pixels	2.0 Megapixel
Min. Illumination	Color: 0.03lux @ (F1.6, AGC ON) B/W: 0.003lux @ (F1.6, AGC ON)
Shutter Speed	1 ~ 1/30,000s
Day / Night	Auto (ICR) / Color / B/W
Wide Dynamic Range	Digital WDR
S/N Ratio	> 50dB
White Balance	Auto / Manual
Gain Control	Auto / Manual
Backlight Compensation	Off / WDR / BLC / HLC
Lens	
Mount Type	M12
Focal Length	2.1mm (-L0210)
Angle of View	143.3° (-L0210)
Adjustment Range	Pan: -102.5° ~ 102.5° / Tilt: 0° ~ 70°
Video	
Compression	H.265 / H.264 / MJPEG
Image Resolution	Main stream: 1080p Secondary stream: D1
Frame Rate	Main stream: 1080p@30fps Secondary stream: D1@30fps
Bitrate	32kbps ~ 16Mbps
Bitrate Control	VBR / CBR
Dual-stream	Supported
Caption	Date and time / Alarm / Customized
Privacy Masking	Up to 4 zones
Motion Detection	Up to 4 zones
Video Freeze	Supported
ROI	Supported
Digital Noise Reduction	3D noise reduction
Digital Defog	Supported
Image Flip	Flip / Mirror / Rotation at 90°, 180°, 270°
Audio	
Compression	G.711a / G.711u / ADPCM / G.722 / AAC-LC / G.722.1c / G.726
Bitrate	32kbps ~ 64kbps
Audio Function	Bi-directional audio / AEC / Mixed audio recording / Dumb / Mute
Network	
Network Protocols	TCP/IP, UDP, HTTP, DHCP, DNS/DDNS, RTP/RTCP, RTSP, PPPoE, FTP, VSIP, UPnP, 802.1x, NAT, QoS, SMTP, IPv4, IPv6 (optional)
User Interface	IPC Control (IE, Firefox, Chrome)
Max. User Access	Max. 10 Users (includes 2 internal)
Application Programming	ONVIF (Profile S, Profile G), GB/T 28181-2011, API, CGI
Automatic Network Replenishment (ANR)	Supported
Alarm	
Alarm Triggers	Alarm input / Network disconnect / Disk full / Disk error
Intelligent	Motion detection / Tampering / Guard line / Defocus / Scene change / Enter guard area / Exit guard area / Object left / Object removal / Gathering / Audio surge
Alarm Events	Alarm report / Recording / Text overlay / Snapshot / External output / Email notice / Acoustic alarm
Interfaces	
Ethernet	10/100M, RJ45 interface
Audio In / Out	2 x Line in / 1 x Line out / 1 x Built-in Mic
Control	1 x RS485
Alarm In / Out	1 x Input / 1 x Output
Video Out	1 x BNC, 1.0V [p-p] / 75Ω
Memory Slot	TF card slot, supports up to 128GB
Environmental	
Operating Temperature	-40°C ~ 60°C / -40°F ~ 140°F
Operating Humidity	10% ~ 95%
Protection Level	IK10
Electrical	
Power	12V DC ± 10% / PoE (IEEE802.3af)
Power Consumption	Max. 11W
Mechanical	
Weight	0.5 kg / 1.1lb (Gross Weight)
Dimensions	$\Phi 97.62 \times 67.65\text{mm} / \Phi 3.85" \times 2.67"$

Dimensions

Units:mm



IPC2240-HN-SIR30

2.0MP HD Network Mini IR Semi Dome Camera



Features

Excellent Image Quality

- 2.0 Megapixel 1/3" progressive scan CMOS sensor
- High definition and smooth picture, 1080p@30fps
- H.265 video codec, saves up to 50% bandwidth and storage
- Low illumination, 0.03lux with color picture
- WDR / HLC / 3D noise reduction

Mini size

- 0.5 kg / 1.1lb
- $\Phi 97.62 \times 67.65\text{mm} / \Phi 3.85" \times 2.67"$

Intelligent Functions

- Motion detection / Tampering / Guard line / Defocus / Scene change / Enter guard area / Exit guard area / Object left / Object removal / Gathering / Audio surge

Integrated High Efficiency IR

- Industrial IR LED with long operational lifespan
- 10 ~ 30m IR distance
- Smart IR function

A Variety of Installation Modes

- Supports 90°, 180°, 270° image rotation

Abundant Functions and Features

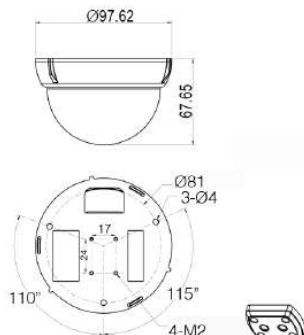
- TF card slot, supports Automatic Network Replenishment (ANR)
- Bi-directional audio / Built-in Mic / alarm in and out / video out / RS485
- 2 channel audio input simultaneously
- Dual-stream (1080p + D1)
- PoE
- IK10

Specifications

IPC2240-HN-SIR30	
Camera	IPC2240-HN-SIR30
Image Sensor	1/3" progressive scan CMOS
Pixels	2.0 Megapixel
Min. Illumination	Color: 0.03lux @ (F1.6, AGC ON)
Shutter Speed	B/W: 0lux with IR
Day / Night	1 ~ 1/30,000s
Wide Dynamic Range	Auto (ICR) / Color / B/W
S/N Ratio	Digital WDR
White Balance	> 50dB
Gain Control	Auto / Manual
Backlight Compensation	Auto / Manual
Lens	Off / WDR / BLC / HLC
Mount Type	M12
Focal Length	2.8mm (-L0280) / 3.6mm (-L0360) / 6mm (-L0600)
Angle of View	101.2° (-L0280) / 78.6° (-L0360) / 53.4° (-L0600)
Adjustment Range	Pan: -102.5° ~ 102.5° / Tilt: 0° ~ 70°
Infrared	
IR Distance	10 ~ 30m
IR Intensity	Smart IR
Video	
Compression	H.265 / H.264 / MJPEG
Image Resolution	Main stream: 1080p
	Secondary stream: D1
Frame Rate	Main stream: 1080p@30fps
	Secondary stream: D1@30fps
Bitrate	32kbps ~ 16Mbps
Bitrate Control	VBR / CBR
Dual-stream	Supported
Caption	Date and time / Alarm / Customized
Privacy Masking	Up to 4 zones
Motion Detection	Up to 4 zones
Video Freeze	Supported
ROI	Supported
Digital Noise Reduction	3D noise reduction
Digital Defog	Supported
Image Flip	Flip / Mirror / Rotation at 90°, 180°, 270°
Audio	
Compression	G.711a / G.711u / ADPCM / G.722 / AAC-LC / G.722.1c / G.726
Bitrate	32kbps ~ 64kbps
Audio Function	Bi-directional audio / AEC / Mixed audio recording / Dumb / Mute
Network	
Network Protocols	TCP/IP, UDP, HTTP, DHCP, DNS/DDNS, RTP/RTCP, RTSP, PPPoE, FTP, VSIP, UPnP, 802.1x, NAT, QoS, SMTP, IPv4, IPv6 (optional)
User Interface	IPC Control (IE, Firefox, Chrome)
Max. User Access	Max. 10 Users (includes 2 internal)
Application Programming	ONVIF (Profile S, Profile G), GB/T 28181-2011, API, CGI
Automatic Network Replenishment (ANR)	Supported
Alarm	
Alarm Triggers	Alarm input / Network disconnect / Disk full / Disk error
Intelligent	Motion detection / Tampering / Guard line / Defocus / Scene change / Enter guard area / Exit guard area / Object left / Object removal / Gathering / Audio surge
Alarm Events	Alarm report / Recording / Text overlay / Snapshot / External output / Email notice / Acoustic alarm
Interfaces	
Ethernet	10/100M, RJ45 interface
Audio In / Out	2 x Line in / 1 x Line out / 1 x Built-in Mic
Control	1 x RS485
Alarm In / Out	1 x Input / 1 x Output
Video Out	1 x BNC, 1.0V [p-p] / 75Ω
Memory Slot	TF card slot, supports up to 128GB
Environmental	
Operating Temperature	-40°C ~ 60°C / -40°F ~ 140°F
Operating Humidity	10% ~ 95%
Protection Level	IK10
Electrical	
Power	12V DC ± 10% / PoE (IEEE802.3af)
Power Consumption	Max. 11W
Mechanical	
Weight	0.5 kg / 1.1lb (Gross Weight)
Dimensions	$\Phi 97.62 \times 67.65\text{mm} / \Phi 3.85" \times 2.67"$

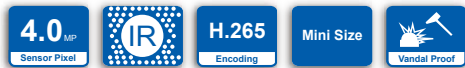
Dimensions

Units:mm



IPC2440-HN-P

4.0MP HD Network Mini Semi Dome Camera



Features

Excellent Image Quality

- 4.0 Megapixel 1/3" progressive scan CMOS Sensor
- High definition and smooth picture, 2592×1520@20fps, 2048×1520@25fps, 1080p@30fps
- H.265 video codec, saves up to 50% bandwidth and storage
- Low illumination, 0.05lux with color picture
- WDR / HLC / 3D noise reduction

Mini size

- 0.5Kg / 1.1lb
- Ø97.62 × 67.65mm / Ø3.85" × 2.67"

Intelligent Functions

- Motion detection / Tampering / Guard line / Enter guard area / Exit guard area

A Variety of Installation Modes

- Supports 90°, 180°, 270° image rotation

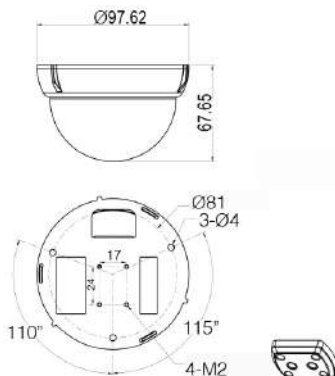
Abundant Functions and Features

- TF card slot, supports Automatic Network Replenishment (ANR)
- Built-in Mic
- Dual-stream (1080p + D1)
- PoE
- IK10

Specifications

IPC2440-HN-P	
Camera	IPC2440-HN-P
Image Sensor	1/3" progressive scan CMOS
Pixels	4.0 Megapixel
Min. Illumination	Color: 0.05lux @ (F1.6, AGC ON) B/W: 0.005lux @ (F1.6, AGC ON)
Shutter Speed	1 ~ 1/30,000s
Day / Night	Auto (ICR) / Color / B/W
Wide Dynamic Range	Digital WDR
S/N Ratio	> 50dB
White Balance	Auto / Manual
Gain Control	Auto / Manual
Backlight Compensation	Off / WDR / BLC / HLC
Lens	
Mount Type	M12
Focal Length	2.1mm (-L0210)
Angle of View	143.3° (-L0210)
Adjustment Range	Pan: -102.5° ~ 102.5° / Tilt: 0° ~ 70°
Video	
Compression	H.265 / H.264 / MJPEG
Image Resolution	Main stream: 2560×1440 Secondary stream: D1
Frame Rate	Main stream: 2592×1520@20fps, 2560×1440@25fps, 2048×1520@25fps, 1080p@30fps Secondary stream: D1@30fps
Bitrate	32kbps ~ 16Mbps
Bitrate Control	VBR / CBR
Dual-stream	Supported
Caption	Date and time / Alarm / Customized
Privacy Masking	Up to 4 zones
Motion Detection	Up to 4 zones
Video Freeze	Supported
ROI	Supported
Digital Noise Reduction	3D noise reduction
Digital Defog	Supported
Image Flip	Flip / Mirror / Rotation at 90°, 180°, 270°
Audio	
Compression	G.711a / G.711u / ADPCM / G.722 / AAC-LC / G.722.1c / G.726
Bitrate	32kbps ~ 64kbps
Audio Function	AEC / Dumb
Network	
Network Protocols	TCP/IP, UDP, HTTP, DHCP, DNS/DDNS, RTP/RTCP, RTSP, PPPoE, FTP, VSIP, UPnP, 802.1x, NAT, QoS, SMTP, IPv4, IPv6 (optional)
User Interface	IPC Control (IE, Firefox, Chrome)
Max. User Access	Max. 10 Users (includes 2 internal)
Application Programming	ONVIF (Profile S, Profile G), GB/T 28181-2011, API, CGI
Automatic Network Replenishment (ANR)	Supported
Alarm	
Alarm Triggers	Alarm input / Network disconnect / Disk full / Disk error
Intelligent	Motion detection / Tampering / Guard line / Enter guard area / Exit guard area
Alarm Events	Alarm report / Recording / Text overlay / Snapshot / External output / Email notice / Acoustic alarm
Interfaces	
Ethernet	10/100M, RJ45 interface
Audio In / Out	1 x Built-in Mic
Memory Slot	TF card slot, supports up to 128GB
Environmental	
Operating Temperature	-40°C ~ 60°C / -40°F ~ 140°F
Operating Humidity	10% ~ 95%
Protection Level	IK10
Electrical	
Power	12V DC ± 10% / PoE (IEEE802.3af)
Power Consumption	Max. 11W
Mechanical	
Weight	0.5kg / 1.1lb (Gross Weight)
Dimensions	Ø97.62 × 67.65mm / Ø3.85" × 2.67"

Dimensions Units:mm



IPC2440-HN-PIR30

4.0MP HD Network Mini IR Semi Dome Camera



Features

Excellent Image Quality

- 4.0 Megapixel 1/3" progressive scan CMOS sensor
- High definition and smooth picture, 2592×1520@20fps, 2048×1520@25fps, 1080p@30fps
- H.265 video codec, saves up to 50% bandwidth and storage
- Low illumination, 0.05lux with color picture
- WDR / HLC / 3D noise reduction

Mini size

- 0.5 kg / 1.1lb
- $\Phi 97.62 \times 67.65\text{mm} / \Phi 3.85" \times 2.67"$

Intelligent Functions

- Motion detection / Tampering / Guard line / Enter guard area / Exit guard area

Integrated High Efficiency IR

- Industrial IR LED with long operational lifespan
- 10 ~ 30m IR distance
- Smart IR function

A Variety of Installation Modes

- Supports 90°, 180°, 270° image rotation

Abundant Functions and Features

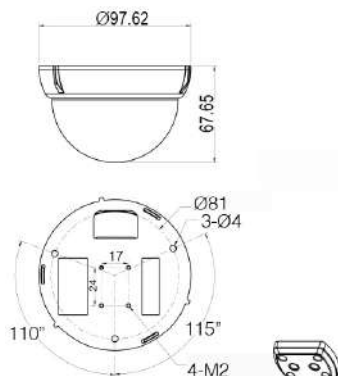
- TF card slot, supports Automatic Network Replenishment (ANR)
- Built-in Mic
- Dual-stream (2592×1520 + D1)
- PoE
- IK10

Specifications

	IPC2440-HN-PIR30
Camera	
Image Sensor	1/3" progressive scan CMOS
Pixels	4.0 Megapixel
Min. Illumination	Color: 0.05lux @ (F1.6, AGC ON) B/W: 0lux with IR
Shutter Speed	1 ~ 1/30,000s
Day / Night	Auto (ICR) / Color / B/W
Wide Dynamic Range	Digital WDR
S/N Ratio	> 50dB
White Balance	Auto / Manual
Gain Control	Auto / Manual
Backlight Compensation	Off / WDR / BLC / HLC
Lens	
Mount Type	M12
Focal Length	2.8mm (-L0280) / 3.6mm (-L0360) / 6mm (-L0600)
Angle of View	$\Phi 101.2^\circ$ (-L0280) / $\Phi 78.6^\circ$ (-L0360) / $\Phi 53.4^\circ$ (-L0600)
Adjustment Range	Pan: $-102.5^\circ \sim 102.5^\circ$ / Tilt: $0^\circ \sim 70^\circ$
Infrared	
IR Distance	10 ~ 30m
IR Intensity	Smart IR
Video	
Compression	H.265 / H.264 / MJPEG
Image Resolution	Main stream: 2560×1440 Secondary stream: D1
Frame Rate	Main stream: 2592×1520@20fps, 2560×1440@25fps, 2048×1520@25fps, 1080p@30fps Secondary stream: D1@30fps
Bitrate	32kbps ~ 16Mbps
Bitrate Control	VBR / CBR
Dual-stream	Supported
Caption	Date and time / Alarm / Customized
Privacy Masking	Up to 4 zones
Motion Detection	Up to 4 zones
Video Freeze	Supported
ROI	Supported
Digital Noise Reduction	3D noise reduction
Digital Defog	Supported
Image Flip	Flip / Mirror / Rotation at 90°, 180°, 270°
Audio	
Compression	G.711a / G.711u / ADPCM / G.722 / AAC-LC / G.722.1c / G.726
Bitrate	32kbps ~ 64kbps
Audio Function	AEC / Dumb
Network	
Network Protocols	TCP/IP, UDP, HTTP, DHCP, DNS/DDNS, RTP/RTCP, RTSP, PPPoE, FTP, VSIP, UPnP, 802.1x, NAT, QoS, SMTP, IPv4, IPv6 (optional)
User Interface	IPC Control (IE, Firefox, Chrome)
Max. User Access	Max. 10 Users (includes 2 internal)
Application Programming	ONVIF (Profile S, Profile G), GB/T 28181-2011, API, CGI
Automatic Network Replenishment (ANR)	Supported
Alarm	
Alarm Triggers	Alarm input / Network disconnect / Disk full / Disk error
Intelligent	Motion detection / Tampering / Guard line / Enter guard area / Exit guard area
Alarm Events	Alarm report / Recording / Text overlay / Snapshot / External output / Email notice / Acoustic alarm
Interfaces	
Ethernet	10/100M, RJ45 interface
Audio In / Out	1 x Built-in Mic
Memory Slot	TF card slot, supports up to 128GB
Environmental	
Operating Temperature	$-40^\circ\text{C} \sim 60^\circ\text{C} / -40^\circ\text{F} \sim 140^\circ\text{F}$
Operating Humidity	10% ~ 95%
Protection Level	IK10
Electrical	
Power	12V DC $\pm 10\%$ / PoE (IEEE802.3af)
Power Consumption	Max. 11W
Mechanical	
Weight	0.5 kg / 1.1lb (Gross Weight)
Dimensions	$\Phi 97.62 \times 67.65\text{mm} / \Phi 3.85" \times 2.67"$

Dimensions

Units:mm



IPC2440-HN-S

4.0MP HD Network Mini Semi Dome Camera



Features

Excellent Image Quality

- 4.0 Megapixel 1/3" progressive scan CMOS sensor
- High definition and smooth picture, 2592×1520@20fps, 2048×1520@25fps, 1080p@30fps
- H.265 video codec, saves up to 50% bandwidth and storage
- Low illumination, 0.05lux with color picture
- WDR / HLC / 3D noise reduction

Mini size

- 0.5 kg / 1.1lb
- $\Phi 97.62 \times 67.65\text{mm} / \Phi 3.85" \times 2.67"$

Intelligent Functions

- Motion detection / Tampering / Guard line / Defocus / Scene change / Enter guard area / Exit guard area / Object left / Object removal / Gathering / Audio surge

A Variety of Installation Modes

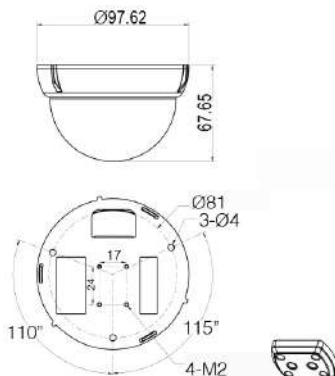
- Supports 90°, 180°, 270° image rotation

Abundant Functions and Features

- TF card slot, supports Automatic Network Replenishment (ANR)
- Bi-directional audio / Built-in Mic / alarm in and out / video out / RS485
- 2 channel audio input simultaneously
- Dual-stream (2592×1520 + D1)
- PoE
- IK10

Dimensions

Units:mm



Specifications

	IPC2440-HN-S
Camera	
Image Sensor	1/3" progressive scan CMOS
Pixels	4.0 Megapixel
Min. Illumination	Color: 0.05lux @ (F1.6, AGC ON) B/W: 0.005lux @ (F1.6, AGC ON)
Shutter Speed	1 ~ 1/30,000s
Day / Night	Auto (ICR) / Color / B/W
Wide Dynamic Range	Digital WDR
S/N Ratio	>50dB
White Balance	Auto / Manual
Gain Control	Auto / Manual
Backlight Compensation	Off / WDR / BLC / HLC
Lens	
Mount Type	M12
Focal Length	2.1mm (-L0210)
Angle of View	143.3° (-L0210)
Adjustment Range	Pan: -102.5° ~ 102.5° / Tilt: 0° ~ 70°
Video	
Compression	H.265 / H.264 / MJPEG
Image Resolution	Main stream: 2560×1440 Secondary stream: D1
Frame Rate	Main stream: 2592×1520@20fps, 2560×1440@25fps, 2048×1520@25fps, 1080p@30fps Secondary stream: D1@30fps
Bitrate	32kbps ~ 16Mbps
Bitrate Control	VBR / CBR
Dual-stream	Supported
Caption	Date and time / Alarm / Customized
Privacy Masking	Up to 4 zones
Motion Detection	Up to 4 zones
Video Freeze	Supported
ROI	Supported
Digital Noise Reduction	3D noise reduction
Digital Defog	Supported
Image Flip	Flip / Mirror / Rotation at 90°, 180°, 270°
Audio	
Compression	G.711a / G.711u / ADPCM / G.722 / AAC-LC / G.722.1c / G.726
Bitrate	32kbps ~ 64kbps
Audio Function	Bi-directional audio / AEC / Mixed audio recording / Dumb / Mute
Network	
Network Protocols	TCP/IP, UDP, HTTP, DHCP, DNS/DDNS, RTP/RTCP, RTSP, PPPoE, FTP, VSIP, UPnP, 802.1x, NAT, QoS, SMTP, IPv4, IPv6 (optional)
User Interface	IPC Control (IE, Firefox, Chrome)
Max. User Access	Max. 10 Users (includes 2 internal)
Application Programming	ONVIF (Profile S, Profile G), GB/T 28181-2011, API, CGI
Automatic Network Replenishment (ANR)	Supported
Alarm	
Alarm Triggers	Alarm input / Network disconnect / Disk full / Disk error
Intelligent	Motion detection / Tampering / Guard line / Defocus / Scene change / Enter guard area / Exit guard area / Object left / Object removal / Gathering / Audio surge
Alarm Events	Alarm report / Recording / Text overlay / Snapshot / External output / Email notice / Acoustic alarm
Interfaces	
Ethernet	10/100M, RJ45 interface
Audio In / Out	1 x Built-in Mic / 2 x Line in / 1 x Line out
Control	1 x RS485
Alarm In / Out	1 x Input / 1 x Output
Video Out	1 x BNC, 1.0V [p-p] / 75Ω
Memory Slot	TF card slot, supports up to 128GB
Environmental	
Operating Temperature	-40°C ~ 60°C / -40°F ~ 140°F
Operating Humidity	10% ~ 95%
Protection Level	IK10
Electrical	
Power	12V DC ± 10% / PoE (IEEE802.3af)
Power Consumption	Max. 11W
Mechanical	
Weight	0.5 kg / 1.1lb (Gross Weight)
Dimensions	$\Phi 97.62 \times 67.65\text{mm} / \Phi 3.85" \times 2.67"$

IPC2440-HN-SIR30

4.0MP HD Network Mini IR Semi Dome Camera



Features

Excellent Image Quality

- 4.0 Megapixel 1/3" progressive scan CMOS sensor
- High definition and smooth picture, 2592×1520@20fps, 2048×1520@25fps, 1080p@30fps
- H.265 video codec, saves up to 50% bandwidth and storage
- Low illumination, 0.05lux with color picture
- WDR / HLC / 3D noise reduction

Mini size

- 0.5 kg / 1.1lb
- $\Phi 97.62 \times 67.65 \text{ mm} / \Phi 3.85" \times 2.67"$

Intelligent Functions

- Motion detection / Tampering / Guard line / Defocus / Scene change / Enter guard area / Exit guard area / Object left / Object removal / Gathering / Audio surge

Integrated High Efficiency IR

- Industrial IR LED with long operational lifespan
- 10 ~ 30m IR distance
- Smart IR function

A Variety of Installation Modes

- Supports 90°, 180°, 270° image rotation

Abundant Functions and Features

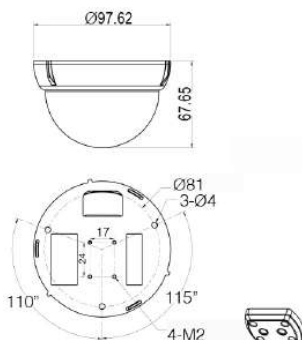
- TF card slot, supports Automatic Network Replenishment (ANR)
- Bi-directional audio / Built-in Mic / alarm in and out / video out / RS485
- 2 channel audio input simultaneously
- Dual-stream (2592×1520 + D1)
- PoE
- IK10

Specifications

IPC2440-HN-SIR30	
Camera	IPC2440-HN-SIR30
Image Sensor	1/3" progressive scan CMOS
Pixels	4.0 Megapixel
Min. Illumination	Color: 0.05lux @ (F1.6, AGC ON) B/W: 0lux with IR
Shutter Speed	1 ~ 1/30,000s
Day / Night	Auto (ICR) / Color / B/W
Wide Dynamic Range	Digital WDR
S/N Ratio	> 50dB
White Balance	Auto / Manual
Gain Control	Auto / Manual
Backlight Compensation	Off / WDR / BLC / HLC
Lens	M12
Mount Type	2.8mm (-L0280) / 3.6mm (-L0360) / 6mm (-L0600)
Focal Length	101.2° (-L0280) / 78.6° (-L0360) / 53.4° (-L0600)
Angle of View	Adjustment Range
Adjustment Range	Pan: -102.5° ~ 102.5° / Tilt: 0° ~ 70°
Infrared	
IR Distance	10 ~ 30m
IR Intensity	Smart IR
Video	
Compression	H.265 / H.264 / MJPEG
Image Resolution	Main stream: 2560×1440 Secondary stream: D1
Frame Rate	Main stream: 2592×1520@20fps, 2560×1440@25fps, 2048×1520@25fps, 1080p@30fps Secondary stream: D1@30fps
Bitrate	32kbps ~ 16Mbps
Bitrate Control	VBR / CBR
Dual-stream	Supported
Caption	Date and time / Alarm / Customized
Privacy Masking	Up to 4 zones
Motion Detection	Up to 4 zones
Video Freeze	Supported
ROI	Supported
Digital Noise Reduction	3D noise reduction
Digital Defog	Supported
Image Flip	Flip / Mirror / Rotation at 90°, 180°, 270°
Audio	
Compression	G.711a / G.711u / ADPCM / G.722 / AAC-LC / G.722.1c / G.726
Bitrate	32kbps ~ 64kbps
Audio Function	Bi-directional audio / AEC / Mixed audio recording / Dumb / Mute
Network	
Network Protocols	TCP/IP, UDP, HTTP, DHCP, DNS/DDNS, RTP/RTCP, RTSP, PPPoE, FTP, VSIP, UPnP, 802.1x, NAT, QoS, SMTP, IPv4, IPv6 (optional)
User Interface	IPC Control (IE, Firefox, Chrome)
Max. User Access	Max. 10 Users (includes 2 internal)
Application Programming	ONVIF (Profile S, Profile G), GB/T 28181-2011, API, CGI
Automatic Network Replenishment (ANR)	Supported
Alarm	
Alarm Triggers	Alarm input / Network disconnect / Disk full / Disk error
Intelligent	Motion detection / Tampering / Guard line / Defocus / Scene change / Enter guard area / Exit guard area / Object left / Object removal / Gathering / Audio surge
Alarm Events	Alarm report / Recording / Text overlay / Snapshot / External output / Email notice / Acoustic alarm
Interfaces	
Ethernet	10/100M, RJ45 interface
Audio In / Out	1 x Built-in Mic / 2 x Line in / 1 x Line out
Control	1 x RS485
Alarm In / Out	1 x Input / 1 x Output
Video Out	1 x BNC, 1.0V [p-p] / 75Ω
Memory Slot	TF card slot, supports up to 128GB
Environmental	
Operating Temperature	-40°C ~ 60°C / -40°F ~ 140°F
Operating Humidity	10% ~ 95%
Protection Level	IK10
Electrical	
Power	12V DC ± 10% / PoE (IEEE802.3af)
Power Consumption	Max. 11W
Mechanical	
Weight	0.5 kg / 1.1lb (Gross Weight)
Dimensions	$\Phi 97.62 \times 67.65 \text{ mm} / \Phi 3.85" \times 2.67"$

Dimensions

Units:mm



LC2110-AN

1.3MP HD Network IR Semi Dome Camera



Features

Excellent Image Quality

- 1.3 Megapixel 1/3" progressive scan CMOS sensor
- High definition and smooth picture, 960p@30fps
- H.264 high profile video codec, saves up to 30% bandwidth and storage
- Low illumination, 0.01lux with color picture
- WDR support / 3D noise reduction

Integrated High Efficiency IR

- Industrial IR LED with long operational lifespan
- 30m IR distance
- Smart IR function

A Variety of Installation Modes

- Supports 90°, 180°, 270° image rotation

Abundant Functions and Features

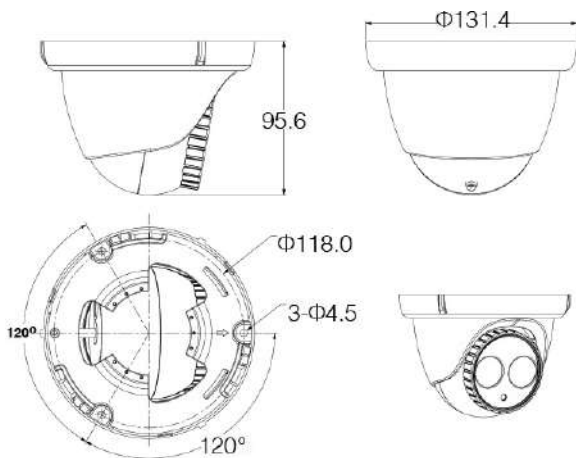
- TF card slot, supports Automatic Network Replenishment (ANR)
- Up to 3 Multi-stream
- PoE
- IP66

Specifications

	LC2110-AN(-IR1, -IR2, -IR3, -IR4, -IR5)
Camera	
Image Sensor	1/3" progressive scan CMOS
Pixels	1.3 Megapixel
Min. Illumination	Color: 0.01lux @ (F1.6, AGC ON)
Shutter Speed	B/W: 0lux with IR
Day / Night	1/10 ~ 1/10,000s
Wide Dynamic Range	Auto (ICR) / Color / B/W
S/N Ratio	Digital WDR
White Balance	>50dB
Gain Control	Auto / Manual
Backlight Compensation	Auto / Manual
Lens	Off / BLC / WDR
Mount Type	M12
Focal Length	2.8mm (-IR1) / 3.6mm (-IR2) / 6mm (-IR3) / 8mm (-IR4) / 12mm (-IR5)
Angle of View	96.3° (-IR1) / 74.5° (-IR2) / 46.3° (-IR3) / 35.5° (-IR4) / 23° (-IR5)
Adjustment Range	Pan: 0° ~ 360° / Tilt: 0° ~ 85° / Rotation: 0° ~ 360°
Infrared	
IR LED	1pcs IR LED
IR Distance	30m
IR Intensity	Smart IR
Video	
Compression	H.264 / MJPEG
Image Resolution	Main stream: 960p
	Secondary stream: D1
Frame Rate	Main stream: 960p@30fps
	Secondary stream: D1@30fps
Bitrate	32kbps ~ 16Mbps
Bitrate Control	VBR / CBR
Multi-stream	Supported
Caption	Date and time / Alarm / Customized
Privacy Masking	Up to 4 zones
Motion Detection	Up to 4 zones
Video Freeze	Supported
Digital Noise Reduction	3D noise reduction
Image Flip	Flip / Mirror / Rotation at 90°, 180°, 270°
Network	
Network Protocols	TCP/IP, UDP, HTTP, DHCP, DNS/DDNS, RTP/RTCP, RTSP, PPPoE, FTP, VSIP, UPnP, 802.1x, IPv4, IPv6 (optional)
User Interface	IPC Control (IE, Firefox, Chrome)
Max. User Access	Max. 10 Users (includes 2 internal)
Application Programming	ONVIF (Profile S), GB/T 28181-2011, API, CGI
Automatic Network Replenishment (ANR)	Supported
Alarm	
Alarm Triggers	Motion detection / Shield area / Network disconnect / Disk full / Disk Error
Alarm Events	Alarm report / Recording / Alarm caption / Snapshot
Interfaces	
Ethernet	10/100M, RJ45 interface
Memory Slot	TF card slot, supports up to 128GB
Environmental	
Operating Temperature	-30°C ~ 60°C / -22°F ~ 140°F
Operating Humidity	10% ~ 95%
Protection Level	IP66
Electrical	
Power	12V DC ± 10% / PoE (IEEE802.3af)
Power Consumption	Max. 10W
Mechanical	
Weight	1 kg / 2.2lb (Gross Weight)
Dimensions	Φ131.4 × 95.6mm / Φ5.17" × 3.76"

Dimensions

Units:mm



LC2110-AN-D

1.3MP HD Network IR Semi Dome Camera



Features

Excellent Image Quality

- 1.3 Megapixel 1/3" progressive scan CMOS sensor
- High definition and smooth picture, 960p@30fps
- H.264 high profile video codec, saves up to 30% bandwidth and storage
- Low illumination, 0.01lux with color picture
- WDR support / 3D noise reduction

Integrated High Efficiency IR

- Industrial IR LED with long operational lifespan
- 30m IR distance
- Smart IR function

A Variety of Installation Modes

- Supports 90°, 180°, 270° image rotation

Abundant Functions and Features

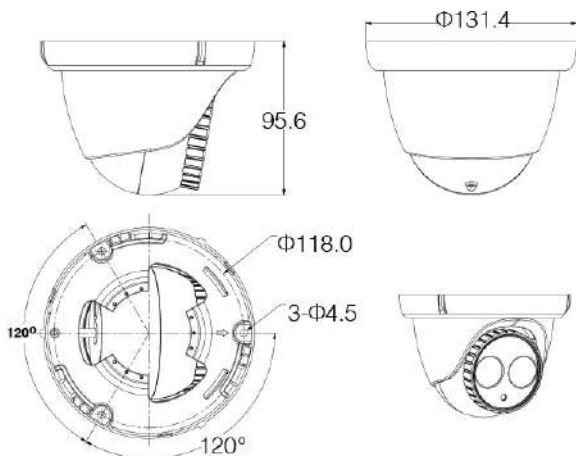
- TF card slot, supports Automatic Network Replenishment (ANR)
- Up to 3 Multi-stream
- IP66

Specifications

	LC2110-AN-D(IR1, IR2, IR3, IR4, IR5)
Camera	
Image Sensor	1/3" progressive scan CMOS
Pixels	1.3 Megapixel
Min. Illumination	Color: 0.01lux @ (F1.6, AGC ON)
Shutter Speed	B/W: 0lux with IR
Day / Night	1/10 ~ 1/10,000s
Wide Dynamic Range	Auto (ICR) / Color / B/W
S/N Ratio	Digital WDR
White Balance	>50dB
Gain Control	Auto / Manual
Backlight Compensation	Auto / Manual
	Off / BLC / WDR
Lens	
Mount Type	M12
Focal Length	2.8mm (IR1) / 3.6mm (IR2) / 6mm (IR3) / 8mm (IR4) / 12mm (IR5)
Angle of View	96.3° (IR1) / 74.5° (IR2) / 46.3° (IR3) / 35.5° (IR4) / 23° (IR5)
Adjustment Range	Pan: 0° ~ 360° / Tilt: 0° ~ 85° / Rotation: 0° ~ 360°
Infrared	
IR LED	1pcs IR LED
IR Distance	30m
IR Intensity	Smart IR
Video	
Compression	H.264 / MJPEG
Image Resolution	Main stream: 960p
	Secondary stream: D1
Frame Rate	Main stream: 960p@30fps
	Secondary stream: D1@30fps
Bitrate	32kbps ~ 16Mbps
Bitrate Control	VBR / CBR
Multi-stream	Supported
Caption	Date and time / Alarm / Customized
Privacy Masking	Up to 4 zones
Motion Detection	Up to 4 zones
Video Freeze	Supported
Digital Noise Reduction	3D noise reduction
Image Flip	Flip / Mirror / Rotation at 90°, 180°, 270°
Network	
Network Protocols	TCP/IP, UDP, HTTP, DHCP, DNS/DDNS, RTP/RTCP, RTSP, PPPoE, FTP, VSIP, UPnP, 802.1x, IPv4, IPv6 (optional)
User Interface	IPC Control (IE, Firefox, Chrome)
Max. User Access	Max. 10 Users (includes 2 internal)
Application Programming	ONVIF (Profile S), GB/T 28181-2011, API, CGI
Automatic Network Replenishment (ANR)	Supported
Alarm	
Alarm Triggers	Motion detection / Shield area / Network disconnect / Disk full / Disk Error
Alarm Events	Alarm report / Recording / Alarm caption / Snapshot
Interfaces	
Ethernet	10/100M, RJ45 interface
Memory Slot	TF card slot, supports up to 128GB
Environmental	
Operating Temperature	-30°C ~ 60°C / -22°F ~ 140°F
Operating Humidity	10% ~ 95%
Protection Level	IP66
Electrical	
Power	12V DC ± 10%
Power Consumption	Max. 10W
Mechanical	
Weight	1 kg / 2.2lb (Gross Weight)
Dimensions	Φ131.4 × 95.6mm / Φ5.17" × 3.76"

Dimensions

Units:mm



LC2110-BN-D

1.3MP HD Network IR Semi Dome Camera



Features

Excellent Image Quality

- 1.3 Megapixel 1/3" progressive scan CMOS sensor
- High definition and smooth picture, 960p@30fps
- Low illumination, 0.01lux with color picture
- WDR support / 3D noise reduction

Integrated High Efficiency IR

- Industrial IR LED with long operational lifespan
- 30m IR distance
- Smart IR function

Abundant Functions and Features

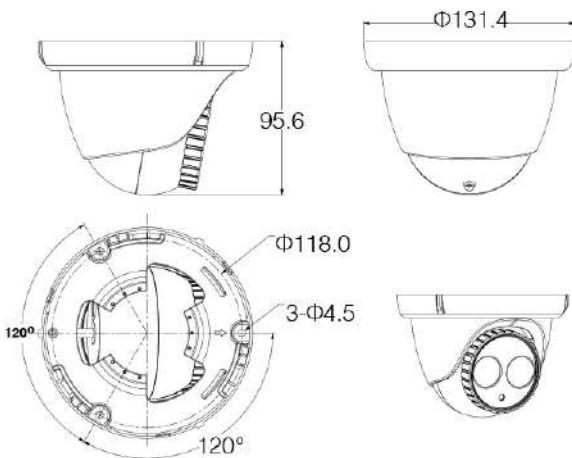
- Dual-stream (960p+D1)
- IP66

Specifications

	LC2110-BN-D(IR1, IR2, IR3, IR4, IR5)
Camera	
Image Sensor	1/3" progressive scan CMOS
Pixels	1.3 Megapixel
Min. Illumination	Color: 0.01lux @ (F1.6, AGC ON) B/W: 0lux with IR
Shutter Speed	1/10 ~ 1/10,000s
Day / Night	Auto (ICR) / Color / B/W
Wide Dynamic Range	Digital WDR
S/N Ratio	> 50dB
White Balance	Auto / Manual
Gain Control	Auto / Manual
Backlight Compensation	Off / BLC / WDR
Lens	
Mount Type	M12
Focal Length	2.8mm (IR1) / 3.6mm (IR2) / 6mm (IR3) / 8mm (IR4) / 12mm (IR5)
Angle of View	96.3° (IR1) / 74.5° (IR2) / 46.3° (IR3) / 35.5° (IR4) / 23° (IR5)
Adjustment Range	Pan: 0° ~ 360° / Tilt: 0° ~ 85° / Rotation: 0° ~ 360°
Infrared	
IR LED	1pcs IR LED
IR Distance	30m
IR Intensity	Smart IR
Video	
Compression	H.264
Image Resolution	Main stream: 960p Secondary stream: D1
Frame Rate	Main stream: 960p@30fps Secondary stream: D1@30fps
Bitrate	64kbps ~ 8Mbps
Bitrate Control	VBR / CBR
Dual-stream	Supported
Caption	Date and time / Alarm / Customized
Privacy Masking	Up to 4 zones
Motion Detection	Up to 4 zones
Video Freeze	Supported
Digital Noise Reduction	3D noise reduction
Image Flip	Flip / Mirror
Network	
Network Protocols	TCP/IP, UDP, HTTP, DHCP, DNS/DDNS, RTP/RTCP, RTSP, PPPoE, FTP, VSIP, UPnP, 802.1x, IPv4, IPv6 (optional)
User Interface	IPC Control (IE, Firefox, Chrome)
Max. User Access	Max. 10 Users (includes 2 internal)
Application Programming	ONVIF (Profile S), GB/T 28181-2011, API, CGI
Alarm	
Alarm Triggers	Motion detection
Alarm Events	Alarm caption / Snapshot
Interfaces	
Ethernet	10/100M, RJ45 interface
Environmental	
Operating Temperature	-30°C ~ 60°C / -22°F ~ 140°F
Operating Humidity	10% ~ 95%
Protection Level	IP66
Electrical	
Power	12V DC ± 10%
Power Consumption	Max. 11W
Mechanical	
Weight	1 kg / 2.2lb (Gross Weight)
Dimensions	Φ131.4 x 95.6mm / Φ5.17" x 3.76"

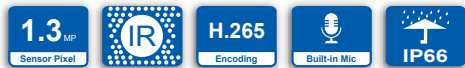
Dimensions

Units:mm



IPC2111-HN-DIR

1.3MP HD Network IR Semi Dome Camera



Features

Excellent Image Quality

- 1.3 Megapixel 1/3" progressive scan CMOS sensor
- High definition and smooth picture, 960p@30fps
- H.265 video codec, saves up to 50% bandwidth and storage
- Low illumination, 0.01lux with color picture
- WDR / HLC / 3D noise reduction

Intelligent Functions

- Motion detection / Tampering / Guard line / Enter guard area / Exit guard area

Integrated High Efficiency IR

- Industrial IR LED with long operational lifespan
- 30m IR distance
- Smart IR function

A Variety of Installation Modes

- Supports 90°, 180°, 270° image rotation

Abundant Functions and Features

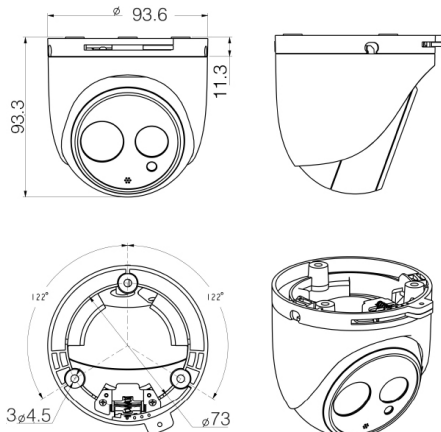
- Built-in Mic
- Dual-stream (960p + D1)
- Anti-fog glass
- IP66

Specifications

Camera	IPC2111-HN-DIR
Image Sensor	1/3" progressive scan CMOS
Pixels	1.3 Megapixel
Min. Illumination	Color: 0.01lux @ (F1.6, AGC ON) B/W: 0lux with IR
Shutter Speed	1 ~ 1/30,000s
Day / Night	Auto (ICR) / Color / B/W
Wide Dynamic Range	Digital WDR
S/N Ratio	>50dB
White Balance	Auto / Manual
Gain Control	Auto / Manual
Backlight Compensation	Off / WDR / BLC / HLC
Lens	
Mount Type	M12
Focal Length	2.8mm (-L0280) / 3.6mm (-L0360) / 6mm (-L0600) / 8mm (-L0800)
Angle of View	101.2° (-L0280) / 78.6° (-L0360) / 53.2° (-L0600) / 36.8° (-L0800)
Adjustment Range	Pan: 0° ~ 360° / Tilt: 0° ~ 85° / Rotation: 0° ~ 360°
Infrared	
IR Distance	30m
IR Intensity	Smart IR
Video	
Compression	H.265 / H.264 / MJPEG
Image Resolution	Main stream: 960p Secondary stream: D1
Frame Rate	Main stream: 960p@30fps Secondary stream: D1@30fps
Bitrate	64kbps ~ 16Mbps
Bitrate Control	VBR / CBR
Dual-stream	Supported
Caption	Date and time / Alarm / Customized
Privacy Masking	Up to 4 zones
Motion Detection	Up to 4 zones
ROI	Supported
Digital Noise Reduction	3D noise reduction
Digital Defog	Supported
Image Flip	Flip / Mirror / Rotation 90°, 180°, 270°
Audio	
Compression	G.711a / G.711u / ADPCM / G.722 / AAC-LC
Bitrate	32kbps ~ 64kbps
Network	
Network Protocols	TCP/IP, UDP, HTTP, DHCP, DNS/DDNS, RTP/RTCP, RTSP, PPPoE, FTP, VSIP, UPnP, 802.1x, NAT, QoS, SMTP, IPv4, IPv6 (optional)
User Interface	IPC Control (IE, Firefox, Chrome)
Max. User Access	Max. 10 Users (includes 2 internal)
Application Programming	ONVIF (Profile S, Profile G), GB/T 28181-2011, API, CGI
Alarm	
Alarm Triggers	Network disconnect
Intelligent	Motion detection / Tampering / Guard line / Enter guard area / Exit guard area
Alarm Events	Alarm report / Text overlay / Email notice
Interfaces	
Ethernet	10/100M, RJ45 interface
Audio	1 x Built-in Mic
Environmental	
Operating Temperature	-40°C ~ 60°C / -40°F ~ 140°F
Operating Humidity	10% ~ 95%
Protection level	IP66
Electrical	
Power	12V DC ± 10% / External PoE (Optional)
Power Consumption	Max. 11W
Mechanical	
Weight	1 kg / 2.2lb (Gross Weight)
Dimensions	Ø93.6 × 93.3mm / Ø3.69" × 3.68"

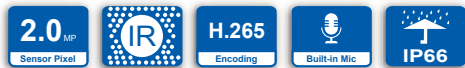
Dimensions

Units:mm



IPC2211-HN-DIR

2.0MP HD Network IR Semi Dome Camera



Features

Excellent Image Quality

- 2.0 Megapixel 1/3" progressive scan CMOS sensor
- High definition and smooth picture, 1080p@30fps
- H.265 video codec, saves up to 50% bandwidth and storage
- Low illumination, 0.03lux with color picture
- WDR / HLC / 3D noise reduction

Intelligent Functions

- Motion detection / Tampering / Guard line / Enter guard area / Exit guard area

Integrated High Efficiency IR

- Industrial IR LED with long operational lifespan
- 30m IR distance
- Smart IR function

A Variety of Installation Modes

- Supports 90°, 180°, 270° image rotation

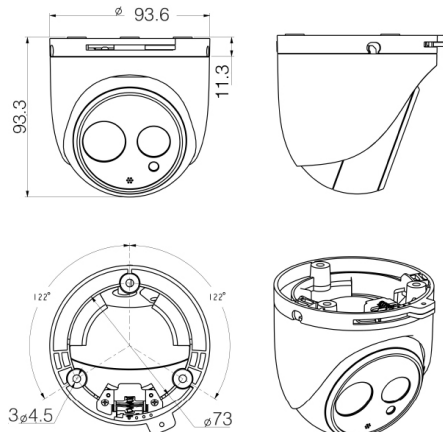
Abundant Functions and Features

- Built-in Mic
- Dual-stream (1080p + D1)
- Anti-fog glass
- IP66

Specifications

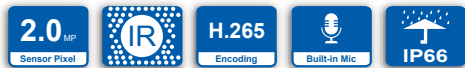
	IPC2211-HN-DIR
Camera	
Image Sensor	1/3" progressive scan CMOS
Pixels	2.0 Megapixel
Min. Illumination	Color: 0.03lux @ (F1.6, AGC ON) B/W: 0lux with IR
Shutter Speed	1 ~ 1/30,000s
Day / Night	Auto (ICR) / Color / B/W
Wide Dynamic Range	Digital WDR
S/N Ratio	> 50dB
White Balance	Auto / Manual
Gain Control	Auto / Manual
Backlight Compensation	Off / WDR / BLC / HLC
Lens	
Mount Type	M12
Focal Length	2.8mm (-L0280) / 3.6mm (-L0360) / 6mm (-L0600) / 8mm (-L0800)
Angle of View	101.2° (-L0280) / 78.6° (-L0360) / 53.2° (-L0600) / 36.8° (-L0800)
Adjustment Range	Pan: 0° ~ 360° / Tilt: 0° ~ 85° / Rotation: 0° ~ 360°
Infrared	
IR Distance	30m
IR Intensity	Smart IR
Video	
Compression	H.265 / H.264 / MJPEG
Image Resolution	Main stream: 1080p Secondary stream: D1
Frame Rate	Main stream: 1080p@30fps Secondary stream: D1@30fps
Bitrate	64kbps ~ 16Mbps
Bitrate Control	VBR / CBR
Dual-stream	Supported
Caption	Date and time / Alarm / Customized
Privacy Masking	Up to 4 zones
Motion Detection	Up to 4 zones
ROI	Supported
Digital Noise Reduction	3D noise reduction
Digital Defog	Supported
Image Flip	Flip / Mirror / Rotation 90°, 180°, 270°
Audio	
Compression	G.711a / G.711u / ADPCM / G.722 / AAC-LC
Bitrate	32kbps ~ 64kbps
Network	
Network Protocols	TCP/IP, UDP, HTTP, DHCP, DNS/DDNS, RTP/RTCP, RTSP, PPPoE, FTP, VSIP, UPnP, 802.1x, NAT, QoS, SMTP, IPv4, IPv6 (optional)
User Interface	IPC Control (IE, Firefox, Chrome)
Max. User Access	Max. 10 Users (includes 2 internal)
Application Programming	ONVIF (Profile S, Profile G), GB/T 28181-2011, API, CGI
Alarm	
Alarm Triggers	Network disconnect
Intelligent	Motion detection / Tampering / Guard line / Enter guard area / Exit guard area
Alarm Events	Alarm report / Text overlay / Email notice
Interfaces	
Ethernet	10/100M, RJ45 interface
Audio	1 x Built-in Mic
Environmental	
Operating Temperature	-40°C ~ 60°C / -40°F ~ 140°F
Operating Humidity	10% ~ 95%
Protection level	IP66
Electrical	
Power	12V DC ± 10% / External PoE (Optional)
Power Consumption	Max. 11W
Mechanical	
Weight	1 kg / 2.2lb (Gross Weight)
Dimensions	Ø93.6 x 93.3mm / Ø3.69" x 3.68"

Dimensions Units:mm



IPC2211-HN-PIR

2.0MP HD Network IR Semi Dome Camera



Features

Excellent Image Quality

- 2.0 Megapixel 1/3" progressive scan CMOS Sensor
- High definition and smooth picture, 1080p@30fps
- H.265 video codec, saves up to 50% bandwidth and storage
- Low illumination, 0.03lux with color picture
- WDR / HLC / 3D noise reduction

Intelligent Functions

- Motion detection / Tampering / Guard line / Enter guard area / Exit guard area

Integrated High Efficiency IR

- Industrial IR LED with long operational lifespan
- 30m IR distance
- Smart IR function

A Variety of Installation Modes

- Supports 90°, 180°, 270° image rotation

Abundant Functions and Features

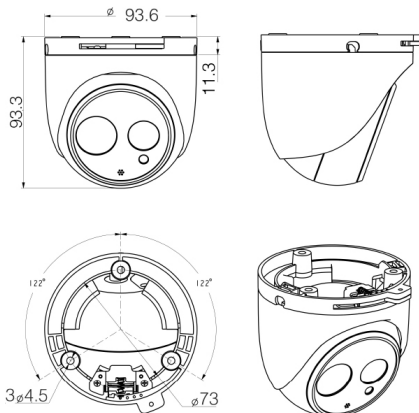
- TF card slot, supports Automatic Network Replenishment (ANR)
- Built-in Mic
- Dual-stream (1080p + D1)
- Anti-fog glass
- PoE
- IP66

Specifications

IPC2211-HN-PIR	
Camera	
Image Sensor	1/3" progressive scan CMOS
Pixels	2.0 Megapixel
Min. Illumination	Color: 0.03lux @ (F1.6, AGC ON) B/W: 0lux with IR
Shutter Speed	1 ~ 1/30,000s
Day / Night	Auto (ICR) / Color / B/W
Wide Dynamic Range	Digital WDR
S/N Ratio	>50dB
White Balance	Auto / Manual
Gain Control	Auto / Manual
Backlight Compensation	Off / WDR / BLC / HLC
Lens	
Mount Type	M12
Focal Length	2.8mm (-L0280) / 3.6mm (-L0360) / 6mm (-L0600) / 8mm (-L0800)
Angle of View	101.2° (-L0280) / 78.6° (-L0360) / 53.2° (-L0600) / 36.8° (-L0800)
Adjustment Range	Pan: 0° ~ 360° / Tilt: 0° ~ 85° / Rotation: 0° ~ 360°
Infrared	
IR Distance	30m
IR Intensity	Smart IR
Video	
Compression Format	H.265 / H.264 / MJPEG
Image Resolution	Main stream: 1080p Secondary stream: D1
Frame Rate	Main stream: 1080p@30fps Secondary stream: D1@30fps
Bitrate	64kbps ~ 16Mbps
Bitrate Control	VBR / CBR
Dual-stream	Supported
Caption	Date and time / Alarm / Customized
Privacy Masking	Up to 4 zones
Motion Detection	Up to 4 zones
ROI	Supported
Digital Noise Reduction	3D noise reduction
Digital Defog	Supported
Image Flip	Flip / Mirror / Rotation at 90°, 180°, 270°
Audio	
Compression	G.711a / G.711u / ADPCM / G.722 / AAC-LC / G.722.1c / G.726
Bitrate	32kbps ~ 64kbps
Audio Function	AEC / Dumb
Network	
Network Protocols	TCP/IP, UDP, HTTP, DHCP, DNS/DDNS, RTP/RTCP, RTSP, PPPoE, FTP, VSIP, UPnP, 802.1x, NAT, QoS, SMTP, IPv4, IPv6 (optional)
User Interface	IPC Control (IE, Firefox, Chrome)
Max. User Access	Max. 10 Users (includes 2 internal)
Application Programming	ONVIF (Profile S, Profile G), GB/T 28181-2011, API, CGI
Automatic Network Replenishment (ANR)	Supported
Alarm	
Alarm Triggers	Alarm input / Network disconnect / Disk full / Disk error
Intelligent	Motion detection / Tampering / Guard line / Enter guard area / Exit guard area
Alarm Events	Alarm report / Recording / Text overlay / Snapshot / External output / Email notice / Acoustic alarm
Interfaces	
Ethernet	10/100M, RJ45 interface
Audio In / Out	1 x Built-in Mic
Memory Slot	TF card slot, supports up to 128GB
Environmental	
Operating Temperature	-40°C ~ 60°C / -40°F ~ 140°F
Operating Humidity	10% ~ 95%
Protection level	IP66
Electrical	
Power	12V DC ± 10% / PoE (IEEE802.3af)
Power Consumption	Max. 11W
Mechanical	
Weight	1kg / 2.2lb (Gross Weight)
Dimensions	Ø93.6 × 93.3mm / Ø3.69" × 3.68"

Dimensions

Units:mm



IPC2211-HN-SIR

2.0MP HD Network IR Semi Dome Camera



Features

Excellent Image Quality

- 2.0 Megapixel 1/3" progressive scan CMOS sensor
- High definition and smooth picture, 1080p@30fps
- H.265 video codec, saves up to 50% bandwidth and storage
- Low illumination, 0.03lux with color picture
- WDR / HLC / 3D noise reduction

Intelligent Functions

- Motion detection / Tampering / Guard line / Defocus / Scene change / Enter guard area / Exit guard area / Object left / Object removal / Gathering / Audio surge

Integrated High Efficiency IR

- Industrial IR LED with long operational lifespan
- 30m IR distance
- Smart IR function

A Variety of Installation Modes

- Supports 90°, 180°, 270° image rotation

Abundant Functions and Features

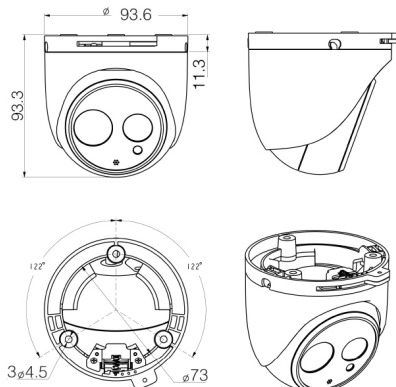
- TF card slot, supports Automatic Network Replenishment (ANR)
- Bi-directional audio / Built-in Mic / alarm in and out / video out / RS485
- 2 channel audio input simultaneously
- Dual-stream (1080p + D1)
- Anti-fog glass
- PoE
- IP66

Specifications

IPC2211-HN-SIR	
Camera	IPC2211-HN-SIR
Image Sensor	1/3" progressive scan CMOS
Pixels	2.0 Megapixel
Min. Illumination	Color: 0.03lux @ (F1.6, AGC ON) B/W: 0lux with IR
Shutter Speed	1 ~ 1/30,000s
Day / Night	Auto (ICR) / Color / B/W
Wide Dynamic Range	Digital WDR
S/N Ratio	>50dB
White Balance	Auto / Manual
Gain Control	Auto / Manual
Backlight Compensation	Off / WDR / BLC / HLC
Lens	
Mount Type	M12
Focal Length	2.8mm (-L0280) / 3.6mm (-L0360) / 6mm (-L0600) / 8mm (-L0800)
Angle of View	101.2° (-L0280) / 78.6° (-L0360) / 53.2° (-L0600) / 36.8° (-L0800)
Adjustment Range	Pan: 0° ~ 360° / Tilt: 0° ~ 85° / Rotation: 0° ~ 360°
Infrared	
IR Distance	30m
IR Intensity	Smart IR
Video	
Compression	H.265 / H.264 / MJPEG
Image Resolution	Main stream: 1080p Secondary stream: D1
Frame Rate	Main stream: 1080p@30fps Secondary stream: D1@30fps
Bitrate	64kbps ~ 16Mbps
Bitrate Control	VBR / CBR
Dual-stream	Supported
Caption	Date and time / Alarm / Customized
Privacy Masking	Up to 4 zones
Motion Detection	Up to 4 zones
ROI	Supported
Digital Noise Reduction	3D noise reduction
Digital Defog	Supported
Image Flip	Flip / Mirror / Rotation 90°, 180°, 270°
Audio	
Compression	G.711a / G.711u / ADPCM / G.722 / AAC-LC
Bitrate	32kbps ~ 64kbps
Audio Function	Bi-directional audio / AEC / Mixed audio recording / Dumb / Mute
Network	
Network Protocols	TCP/IP, UDP, HTTP, DHCP, DNS/DDNS, RTP/RTCP, RTSP, PPPoE, FTP, VSIP, UPnP, 802.1x, NAT, QoS, SMTP, IPv4, IPv6 (optional)
User Interface	IPC Control (IE, Firefox, Chrome)
Max. User Access	Max. 10 Users (includes 2 internal)
Application Programming	ONVIF (Profile S, Profile G), GB/T 28181-2011, API, CGI
Automatic Network Replenishment (ANR)	Supported
Alarm	
Alarm Triggers	Alarm input / Network disconnect / Disk full / Disk error
Intelligent	Motion detection / Tampering / Guard line / Defocus / Scene change / Enter guard area / Exit guard area / Object left / Object removal / Gathering / Audio surge
Alarm Events	Alarm report / Recording / Text overlay / Snapshot / External output / Email notice / Acoustic alarm
Interfaces	
Ethernet	10/100M, RJ45 interface
Audio In / Out	2 x Line in / 1 x Line out / 1 x Built-in Mic
Control	1 x RS485
Alarm In / Out	1 x Input / 1 x Output
Video Out	1 x BNC, 1.0V [p-p] / 75Ω
Memory Slot	TF card slot, supports up to 128GB
Environmental	
Operating Temperature	-40°C ~ 60°C / -40°F ~ 140°F
Operating Humidity	10% ~ 95%
Protection level	IP66
Electrical	
Power	12V DC ± 10% / PoE (IEEE802.3af)
Power Consumption	Max. 11W
Mechanical	
Weight	1 kg / 2.2lb (Gross Weight)
Dimensions	Φ93.6 × 93.3mm / Φ3.69" × 3.68"

Dimensions

Units:mm



IPC2411-HN-DIR

4.0MP HD Network IR Semi Dome Camera



Features

Excellent Image Quality

- 4.0 Megapixel 1/3" progressive scan CMOS sensor
- High definition and smooth picture, 2592x1520@20fps, 2048x1520@25fps, 1080p@30fps
- H.265 video codec, saves up to 50% bandwidth and storage
- Low illumination, 0.05lux with color picture
- WDR / HLC / 3D noise reduction

Intelligent Functions

- Motion detection / Tampering / Guard line / Enter guard area / Exit guard area

Integrated High Efficiency IR

- Industrial IR LED with long operational lifespan
- 30m IR distance
- Smart IR function

A Variety of Installation Modes

- Supports 90°, 180°, 270° image rotation

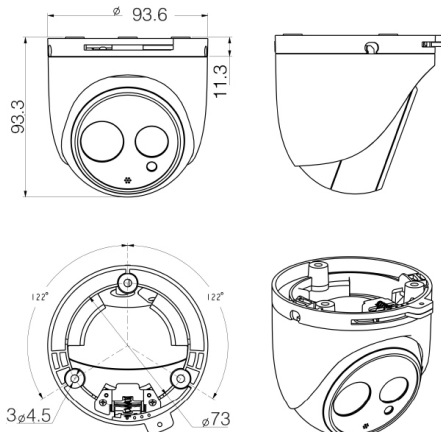
Abundant Functions and Features

- Built-in Mic
- Dual-stream (2592x1520 + D1)
- Anti-fog glass
- IP66

Specifications

	IPC2411-HN-DIR
Camera	
Image Sensor	1/3" progressive scan CMOS
Pixels	4.0 Megapixel
Min. Illumination	Color: 0.05lux @ (F1.6, AGC ON) B/W: 0lux with IR
Shutter Speed	1 ~ 1/30,000s
Day / Night	Auto (ICR) / Color / B/W
Wide Dynamic Range	Digital WDR
S/N Ratio	> 50dB
White Balance	Auto / Manual
Gain Control	Auto / Manual
Backlight Compensation	Off / WDR / BLC / HLC
Lens	
Mount Type	M12
Focal Length	2.8mm (-L0280) / 3.6mm (-L0360) / 6mm (-L0600) / 8mm (-L0800)
Angle of View	101.2° (-L0280) / 78.6° (-L0360) / 53.2° (-L0600) / 36.8° (-L0800)
Adjustment Range	Pan: 0° ~ 360° / Tilt: 0° ~ 85° / Rotation: 0° ~ 360°
Infrared	
IR Distance	30m
IR Intensity	Smart IR
Video	
Compression	H.265 / H.264 / MJPEG
Image Resolution	Main stream: 2592x1520 Secondary stream: D1
Frame Rate	Main stream: 2592x1520@20fps, 2048x1520@25fps, 1080p@30fps Secondary stream: D1@30fps
Bitrate	64kbps ~ 16Mbps
Bitrate Control	VBR / CBR
Dual-stream	Supported
Caption	Date and time / Alarm / Customized
Privacy Masking	Up to 4 zones
Motion Detection	Up to 4 zones
ROI	Supported
Digital Noise Reduction	3D noise reduction
Digital Defog	Supported
Image Flip	Flip / Mirror / Rotation 90°, 180°, 270°
Audio	
Compression	G.711a / G.711u / ADPCM / G.722 / AAC-LC
Bitrate	32kbps ~ 64kbps
Network	
Network Protocols	TCP/IP, UDP, HTTP, DHCP, DNS/DDNS, RTP/RTCP, RTSP, PPPoE, FTP, VSIP, UPnP, 802.1x, NAT, QoS, SMTP, IPv4, IPv6 (optional)
User Interface	IPC Control (IE, Firefox, Chrome)
Max. User Access	Max. 10 Users (includes 2 internal)
Application Programming	ONVIF (Profile S, Profile G), GB/T 28181-2011, API, CGI
Alarm	
Alarm Triggers	Network disconnect
Intelligent	Motion detection / Tampering / Guard line / Enter guard area / Exit guard area
Alarm Events	Alarm report / Text overlay / Email notice
Interfaces	
Ethernet	10/100M, RJ45 interface
Audio	1 x Built-in Mic
Environmental	
Operating Temperature	-40°C ~ 60°C / -40°F ~ 140°F
Operating Humidity	10% ~ 95%
Protection level	IP66
Electrical	
Power	12V DC ± 10% / External PoE (Optional)
Power Consumption	Max. 11W
Mechanical	
Weight	1 kg / 2.2lb (Gross Weight)
Dimensions	Ø93.6 x 93.3mm / Ø3.69" x 3.68"

Dimensions Units:mm



IPC2411-HN-PIR

4.0MP HD Network IR Semi Dome Camera



Features

Excellent Image Quality

- 4.0 Megapixel 1/3" progressive scan CMOS Sensor
- High definition and smooth picture, 2592x1520@20fps, 2048x1520@25fps, 1080p@30fps
- H.265 video codec, saves up to 50% bandwidth and storage
- Low illumination, 0.05lux with color picture
- WDR / HLC / 3D noise reduction

Intelligent Functions

- Motion detection / Tampering / Guard line / Enter guard area / Exit guard area

Integrated High Efficiency IR

- Industrial IR LED with long operational lifespan
- 30m IR distance
- Smart IR function

A Variety of Installation Modes

- Supports 90°, 180°, 270° image rotation

Abundant Functions and Features

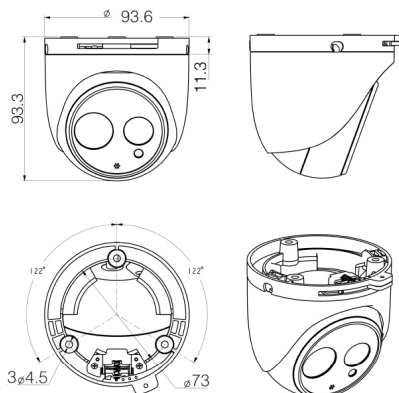
- TF card slot, supports Automatic Network Replenishment (ANR)
- Built-in Mic
- Dual-stream (1080p + D1)
- Anti-fog glass
- PoE
- IP66

Specifications

IPC2411-HN-PIR	
Camera	
Image Sensor	1/3" progressive scan CMOS
Pixels	4.0 Megapixel
Min. Illumination	Color: 0.05lux @ (F1.6, AGC ON)
Shutter Speed	B/W: 0lux with IR
Day / Night	1 ~ 1/30,000s
Wide Dynamic Range	Auto (ICR) / Color / B/W
S/N Ratio	Digital WDR
White Balance	> 50dB
Gain Control	Auto / Manual
Backlight Compensation	Auto / Manual
	Off / WDR / BLC / HLC
Lens	
Mount Type	M12
Focal Length	2.8mm (-L0280) / 3.6mm (-L0360) / 6mm (-L0600) / 8mm (-L0800)
Angle of View	101.2° (-L0280) / 78.6° (-L0360) / 53.2° (-L0600) / 36.8° (-L0800)
Adjustment Range	Pan: 0° ~ 360° / Tilt: 0° ~ 85° / Rotation: 0° ~ 360°
Infrared	
IR Distance	30m
IR Intensity	Smart IR
Video	
Compression Format	H.265 / H.264 / MJPEG
Image Resolution	Main stream: 2592x1520 Secondary stream: D1
Frame Rate	Main stream: 2592x1520@20fps, 2048x1520@25fps, 1080p@30fps Secondary stream: D1@30fps
Bitrate	64kbps ~ 16Mbps
Bitrate Control	VBR / CBR
Dual-stream	Supported
Caption	Date and time / Alarm / Customized
Privacy Masking	Up to 4 zones
Motion Detection	Up to 4 zones
ROI	Supported
Digital Noise Reduction	3D noise reduction
Digital Defog	Supported
Image Flip	Flip / Mirror / Rotation at 90°, 180°, 270°
Audio	
Compression	G.711a / G.711u / ADPCM / G.722 / AAC-LC / G.722.1c / G.726
Bitrate	32kbps ~ 64kbps
Audio Function	AEC / Dumb
Network	
Network Protocols	TCP/IP, UDP, HTTP, DHCP, DNS/DDNS, RTP/RTCP, RTSP, PPPoE, FTP, VSIP, UPnP, 802.1x, NAT, QoS, SMTP, IPv4, IPv6 (optional)
User Interface	IPC Control (IE, Firefox, Chrome)
Max. User Access	Max. 10 Users (includes 2 internal)
Application Programming	ONVIF (Profile S, Profile G), GB/T 28181-2011, API, CGI
Automatic Network Replenishment (ANR)	Supported
Alarm	
Alarm Triggers	Alarm input / Network disconnect / Disk full / Disk error
Intelligent	Motion detection / Tampering / Guard line / Enter guard area / Exit guard area
Alarm Events	Alarm report / Recording / Text overlay / Snapshot / External output / Email notice / Acoustic alarm
Interfaces	
Ethernet	10/100M, RJ45 interface
Audio In / Out	1 x Built-in Mic
Memory Slot	TF card slot, supports up to 128GB
Environmental	
Operating Temperature	-40°C ~ 60°C / -40°F ~ 140°F
Operating Humidity	10% ~ 95%
Protection level	IP66
Electrical	
Power	12V DC ± 10% / PoE (IEEE802.3af)
Power Consumption	Max. 11W
Mechanical	
Weight	1kg / 2.2lb (Gross Weight)
Dimensions	Ø93.6 × 93.3mm / Ø3.69" × 3.68"

Dimensions

Units:mm



IPC2411-HN-SIR

4.0MP HD Network IR Semi Dome Camera



Features

Excellent Image Quality

- 4.0 Megapixel 1/3" progressive scan CMOS sensor
- High definition and smooth picture, 2592×1520@20fps, 2048×1520@25fps, 1080p@30fps
- H.265 video codec, saves up to 50% bandwidth and storage
- Low illumination, 0.05lux with color picture
- WDR / HLC / 3D noise reduction

Intelligent Functions

- Motion detection / Tampering / Guard line / Defocus / Scene change / Enter guard area / Exit guard area / Object left / Object removal / Gathering / Audio surge

Integrated High Efficiency IR

- Industrial IR LED with long operational lifespan
- 30m IR distance
- Smart IR function

A Variety of Installation Modes

- Supports 90°, 180°, 270° image rotation

Abundant Functions and Features

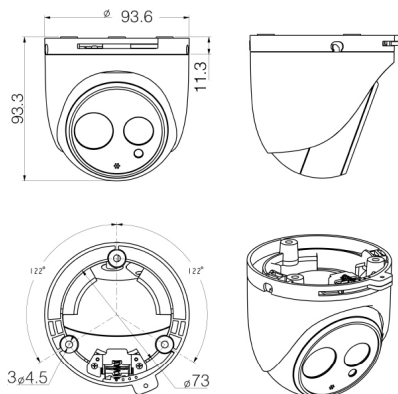
- TF card slot, supports Automatic Network Replenishment (ANR)
- Bi-directional audio / Built-in Mic / alarm in and out / video out / RS485
- 2 channel audio input simultaneously
- Dual-stream (2592×1520 + D1)
- Anti-fog glass
- PoE
- IP66

Specifications

IPC2411-HN-SIR	
Camera	IPC2411-HN-SIR
Image Sensor	1/3" progressive scan CMOS
Pixels	4.0 Megapixel
Min. Illumination	Color: 0.05lux @ (F1.6, AGC ON) B/W: 0lux with IR
Shutter Speed	1 ~ 1/30,000s
Day / Night	Auto (ICR) / Color / B/W
Wide Dynamic Range	Digital WDR
S/N Ratio	>50dB
White Balance	Auto / Manual
Gain Control	Auto / Manual
Backlight Compensation	Off / WDR / BLC / HLC
Lens	
Mount Type	M12
Focal Length	2.8mm (-L0280) / 3.6mm (-L0360) / 6mm (-L0600) / 8mm (-L0800)
Angle of View	101.2° (-L0280) / 78.6° (-L0360) / 53.2° (-L0600) / 36.8° (-L0800)
Adjustment Range	Pan: 0° ~ 360° / Tilt: 0° ~ 85° / Rotation: 0° ~ 360°
Infrared	
IR Distance	30m
IR Intensity	Smart IR
Video	
Compression	H.265 / H.264 / MJPEG
Image Resolution	Main stream: 2592×1520 Secondary stream: D1
Frame Rate	Main stream: 2592×1520@20fps, 2048×1520@25fps, 1080p@30fps Secondary stream: D1@30fps
Bitrate	64kbps ~ 16Mbps
Bitrate Control	VBR / CBR
Dual-stream	Supported
Caption	Date and time / Alarm / Customized
Privacy Masking	Up to 4 zones
Motion Detection	Up to 4 zones
ROI	Supported
Digital Noise Reduction	3D noise reduction
Digital Defog	Supported
Image Flip	Flip / Mirror / Rotation 90°, 180°, 270°
Audio	
Compression	G.711a / G.711u / ADPCM / G.722 / AAC-LC
Bitrate	32kbps ~ 64kbps
Audio Function	Bi-directional audio / AEC / Mixed audio recording / Dumb / Mute
Network	
Network Protocols	TCP/IP, UDP, HTTP, DHCP, DNS/DDNS, RTP/RTCP, RTSP, PPPoE, FTP, VSIP, UPnP, 802.1x, NAT, QoS, SMTP, IPv4, IPv6 (optional)
User Interface	IPC Control (IE, Firefox, Chrome)
Max. User Access	Max. 10 Users (includes 2 internal)
Application Programming	ONVIF (Profile S, Profile G), GB/T 28181-2011, API, CGI
Automatic Network Replenishment (ANR)	Supported
Alarm	
Alarm Triggers	Alarm input / Network disconnect / Disk full / Disk error
Intelligent	Motion detection / Tampering / Guard line / Defocus / Scene change / Enter guard area / Exit guard area / Object left / Object removal / Gathering / Audio surge
Alarm Events	Alarm report / Recording / Text overlay / Snapshot / External output / Email notice / Acoustic alarm
Interfaces	
Ethernet	10/100M, RJ45 interface
Audio In / Out	2 x Line in / 1 x Line out / 1 x Built-in Mic
Control	1 x RS485
Alarm In / Out	1 x Input / 1 x Output
Video Out	1 x BNC, 1.0V [p-p] / 75Ω
Memory Slot	TF card slot, supports up to 128GB
Environmental	
Operating Temperature	-40°C ~ 60°C / -40°F ~ 140°F
Operating Humidity	10% ~ 95%
Protection level	IP66
Electrical	
Power	12V DC ± 10% / PoE (IEEE802.3af)
Power Consumption	Max. 11W
Mechanical	
Weight	1 kg / 2.2lb (Gross Weight)
Dimensions	Φ93.6 × 93.3mm / Φ3.69" × 3.68"

Dimensions

Units:mm



IPC2131-AN-L

1.3MP HD Network Vandal-Proof Semi Dome Camera



Features

Excellent Image Quality

- 1.3 Megapixel 1/3" progressive scan CMOS sensor
- High definition and smooth picture, 960p@30fps
- H.264 high profile video codec, saves up to 30% bandwidth and storage
- Low illumination, 0.01lux with color picture
- WDR support / 3D noise reduction / Auto Iris (-L1, -L2 only)

Vandal-Proof

- Above IK10 @ 50J collision energy

A Variety of Installation Modes

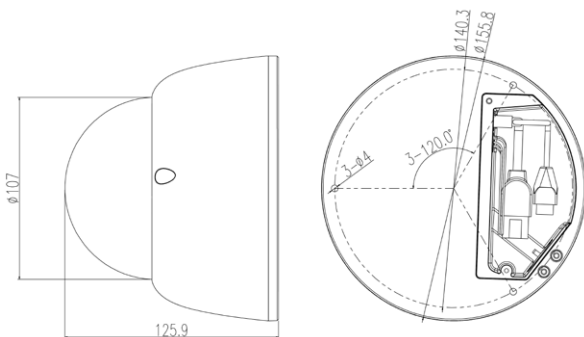
- Supports 90°, 180°, 270° image rotation
- Varifocal lens (-L1, -L2 only)

Abundant Functions and Features

- TF card slot, supports Automatic Network Replenishment (ANR)
- Dual-stream (960p + D1)
- Bi-directional audio / alarm in and out / video out / RS485
- One click autofocus (-L2 only)
- PoE
- IP67

Dimensions

Units:mm



Specifications

	IPC2131-AN(-L1, -L2, -L3, -L4)
Camera	
Image Sensor	1/3" progressive scan CMOS
Pixels	1.3 Megapixel
Min. Illumination	Color: 0.01lux @ (F1.2, AGC ON) B/W: 0.001lux @ (F1.2, AGC ON)
Shutter Speed	1/10 ~ 1/10,000s
Day / Night	Auto (ICR) / Color / B/W
Wide Dynamic Range	Digital WDR
S/N Ratio	>50dB
White Balance	Auto / Manual
Gain Control	Auto / Manual
Backlight Compensation	Off / BLC / WDR
Lens	
Mount Type	-L1, -L2: Φ 14 -L3: CS -L4: M12
Iris	-L1, -L2: Auto Iris (DC drive) -L3: Manual Iris -L4: Fixed Iris
Focal Length	-L1: 2.7 ~ 9mm @ F1.2 manual varifocal lens -L2: 2.7 ~ 9mm @ F1.2 motorized varifocal lens -L3: 2.2mm -L4: 2.0mm
Focus Control	-L1: Manual -L2: Manual / Semi-Automatic
Angle of View	-L1, -L2: 99° ~ 55° -L3: 129° -L4: 149°
Adjustment Range	Pan: 0° ~ 355° / Tilt: 0° ~ 75° / Rotation: 0° ~ 355°
Video	
Compression	H.264 / MJPEG
Image Resolution	Main stream: 960p Secondary stream: D1
Frame Rate	Main stream: 960p@30fps Secondary stream: D1@30fps
Bitrate	64kbps ~ 8Mbps
Bitrate Control	VBR / CBR
Dual-stream	Supported
Caption	Date and time / Alarm / Customized
Privacy Masking	Up to 4 zones
Motion Detection	Up to 4 zones
Video Freeze	Supported
Digital Noise Reduction	3D noise reduction
Image Flip	Flip / Mirror / Rotation at 90°, 180°, 270°
Audio	
Compression	G.711a / G.711u / ADPCM / G.722 / AAC-LC
Bitrate	32kbps ~ 64kbps
Audio Function	Bi-directional audio / AEC / Mixed audio recording / Dumb / Mute
Network	
Network Protocols	TCP/IP, UDP, HTTP, DHCP, DNS/DDNS, RTP/RTCP, RTSP, PPPoE, FTP, VSIP, IPv4, IPv6 (optional)
User Interface	IPC Control (IE)
Max. User Access	Max. 10 Users (includes 2 internal)
Application Programming	ONVIF (Profile S), GB/T 28181-2011, API, CGI
Automatic Network Replenishment (ANR)	Supported
Alarm	
Alarm Triggers	Motion detection / Alarm input
Alarm Events	Alarm caption / Snapshot / External output
Interfaces	
Ethernet	10/100M, RJ45 interface
Audio In / Out	1 x Line in / 1 x Line out
Control	1 x RS485
Alarm In / Out	1 x Input / 1 x Output
Video Out	1 x BNC, 1.0V [p-p] / 75 Ω
Memory Slot	TF card slot, supports up to 128GB
Environmental	
Operating Temperature	-30°C ~ 60°C / -22°F ~ 140°F
Operating Humidity	10% ~ 95%
Protection Level	IK10+ @50J, IP67
Electrical	
Power	12V DC \pm 10% / PoE (IEEE802.3af)
Power Consumption	Max. 10W
Mechanical	
Weight	1 kg / 2.2lb (Gross Weight)
Dimensions	Φ 155.8 x 125.9mm / Φ 6.14" x 4.96"

IPC2131-AN-IR

1.3MP HD Network Vandal-Proof Varifocal IR Semi Dome Camera



Features

Excellent Image Quality

- 1.3 Megapixel 1/3" progressive scan CMOS sensor
- High definition and smooth picture, 960p@30fps
- H.264 high profile video codec, saves up to 30% bandwidth and storage
- Low illumination, 0.01lux with color picture
- WDR support / 3D noise reduction / Auto Iris

Vandal-Proof

- Above IK10 @ 50J collision energy

Integrated High Efficiency IR

- Industrial IR LED with long operational lifespan
- 20 ~ 40m IR distance
- Smart IR function

A Variety of Installation Modes

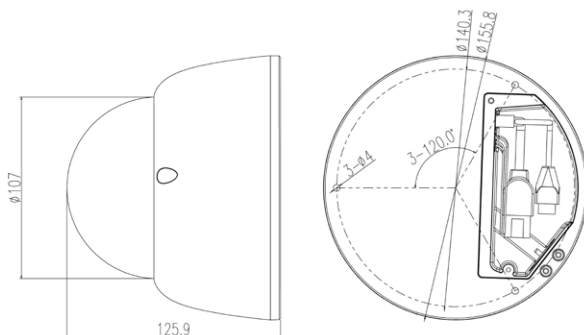
- Supports 90°, 180°, 270° image rotation
- Varifocal lens (Manual / Motorized)

Abundant Functions and Features

- TF card slot, supports Automatic Network Replenishment (ANR)
- Dual-stream (960p + D1)
- Bi-directional audio / alarm in and out / video out / RS485
- One click autofocus (-IR2 only)
- PoE
- IP67

Dimensions

Units:mm

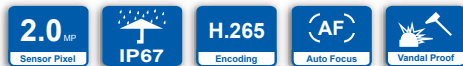


Specifications

IPC2131-AN(-IR1, -IR2)	
Camera	
Image Sensor	1/3" progressive scan CMOS
Pixels	1.3 Megapixel
Min. Illumination	Color: 0.01lux @ (F1.2, AGC ON) B/W: 0lux with IR
Shutter Speed	1/10 ~ 1/10,000s
Day / Night	Auto (ICR) / Color / B/W
Wide Dynamic Range	Digital WDR
S/N Ratio	>50dB
White Balance	Auto / Manual
Gain Control	Auto / Manual
Backlight Compensation	Off / BLC / WDR
Lens	
Mount Type	Φ14
Auto Iris	DC drive
Focal Length	-IR1: 2.7 ~ 9mm @ F1.2 manual varifocal lens -IR2: 2.7 ~ 9mm @ F1.2 motorized varifocal lens
Focus Control	-IR1: Manual -IR2: Manual / Semi-Automatic
Angle of View	-IR1, -IR2: 99° ~ 55°
Adjustment Range	Pan: 0° ~ 355° / Tilt: 0° ~ 75° / Rotation: 0° ~ 355°
Infrared	
IR LED	26pcs IR LED
IR Distance	20 ~ 40m
IR Intensity	Smart IR
Video	
Compression	H.264 / MJPEG
Image Resolution	Main stream: 960p Secondary stream: D1
Frame Rate	Main stream: 960p@30fps Secondary stream: D1@30fps
Bitrate	64kbps ~ 8Mbps
Bitrate Control	VBR / CBR
Dual-stream	Supported
Caption	Date and time / Alarm / Customized
Privacy Masking	Up to 4 zones
Motion Detection	Up to 4 zones
Video Freeze	Supported
Digital Noise Reduction	3D noise reduction
Image Flip	Flip / Mirror / Rotation at 90°, 180°, 270°
Audio	
Compression	G.711a / G.711u / ADPCM / G.722 / AAC-LC
Bitrate	32kbps ~ 64kbps
Audio Function	Bi-directional audio / AEC / Mixed audio recording / Dumb / Mute
Network	
Network Protocols	TCP/IP, UDP, HTTP, DHCP, DNS/DDNS, RTP/RTCP, RTSP, PPPoE, FTP, VSIP, IPv4, IPv6 (optional)
User Interface	IPC Control (IE)
Max. User Access	Max. 10 Users (includes 2 internal)
Application Programming	ONVIF (Profile S), GB/T 28181-2011, API, CGI
Automatic Network Replenishment (ANR)	Supported
Alarm	
Alarm Triggers	Motion detection / Alarm input
Alarm Events	Alarm caption / Snapshot / External output
Interfaces	
Ethernet	10/100M, RJ45 interface
Audio In / Out	1 x Line in / 1 x Line out
Control	1 x RS-485
Alarm In / Out	1 x Input / 1 x Output
Video Out	1 x BNC, 1.0V [p-p] / 75Ω
Memory Slot	TF card slot, supports up to 128GB
Environmental	
Operating Temperature	-30°C ~ 60°C / -22°F ~ 140°F
Operating Humidity	10% ~ 95%
Protection Level	IK10+ @50J, IP67
Electrical	
Power	12V DC ± 10% / PoE (IEEE802.3af)
Power Consumption	Max. 10W
Mechanical	
Weight	1 kg / 2.2lb (Gross Weight)
Dimensions	Φ155.8 × 125.9mm / Φ6.14" × 4.96"

IPC2231-HN-S

2.0MP HD Network Vandal-Proof Semi Dome Camera



Features

Excellent Image Quality

- 2.0 Megapixel 1/3" progressive scan CMOS sensor
- High definition and smooth picture, 1080p@30fps
- H.265 video codec, saves up to 50% bandwidth and storage
- Low illumination, 0.03lux with color picture
- WDR support / 3D noise reduction / Auto Iris / HLC

Intelligent Functions

- Motion detection / Tampering / Guard line / Defocus / Scene change / Enter guard area / Exit guard area / Object left / Object removal / Gathering / Audio surge

Vandal-Proof

- Above IK10 @ 50J collision energy

A Variety of Installation Modes

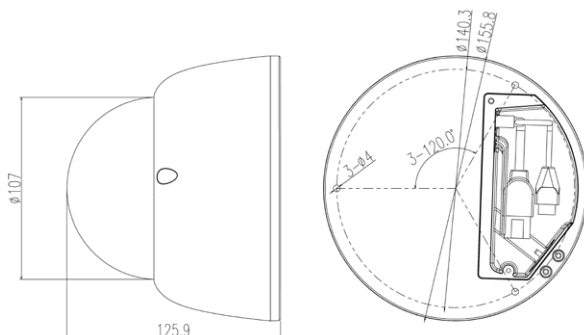
- Supports 90°, 180°, 270° image rotation
- Varifocal AF lens (-Z3009 only)

Abundant Functions and Features

- TF card slot, supports Automatic Network Replenishment (ANR)
- Bi-directional audio / alarm in and out / video out / RS485
- 2 channel audio input simultaneously
- Up to 3 Multi-stream
- PoE / Power output
- IP67

Dimensions

Units:mm

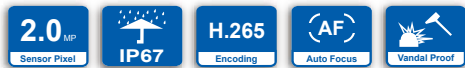


Specifications

	IPC2231-HN-S
Camera	
Image Sensor	1/3" progressive scan CMOS
Pixels	2.0 Megapixel
Min. Illumination	Color: 0.03lux @ (F1.4, AGC ON) B/W: 0.003lux @ (F1.4, AGC ON)
Shutter Speed	1 ~ 1/30,000s
Day / Night	Auto (ICR) / Color / B/W
Wide Dynamic Range	Digital WDR
S/N Ratio	> 52dB
White Balance	Auto / Manual
Gain Control	Auto / Manual
Backlight Compensation	Off / BLC / WDR / HLC
Lens	
Mount Type	-Z3009: Φ 14 -L0200 / -L0220: M12
Auto Iris	-Z3009: DC drive -L0200 / -L0220: Fixed
Focal Length	-Z3009: 2.8~12mm @ F1.4 motorized varifocal lens -L0200: 2mm -L0220: 2.2mm
Focus Control	-Z3009: Manual / Semi-Automatic / Auto -L0200 / -L0220: Fixed
Angle of View	-L0200: 151° -L0220: 126° -Z3009: 108° ~ 35°
Adjustment Range	Pan: 0° ~ 355° / Tilt: 0° ~ 75° / Rotation: 0° ~ 355°
Video	
Compression	H.265 / H.264 / MJPEG
Image Resolution	Main stream: 1080p Secondary stream: D1
Frame Rate	Main stream: 1080p@30fps Secondary stream: D1@30fps
Bitrate	32kbps ~ 16Mbps
Bitrate Control	VBR / CBR
Multi-stream	Supported
Caption	Date and time / Alarm / Customized
Privacy Masking	Up to 4 zones
Motion Detection	Up to 4 zones
Video Freeze	Supported
ROI	Supported
Digital Noise Reduction	3D noise reduction
Digital Defog	Supported
Image Flip	Flip / Mirror / Rotation at 90°, 180°, 270°
Audio	
Compression	G.711a / G.711u / ADPCM / G.722 / AAC-LC / G.722.1c / G.726
Bitrate	32kbps ~ 64kbps
Audio Function	Bi-directional audio / AEC / Mixed audio recording / Dumb / Mute
Network	
Network Protocols	TCP/IP, UDP, HTTP, DHCP, DNS/DDNS, RTP/RTCP, RTSP, PPPoE, FTP, VSIP, UPnP, 802.1x, NAT, QoS, SMTP, IPv4, IPv6 (optional)
User Interface	IPC Control (IE, Firefox, Chrome)
Max. User Access	Max. 10 Users (includes 2 internal)
Application Programming	ONVIF (Profile S, Profile G), GB/T 28181-2011, API, CGI
Automatic Network Replenishment (ANR)	Supported
Alarm	
Alarm Triggers	Alarm input / Network disconnect / Disk full / Disk error
Intelligent	Motion detection / Tampering / Guard line / Defocus / Scene change / Enter guard area / Exit guard area / Object left / Object removal / Gathering / Audio surge
Alarm Events	Alarm report / Recording / Text overlay / Snapshot / External output / Email notice / Acoustic alarm
Interfaces	
Ethernet	10/100M, RJ45 interface
Audio In / Out	2 x Line in / 1 x Line out
Control	1 x RS485
Alarm In / Out	1 x Input / 1 x Output
Video Out	1 x BNC, 1.0V [p-p] / 75 Ω
Memory Slot	TF card slot, supports up to 128GB
Power Output	1 x DC12V / 0.1A Output
Environmental	
Operating Temperature	-40°C ~ 70°C / -40°F ~ 158°F
Operating Humidity	10% ~ 95%
Protection Level	IK10+ @50J, IP67
Electrical	
Power	AC24V \pm 10% / DC12V \pm 10% / PoE (IEEE802.3af)
Power Consumption	Max. 11W
Mechanical	
Weight	1 kg / 2.2lb (Gross Weight)
Dimensions	Φ 155.8 x 125.9mm / Φ 6.14" x 4.96"

IPC2231-HN-SIR40

2.0MP HD Network Vandal-Proof Varifocal IR Semi Dome Camera



Features

Excellent Image Quality

- 2.0 Megapixel 1/3" progressive scan CMOS sensor
- High definition and smooth picture, 1080p@30fps
- H.265 video codec, saves up to 50% bandwidth and storage
- Low illumination, 0.03lux with color picture
- WDR support / 3D noise reduction / Auto Iris / HLC

Intelligent Functions

- Motion detection / Tampering / Guard line / Defocus / Scene change / Enter guard area / Exit guard area / Object left / Object removal / Gathering / Audio surge

Vandal-Proof

- Above IK10 @ 50J collision energy

Integrated High Efficiency IR

- Industrial IR LED with long operational lifespan
- 20 ~ 40m IR distance
- Smart IR function

A Variety of Installation Modes

- Supports 90°, 180°, 270° image rotation
- Varifocal AF lens

Abundant Functions and Features

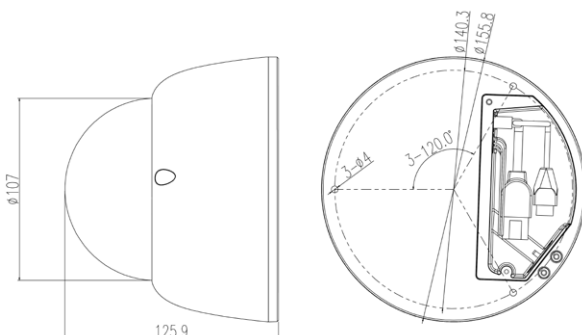
- TF card slot, supports Automatic Network Replenishment (ANR)
- Bi-directional audio / alarm in and out / video out / RS485
- 2 channel audio input simultaneously
- Up to 3 Multi-stream
- PoE / Power output
- IP67

Specifications

	IPC2231-HN-SIR40
Camera	
Image Sensor	1/3" progressive scan CMOS
Pixels	2.0 Megapixel
Min. Illumination	Color: 0.03lux @ (F1.4, AGC ON) B/W: 0lux with IR
Shutter Speed	1 ~ 1/30,000s
Day / Night	Auto (ICR) / Color / B/W
Wide Dynamic Range	Digital WDR
S/N Ratio	> 52dB
White Balance	Auto / Manual
Gain Control	Auto / Manual
Backlight Compensation	Off / BLC / WDR / HLC
Lens	
Mount Type	Ø14
Auto Iris	DC drive
Focal Length	-Z3009: 2.8~12mm @ F1.4 motorized varifocal lens
Focus Control	Manual / Semi-Automatic / Auto
Angle of View	-Z3009: 108° ~ 35°
Adjustment Range	Pan: 0° ~ 355° / Tilt: 0° ~ 75° / Rotation: 0° ~ 355°
Infrared	
IR Distance	20 ~ 40m
IR Intensity	Smart IR
Video	
Compression	H.265 / H.264 / MJPEG
Image Resolution	Main stream: 1080p Secondary stream: D1
Frame Rate	Main stream: 1080p@30fps Secondary stream: D1@30fps
Bitrate	32kbps ~ 16Mbps
Bitrate Control	VBR / CBR
Multi-stream	Supported
Caption	Date and time / Alarm / Customized
Privacy Masking	Up to 4 zones
Motion Detection	Up to 4 zones
Video Freeze	Supported
ROI	Supported
Digital Noise Reduction	3D noise reduction
Digital Defog	Supported
Image Flip	Flip / Mirror / Rotation at 90°, 180°, 270°
Audio	
Compression	G.711a / G.711u / ADPCM / G.722 / AAC-LC / G.722.1c / G.726
Bitrate	32kbps ~ 64kbps
Audio Function	Bi-directional audio / AEC / Mixed audio recording / Dumb / Mute
Network	
Network Protocols	TCP/IP, UDP, HTTP, DHCP, DNS/DDNS, RTP/RTCP, RTSP, PPPoE, FTP, VSIP, UPnP, 802.1x, NAT, QoS, SMTP, IPv4, IPv6 (optional)
User Interface	IPC Control (IE, Firefox, Chrome)
Max. User Access	Max. 10 Users (includes 2 internal)
Application Programming	ONVIF (Profile S, Profile G), GB/T 28181-2011, API, CGI
Automatic Network Replenishment (ANR)	Supported
Alarm	
Alarm Triggers	Alarm input / Network disconnect / Disk full / Disk error
Intelligent	Motion detection / Tampering / Guard line / Defocus / Scene change / Enter guard area / Exit guard area / Object left / Object removal / Gathering / Audio surge
Alarm Events	Alarm report / Recording / Text overlay / Snapshot / External output / Email notice / Acoustic alarm
Interfaces	
Ethernet	10/100M, RJ45 interface
Audio In / Out	2 x Line in / 1 x Line out
Control	1 x RS485
Alarm In / Out	1 x Input / 1 x Output
Video Out	1 x BNC, 1.0V [p-p] / 75Ω
Memory Slot	TF card slot, supports up to 128GB
Power Output	1 x DC12V / 0.1A Output
Environmental	
Operating Temperature	-40°C ~ 70°C / -40°F ~ 158°F
Operating Humidity	10% ~ 95%
Protection Level	IK10+ @50J, IP67
Electrical	
Power	AC24V±10% / DC12V ± 10% / PoE (IEEE802.3af)
Power Consumption	Max. 11W
Mechanical	
Weight	1 kg / 2.2lb (Gross Weight)
Dimensions	Ø155.8 × 125.9mm / Ø6.14" × 4.96"

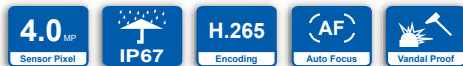
Dimensions

Units:mm



IPC2431-HN-S

4.0MP Ultra WDR HD Network Vandal-Proof Semi Dome Camera



Features

Excellent Image Quality

- 4.0 Megapixel 1/3" progressive scan CMOS sensor
- High definition and smooth picture, 2592x1520@30fps
- H.265 video codec, saves up to 50% bandwidth and storage
- Low illumination, 0.05lux with color picture
- 120dB Ultra WDR
- 3D noise reduction / Auto Iris / HLC

Intelligent Functions

- Motion detection / Tampering / Guard line / Defocus / Scene change / Enter guard area / Exit guard area / Object left / Object removal / Gathering / Audio surge

Vandal-Proof

- Above IK10 @ 50J collision energy

A Variety of Installation Modes

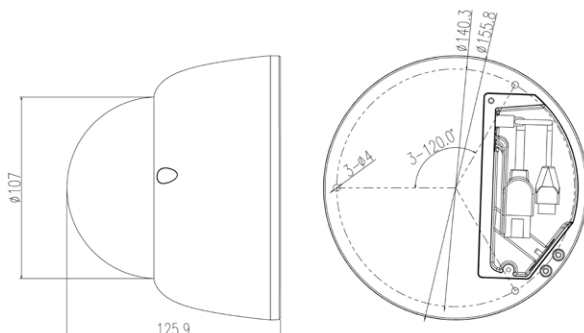
- Supports 90°, 180°, 270° image rotation
- Varifocal AF lens (-Z3009 only)

Abundant Functions and Features

- TF card slot, supports Automatic Network Replenishment (ANR)
- Bi-directional audio / alarm in and out / video out / RS485
- 2 channel audio input simultaneously
- Up to 3 Multi-stream
- PoE / Power output
- IP67

Dimensions

Units:mm

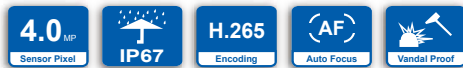


Specifications

	IPC2431-HN-S
Camera	
Image Sensor	1/3" progressive scan CMOS
Pixels	4.0 Megapixel
Min. Illumination	Color: 0.05lux @ (F1.4, AGC ON) B/W: 0.005lux @ (F1.4, AGC ON)
Shutter Speed	1 ~ 1/30,000s
Day / Night	Auto (ICR) / Color / B/W
Wide Dynamic Range	Ultra WDR, 120dB
S/N Ratio	> 50dB
White Balance	Auto / Manual
Gain Control	Auto / Manual
Backlight Compensation	Off / BLC / WDR / HLC
Lens	
Mount Type	-Z3009: Φ 14 -L0200 / -L0220: M12
Auto Iris	-Z3009: DC drive -L0200 / -L0220: Fixed
Focal Length	-Z3009: 2.8~12mm @ F1.4 motorized varifocal lens -L0200: 2mm -L0220: 2.2mm
Focus Control	-Z3009: Manual / Semi-Automatic / Auto -L0200 / -L0220: Fixed
Angle of View	-L0200: 151° -L0220: 126° -Z3009: 106° ~ 33°
Adjustment Range	Pan: 0° ~ 355° / Tilt: 0° ~ 75° / Rotation: 0° ~ 355°
Video	
Compression	H.265 / H.264 / MJPEG
Image Resolution	Main stream: 2592x1520 Secondary stream: D1
Frame Rate	Main stream: 2592x1520@30fps Secondary stream: D1@30fps
Bitrate	32kbps ~ 16Mbps
Bitrate Control	VBR / CBR
Multi-stream	Supported
Caption	Date and time / Alarm / Customized
Privacy Masking	Up to 4 zones
Motion Detection	Up to 4 zones
Video Freeze	Supported
ROI	Supported
Digital Noise Reduction	3D noise reduction
Digital Defog	Supported
Image Flip	Flip / Mirror / Rotation at 90°, 180°, 270°
Audio	
Compression	G.711a / G.711u / ADPCM / G.722 / AAC-LC / G.722.1c / G.726
Bitrate	32kbps ~ 64kbps
Audio Function	Bi-directional audio / AEC / Mixed audio recording / Dumb / Mute
Network	
Network Protocols	TCP/IP, UDP, HTTP, DHCP, DNS/DDNS, RTP/RTCP, RTSP, PPPoE, FTP, VSIP, UPnP, 802.1x, NAT, QoS, SMTP, IPv4, IPv6 (optional)
User Interface	IPC Control (IE, Firefox, Chrome)
Max. User Access	Max. 10 Users (includes 2 internal)
Application Programming	ONVIF (Profile S, Profile G), GB/T 28181-2011, API, CGI
Automatic Network Replenishment (ANR)	Supported
Alarm	
Alarm Triggers	Alarm input / Network disconnect / Disk full / Disk error
Intelligent	Motion detection / Tampering / Guard line / Defocus / Scene change / Enter guard area / Exit guard area / Object left / Object removal / Gathering / Audio surge
Alarm Events	Alarm report / Recording / Text overlay / Snapshot / External output / Email notice / Acoustic alarm
Interfaces	
Ethernet	10/100M, RJ45 interface
Audio In / Out	2 x Line in / 1 x Line out
Control	1 x RS485
Alarm In / Out	1 x Input / 1 x Output
Video Out	1 x BNC, 1.0V [p-p] / 75 Ω
Memory Slot	TF card slot, supports up to 128GB
Power Output	1 x DC12V / 0.1A Output
Environmental	
Operating Temperature	-40°C ~ 70°C / -40°F ~ 158°F
Operating Humidity	10% ~ 95%
Protection Level	IK10+ @ 50J, IP67
Electrical	
Power	AC24V \pm 10% / DC12V \pm 10% / PoE (IEEE802.3af)
Power Consumption	Max. 11W
Mechanical	
Weight	1 kg / 2.2lb (Gross Weight)
Dimensions	Φ 155.8 x 125.9mm / Φ 6.14" x 4.96"

IPC2431-HN-SIR40

4.0MP Ultra WDR HD Network Vandal-Proof Varifocal IR Semi Dome Camera



Features

Excellent Image Quality

- 4.0 Megapixel 1/3" progressive scan CMOS sensor
- High definition and smooth picture, 2592x1520@30fps
- H.265 video codec, saves up to 50% bandwidth and storage
- Low illumination, 0.05lux with color picture
- 120dB Ultra WDR
- 3D noise reduction / Auto Iris / HLC

Intelligent Functions

- Motion detection / Tampering / Guard line / Defocus / Scene change / Enter guard area / Exit guard area / Object left / Object removal / Gathering / Audio surge

Vandal-Proof

- Above IK10 @ 50J collision energy

Integrated High Efficiency IR

- Industrial IR LED with long operational lifespan
- 20 ~ 40m IR distance
- Smart IR function

A Variety of Installation Modes

- Supports 90°, 180°, 270° image rotation
- Varifocal AF lens

Abundant Functions and Features

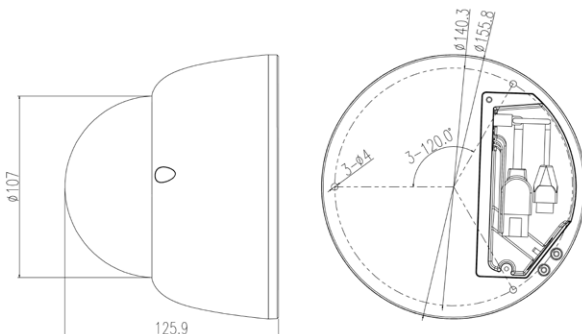
- TF card slot, supports Automatic Network Replenishment (ANR)
- Bi-directional audio / alarm in and out / video out / RS485
- 2 channel audio input simultaneously
- Up to 3 Multi-stream
- PoE / Power output
- IP67

Specifications

	IPC2431-HN-SIR40
Camera	
Image Sensor	1/3" progressive scan CMOS
Pixels	4.0 Megapixel
Min. Illumination	Color: 0.05lux @ (F1.4, AGC ON) B/W: 0lux with IR
Shutter Speed	1 ~ 1/30,000s
Day / Night	Auto (ICR) / color / B/W
Wide Dynamic Range	Ultra WDR, 120dB
S/N Ratio	> 50dB
White Balance	Auto / Manual
Gain Control	Auto / Manual
Backlight Compensation	Off / BLC / WDR / HLC
Lens	
Mount Type	Ø14
Auto Iris	DC drive
Focal Length	-Z3009: 2.8~12mm @ F1.4 motorized varifocal lens
Focus Control	Manual / Semi-Automatic / Auto
Angle of View	-Z3009: 106° ~ 33°
Adjustment Range	Pan: 0° ~ 355° / Tilt: 0° ~ 75° / Rotation: 0° ~ 355°
Infrared	
IR Distance	20 ~ 40m
IR Intensity	Smart IR
Video	
Compression	H.265 / H.264 / MJPEG
Image Resolution	Main stream: 2592x1520 Secondary stream: D1
Frame Rate	Main stream: 2592x1520@30fps Secondary stream: D1@30fps
Bitrate	32kbps ~ 16Mbps
Bitrate Control	VBR / CBR
Multi-stream	Supported
Caption	Date and time / Alarm / Customized
Privacy Masking	Up to 4 zones
Motion Detection	Up to 4 zones
Video Freeze	Supported
ROI	Supported
Digital Noise Reduction	3D noise reduction
Digital Defog	Supported
Image Flip	Flip / Mirror / Rotation at 90°, 180°, 270°
Audio	
Compression	G.711a / G.711u / ADPCM / G.722 / AAC-LC / G.722.1c / G.726
Bitrate	32kbps ~ 64kbps
Audio Function	Bi-directional audio / AEC / Mixed audio recording / Dumb / Mute
Network	
Network Protocols	TCP/IP, UDP, HTTP, DHCP, DNS/DDNS, RTP/RTCP, RTSP, PPPoE, FTP, VSIP, UPnP, 802.1x, NAT, QoS, SMTP, IPv4, IPv6 (optional)
User Interface	IPC Control (IE, Firefox, Chrome)
Max. User Access	Max. 10 Users (includes 2 internal)
Application Programming	ONVIF (Profile S, Profile G), GB/T 28181-2011, API, CGI
Automatic Network Replenishment (ANR)	Supported
Alarm	
Alarm Triggers	Alarm input / Network disconnect / Disk full / Disk error
Intelligent	Motion detection / Tampering / Guard line / Defocus / Scene change / Enter guard area / Exit guard area / Object left / Object removal / Gathering / Audio surge
Alarm Events	Alarm report / Recording / Text overlay / Snapshot / External output / Email notice / Acoustic alarm
Interfaces	
Ethernet	10/100M, RJ45 interface
Audio In / Out	2 x Line in / 1 x Line out
Control	1 x RS485
Alarm In / Out	1 x Input / 1 x Output
Video Out	1 x BNC, 1.0V [p-p] / 75Ω
Memory Slot	TF card slot, supports up to 128GB
Power Output	1 x DC12V / 0.1A Output
Environmental	
Operating Temperature	-40°C ~ 70°C / -40°F ~ 158°F
Operating Humidity	10% ~ 95%
Protection Level	IK10+ @50J, IP67
Electrical	
Power	AC24V±10% / DC12V ± 10% / PoE (IEEE802.3af)
Power Consumption	Max. 11W
Mechanical	
Weight	1 kg / 2.2lb (Gross Weight)
Dimensions	Ø155.8 × 125.9mm / Ø6.14" × 4.96"

Dimensions

Units:mm



IPC2131-DN-L

1.3MP Ultra WDR HD Network Vandal-Proof Semi Dome Camera



Features

Excellent Image Quality

- 1.3 Megapixel 1/3" progressive scan CMOS sensor
- High definition and smooth picture, 960p@60fps
- H.264 high profile video codec, saves up to 30% bandwidth and storage
- Low illumination, 0.01lux with color picture
- 120dB Ultra WDR
- 3D noise reduction / Auto Iris (-L1, -L2 only)

Vandal-Proof

- Above IK10 @ 50J collision energy

A Variety of Installation Modes

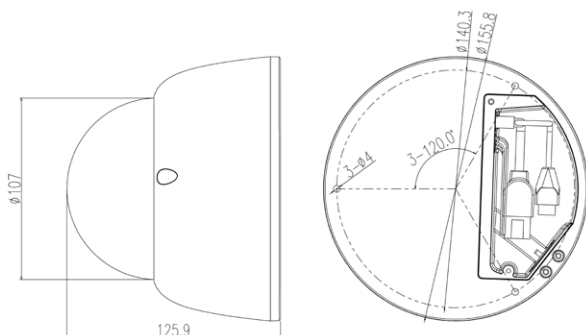
- Supports 90°, 180°, 270° image rotation
- Varifocal lens (-L1, -L2 only)

Abundant Functions and Features

- TF card slot, supports Automatic Network Replenishment (ANR)
- Up to 4 Multi-stream
- Bi-directional audio / alarm in and out / video out / RS485
- One click autofocus (-L2 only)
- PoE
- IP67

Dimensions

Units:mm



Specifications

	IPC2131-DN(-L1, -L2, -L3, -L4)
Camera	
Image Sensor	1/3" progressive scan CMOS
Pixels	1.3 Megapixel
Min. Illumination	Color: 0.01lux @ (F1.2, AGC ON) B/W: 0.001lux @ (F1.2, AGC ON)
Shutter Speed	1/10 ~ 1/10,000s
Day / Night	Auto (ICR) / Color / B/W
Wide Dynamic Range	Ultra WDR, 120dB
S/N Ratio	> 50dB
White Balance	Auto / Manual
Gain Control	Auto / Manual
Backlight Compensation	Off / BLC / WDR
Lens	
Mount Type	-L1, -L2: Φ 14 -L3: CS -L4: M12
Iris	-L1, -L2: Auto Iris (DC drive) -L3: Manual Iris -L4: Fixed Iris
Focal Length	-L1: 2.7 ~ 9mm @ F1.2 manual varifocal lens -L2: 2.7 ~ 9mm @ F1.2 motorized varifocal lens -L3: 2.2mm -L4: 2.0mm
Focus Control	-L1: Manual -L2: Manual / Semi-Automatic
Angle of View	-L1, -L2: 99° ~ 55° -L3: 122° -L4: 149°
Adjustment Range	Pan: 0° ~ 355° / Tilt: 0° ~ 75° / Rotation: 0° ~ 355°
Video	
Compression	H.264 / MJPEG
Image Resolution	Main stream: 960p Secondary stream: D1
Frame Rate	Main stream: 960p@60fps Secondary stream: D1@30fps
Bitrate	64kbps ~ 16Mbps
Bitrate Control	VBR / CBR
Multi-stream	Supported
Caption	Date and time / Alarm / Customized
Privacy Masking	Up to 4 zones
Motion Detection	Up to 4 zones
Video Freeze	Supported
Digital Noise Reduction	3D noise reduction
Image Flip	Flip / Mirror / Rotation at 90°, 180°, 270°
Audio	
Compression	G.711a / G.711u / ADPCM / G.722 / AAC-LC
Bitrate	32kbps ~ 64kbps
Audio Function	Bi-directional audio / AEC / Mixed audio recording / Dumb / Mute
Network	
Network Protocols	TCP/IP, UDP, HTTP, DHCP, DNS/DDNS, RTP/RTCP, RTSP, PPPoE, FTP, VSIP, IPv4, IPv6 (optional)
User Interface	IPC Control (IE)
Max. User Access	Max. 10 Users (includes 2 internal)
Application Programming	ONVIF (Profile S), GB/T 28181-2011, API, CGI
Automatic Network Replenishment (ANR)	Supported
Alarm	
Alarm Triggers	Motion detection / Alarm input
Alarm Events	Alarm caption / Snapshot / External output
Interfaces	
Ethernet	10/100M, RJ45 interface
Audio In / Out	1 x Line in / 1 x Line out
Control	1 x RS485
Alarm In / Out	3 x Input / 1 x Output
Video Out	1 x BNC, 1.0V [p-p] / 75 Ω
Memory Slot	TF card slot, supports up to 128GB
Environmental	
Operating Temperature	-30°C ~ 60°C / -22°F ~ 140°F
Operating Humidity	10% ~ 95%
Protection Level	IK10+ @50J, IP67
Electrical	
Power	12V DC \pm 10% / PoE (IEEE802.3af)
Power Consumption	Max. 10W
Mechanical	
Weight	1 kg / 2.2lb (Gross Weight)
Dimensions	Φ 155.8 x 125.9mm / Φ 6.14" x 4.96"

IPC2131-DN-IR

1.3MP Ultra WDR HD Network Vandal-Proof Varifocal IR Semi Dome Camera



Features

Excellent Image Quality

- 1.3 Megapixel 1/3" progressive scan CMOS sensor
- High definition and smooth picture, 960p@60fps
- H.264 high profile video codec, saves up to 30% bandwidth and storage
- Low illumination, 0.01lux with color picture
- 120dB Ultra WDR
- 3D noise reduction / Auto Iris

Vandal-Proof

- Above IK10 @ 50J collision energy

Integrated High Efficiency IR

- Industrial IR LED with long operational lifespan
- 20 ~ 40m IR distance
- Smart IR function

A Variety of Installation Modes

- Supports 90°, 180°, 270° image rotation
- Varifocal lens (Manual / Motorized)

Abundant Functions and Features

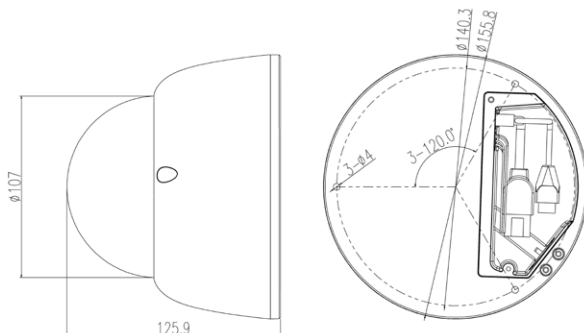
- TF card slot, supports Automatic Network Replenishment (ANR)
- Up to 4 Multi-stream
- Bi-directional audio / alarm in and out / video out / RS485
- One click autofocus (-IR2 only)
- PoE
- IP67

Specifications

	IPC2131-DN(-IR1, -IR2)
Camera	
Image Sensor	1/3" progressive scan CMOS
Pixels	1.3 Megapixel
Min. Illumination	Color: 0.01lux @ (F1.2, AGC ON) B/W: 0lux with IR
Shutter Speed	1/10 ~ 1/10,000s
Day / Night	Auto (ICR) / Color / B/W
Wide Dynamic Range	Ultra WDR, 120dB
S/N Ratio	>50dB
White Balance	Auto / Manual
Gain Control	Auto / Manual
Backlight Compensation	Off / BLC / WDR
Lens	
Mount Type	Φ14
Auto Iris	DC drive
Focal Length	-IR1: 2.7 ~ 9mm @ F1.2 manual varifocal lens -IR2: 2.7 ~ 9mm @ F1.2 motorized varifocal lens
Focus Control	-IR1: Manual -IR2: Manual / Semi-Automatic
Angle of View	-IR1, -IR2: 99° ~ 55°
Adjustment Range	Pan: 0° ~ 355° / Tilt: 0° ~ 75° / Rotation: 0° ~ 355°
Infrared	
IR LED	26pcs IR LED
IR Distance	20 ~ 40m
IR Intensity	Smart IR
Video	
Compression	H.264 / MJPEG
Image Resolution	Main stream: 960p Secondary stream: D1
Frame Rate	Main stream: 960p@60fps Secondary stream: D1@30fps
Bitrate	64kbps ~ 16Mbps
Bitrate Control	VBR / CBR
Multi-stream	Supported
Caption	Date and time / Alarm / Customized
Privacy Masking	Up to 4 zones
Motion Detection	Up to 4 zones
Video Freeze	Supported
Digital Noise Reduction	3D noise reduction
Image Flip	Flip / Mirror / Rotation at 90°, 180°, 270°
Audio	
Compression	G.711a / G.711u / ADPCM / G.722 / AAC-LC
Bitrate	32kbps ~ 64kbps
Audio Function	Bi-directional audio / AEC / Mixed audio recording / Dumb / Mute
Network	
Network Protocols	TCP/IP, UDP, HTTP, DHCP, DNS/DDNS, RTP/RTCP, RTSP, PPPoE, FTP, VSIP, IPv4, IPv6 (optional)
User Interface	IPC Control (IE)
Max. User Access	Max. 10 Users (includes 2 internal)
Application Programming	ONVIF (Profile S), GB/T 28181-2011, API, CGI
Automatic Network Replenishment (ANR)	Supported
Alarm	
Alarm Triggers	Motion detection / Alarm input
Alarm Events	Alarm caption / Snapshot / External output
Interfaces	
Ethernet	10/100M, RJ45 interface
Audio In / Out	1 x Line in / 1 x Line out
Control	1 x RS485
Alarm In / Out	3 x Input / 1 x Output
Video Out	1 x BNC, 1.0V [p-p] / 75Ω
Memory Slot	TF card slot, supports up to 128GB
Environmental	
Operating Temperature	-30°C ~ 60°C / -22°F ~ 140°F
Operating Humidity	10% ~ 95%
Protection Level	IK10+ @50J, IP67
Electrical	
Power	12V DC ± 10% / PoE (IEEE802.3af)
Power Consumption	Max. 10W
Mechanical	
Weight	1 kg / 2.2lb (Gross Weight)
Dimensions	Φ155.8 × 125.9mm / Φ6.14" × 4.96"

Dimensions

Units:mm



IPC2231-DN-L

2.0MP Ultra WDR HD Network Vandal-Proof Semi Dome Camera



Features

Excellent Image Quality

- 2.0 Megapixel 1/3" progressive scan CMOS sensor
- High definition and smooth picture, 1080p@60fps
- H.264 high profile video codec, saves up to 30% bandwidth and storage
- Low illumination, 0.03lux with color picture
- 120dB Ultra WDR
- 3D noise reduction / Auto Iris (-L1, -L2 only)

Vandal-Proof

- Above IK10 @ 50J collision energy

A Variety of Installation Modes

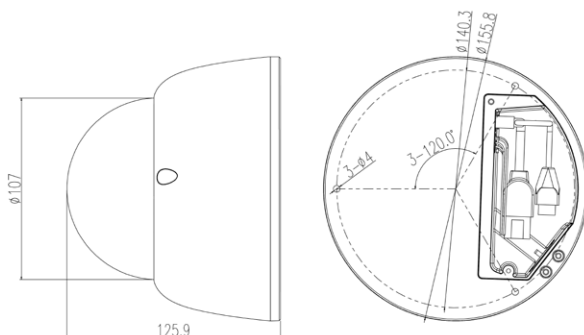
- Supports 90°, 180°, 270° image rotation
- Varifocal lens (-L1, -L2 only)

Abundant Functions and Features

- TF card slot, supports Automatic Network Replenishment (ANR)
- Up to 4 Multi-stream
- Bi-directional audio / alarm in and out / video out / RS485
- One click autofocus (-L2 only)
- PoE
- IP67

Dimensions

Units:mm



Specifications

	IPC2231-DN(-L1, -L2, -L3, -L4)
Camera	
Image Sensor	1/3" progressive scan CMOS
Pixels	2.0 Megapixel
Min. Illumination	Color: 0.03lux @ (F1.2, AGC ON) B/W: 0.003lux @ (F1.2, AGC ON)
Shutter Speed	1/10 ~ 1/10,000s
Day / Night	Auto (ICR) / Color / B/W
Wide Dynamic Range	Ultra WDR, 120dB
S/N Ratio	> 50dB
White Balance	Auto / Manual
Gain Control	Auto / Manual
Backlight Compensation	Off / BLC / WDR
Lens	
Mount Type	-L1, -L2: Φ 14 -L3: CS -L4: M12
Iris	-L1, -L2: Auto Iris (DC drive) -L3: Manual Iris -L4: Fixed Iris
Focal Length	-L1: 2.7 ~ 9mm @ F1.2 manual varifocal lens -L2: 2.7 ~ 9mm @ F1.2 motorized varifocal lens -L3: 2.2mm -L4: 2.0mm
Focus Control	-L1: Manual -L2: Manual / Semi-Automatic
Angle of View	-L1, -L2: 113° ~ 64° -L3: 129° -L4: 149°
Adjustment Range	Pan: 0° ~ 355° / Tilt: 0° ~ 75° / Rotation: 0° ~ 355°
Video	
Compression	H.264 / MJPEG
Image Resolution	Main stream: 1080p Secondary stream: D1
Frame Rate	Main stream: 1080p@60fps Secondary stream: D1@30fps
Bitrate	64kbps ~ 16Mbps
Bitrate Control	VBR / CBR
Multi-stream	Supported
Caption	Date and time / Alarm / Customized
Privacy Masking	Up to 4 zones
Motion Detection	Up to 4 zones
Video Freeze	Supported
Digital Noise Reduction	3D noise reduction
Image Flip	Flip / Mirror / Rotation at 90°, 180°, 270°
Audio	
Compression	G.711a / G.711u / ADPCM / G.722 / AAC-LC
Bitrate	32kbps ~ 64kbps
Audio Function	Bi-directional audio / AEC / Mixed audio recording / Dumb / Mute
Network	
Network Protocols	TCP/IP, UDP, HTTP, DHCP, DNS/DDNS, RTP/RTCP, RTSP, PPPoE, FTP, VSIP, IPv4, IPv6 (optional)
User Interface	IPC Control (IE)
Max. User Access	Max. 10 Users (includes 2 internal)
Application Programming	ONVIF (Profile S), GB/T 28181-2011, API, CGI
Automatic Network Replenishment (ANR)	Supported
Alarm	
Alarm Triggers	Motion detection / Alarm input
Alarm Events	Alarm caption / Snapshot / External output
Interfaces	
Ethernet	10/100M, RJ45 interface
Audio In / Out	1 x Line in / 1 x Line out
Control	1 x RS485
Alarm In / Out	3 x Input / 1 x Output
Video Out	1 x BNC, 1.0V [p-p] / 75 Ω
Memory Slot	TF card slot, supports up to 128GB
Environmental	
Operating Temperature	-30°C ~ 60°C / -22°F ~ 140°F
Operating Humidity	10% ~ 95%
Protection Level	IK10+ @50J, IP67
Electrical	
Power	12V DC \pm 10% / PoE (IEEE802.3af)
Power Consumption	Max. 11W
Mechanical	
Weight	1 kg / 2.2lb (Gross Weight)
Dimensions	Φ 155.8 x 125.9mm / Φ 6.14" x 4.96"

IPC2231-DN-IR

2.0MP Ultra WDR HD Network Vandal-Proof Varifocal IR Semi Dome Camera



Features

Excellent Image Quality

- 2.0 Megapixel 1/3" progressive scan CMOS sensor
- High definition and smooth picture, 1080p@60fps
- H.264 high profile video codec, saves up to 30% bandwidth and storage
- Low illumination, 0.03lux with color picture
- 120dB Ultra WDR
- 3D noise reduction / Auto Iris

Vandal-Proof

- Above IK10 @ 50J collision energy

Integrated High Efficiency IR

- Industrial IR LED with long operational lifespan
- 20 ~ 40m IR distance
- Smart IR function

A Variety of Installation Modes

- Supports 90°, 180°, 270° image rotation
- Varifocal lens (Manual / Motorized)

Abundant Functions and Features

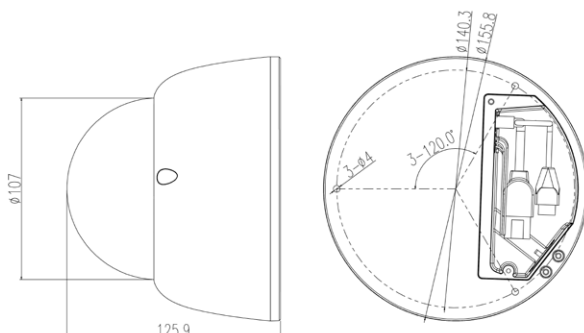
- TF card slot, supports Automatic Network Replenishment (ANR)
- Up to 4 Multi-stream
- Bi-directional audio / alarm in and out / video out / RS485
- One click autofocus (-IR2 only)
- PoE
- IP67

Specifications

	IPC2231-DN(-IR1, -IR2)
Camera	
Image Sensor	1/3" progressive scan CMOS
Pixels	2.0 Megapixel
Min. Illumination	Color: 0.03lux @ (F1.2, AGC ON) B/W: 0lux with IR
Shutter Speed	1/10 ~ 1/10,000s
Day / Night	Auto (ICR) / Color / B/W
Wide Dynamic Range	Ultra WDR, 120dB
S/N Ratio	> 50dB
White Balance	Auto / Manual
Gain Control	Auto / Manual
Backlight Compensation	Off / BLC / WDR
Lens	
Mount Type	Ø14
Auto Iris	DC drive
Focal Length	-IR1: 2.7 ~ 9mm @ F1.2 manual varifocal lens -IR2: 2.7 ~ 9mm @ F1.2 motorized varifocal lens
Focus Control	-IR1: Manual -IR2: Manual / Semi-Automatic
Angle of View	-IR1, -IR2: 113° ~ 64°
Adjustment Range	Pan: 0° ~ 355° / Tilt: 0° ~ 75° / Rotation: 0° ~ 355°
Infrared	
IR LED	26pcs IR LED
IR Distance	20 ~ 40m
IR Intensity	Smart IR
Video	
Compression	H.264 / MJPEG
Image Resolution	Main stream: 1080p Secondary stream: D1
Frame Rate	Main stream: 1080p@60fps Secondary stream: D1@30fps
Bitrate	64kbps ~ 16Mbps
Bitrate Control	VBR / CBR
Multi-stream	Supported
Caption	Date and time / Alarm / Customized
Privacy Masking	Up to 4 zones
Motion Detection	Up to 4 zones
Video Freeze	Supported
Digital Noise Reduction	3D noise reduction
Image Flip	Flip / Mirror / Rotation at 90°, 180°, 270°
Audio	
Compression	G.711a / G.711u / ADPCM / G.722 / AAC-LC
Bitrate	32kbps ~ 64kbps
Audio Function	Bi-directional audio / AEC / Mixed audio recording / Dumb / Mute
Network	
Network Protocols	TCP/IP, UDP, HTTP, DHCP, DNS/DDNS, RTP/RTCP, RTSP, PPPoE, FTP, VSIP, IPv4, IPv6 (optional)
User Interface	IPC Control (IE)
Max. User Access	Max. 10 Users (includes 2 internal)
Application Programming	ONVIF (Profile S), GB/T 28181-2011, API, CGI
Automatic Network Replenishment (ANR)	Supported
Alarm	
Alarm Triggers	Motion detection / Alarm input
Alarm Events	Alarm caption / Snapshot / External output
Interfaces	
Ethernet	10/100M, RJ45 interface
Audio In / Out	1 x Line in / 1 x Line out
Control	1 x RS485
Alarm In / Out	3 x Input / 1 x Output
Video Out	1 x BNC, 1.0V [p-p] / 75Ω
Memory Slot	TF card slot, supports up to 128GB
Environmental	
Operating Temperature	-30°C ~ 60°C / -22°F ~ 140°F
Operating Humidity	10% ~ 95%
Protection Level	IK10+ @50J, IP67
Electrical	
Power	12V DC ± 10% / PoE (IEEE802.3af)
Power Consumption	Max. 11W
Mechanical	
Weight	1 kg / 2.2lb (Gross Weight)
Dimensions	Ø155.8 × 125.9mm / Ø6.14" × 4.96"

Dimensions

Units:mm



IPC2231-EN-L

2.0MP Starlight HD Network Vandal-Proof Semi Dome Camera



Features

Excellent Image Quality

- 2.0 Megapixel 1/1.9" progressive scan CMOS sensor
- High definition and smooth picture, 1080p@60fps
- H.264 high profile video codec, saves up to 30% bandwidth and storage
- Ultra low illumination, 0.002lux with color picture
- WDR support / 3D noise reduction

Vandal-Proof

- Above IK10 @ 50J collision energy

A Variety of Installation Modes

- Supports 90°, 180°, 270° image rotation

Abundant Functions and Features

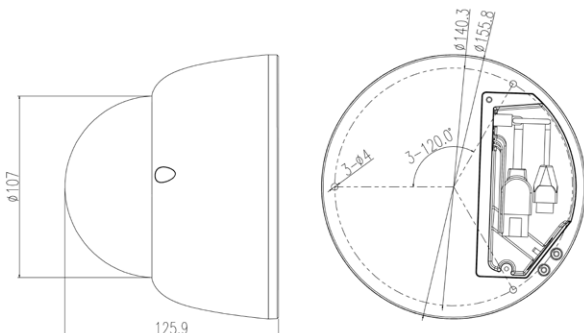
- TF card slot, supports Automatic Network Replenishment (ANR)
- Up to 4 Multi-stream
- Bi-directional audio / alarm in and out / video out / RS485
- PoE
- IP67

Specifications

	IPC2231-EN-L3
Camera	
Image Sensor	1/1.9" progressive scan CMOS
Pixels	2.0 Megapixel
Min. Illumination	Color: 0.002lux @ (F1.8, AGC ON) B/W: 0.0002lux @ (F1.8, AGC ON)
Shutter Speed	1/10 ~ 1/10,000s
Day / Night	Auto (ICR) / Color / B/W
Wide Dynamic Range	Digital WDR
S/N Ratio	> 50dB
White Balance	Auto / Manual
Gain Control	Auto / Manual
Backlight Compensation	Off / BLC / WDR
Lens	
Mount Type	M12
Focal Length	2.95mm
Angle of View	142°
Adjustment Range	Pan: 0° ~ 355° / Tilt: 0° ~ 75° / Rotation: 0° ~ 355°
Video	
Compression	H.264 / MJPEG
Image Resolution	Main stream: 1080p Secondary stream: D1
Frame Rate	Main stream: 1080p@60fps Secondary stream: D1@30fps
Bitrate	64kbps ~ 16Mbps
Bitrate Control	VBR / CBR
Multi-stream	Supported
Caption	Date and time / Alarm / Customized
Privacy Masking	Up to 4 zones
Motion Detection	Up to 4 zones
Video Freeze	Supported
Digital Noise Reduction	3D noise reduction
Image Flip	Flip / Mirror / Rotation at 90°, 180°, 270°
Audio	
Compression	G.711a / G.711u / ADPCM / G.722 / AAC-LC
Bitrate	32kbps ~ 64kbps
Audio Function	Bi-directional audio / AEC / Mixed audio recording / Dumb / Mute
Network	
Network Protocols	TCP/IP, UDP, HTTP, DHCP, DNS/DDNS, RTP/RTCP, RTSP, PPPoE, FTP, VSIP, IPv4, IPv6 (optional)
User Interface	IPC Control (IE)
Max. User Access	Max. 10 Users (includes 2 internal)
Application Programming	ONVIF (Profile S), GB/T 28181-2011, API, CGI
Automatic Network Replenishment (ANR)	Supported
Alarm	
Alarm Triggers	Motion detection / Alarm input
Alarm Events	Alarm caption / Snapshot / External output
Interfaces	
Ethernet	10/100M, RJ45 interface
Audio In / Out	1 x Line in / 1 x Line out
Control	1 x RS485
Alarm In / Out	3 x Input / 1 x Output
Video Out	1 x BNC, 1.0V [p-p] / 75Ω
Memory Slot	TF card slot, supports up to 128GB
Environmental	
Operating Temperature	-30°C ~ 60°C / -22°F ~ 140°F
Operating Humidity	10% ~ 95%
Protection Level	IK10+ @50J, IP67
Electrical	
Power	12V DC ± 10% / PoE (IEEE802.3af)
Power Consumption	Max. 11W
Mechanical	
Weight	1 kg / 2.2lb (Gross Weight)
Dimensions	Ø155.8 x 125.9mm / Ø6.14" x 4.96"

Dimensions

Units:mm



IPC2132-AN-DL

1.3MP HD Network Vandal-Proof Semi Dome Camera



Features

Excellent Image Quality

- 1.3 Megapixel 1/3" progressive scan CMOS sensor
- High definition and smooth picture, 960p@30fps
- H.264 high profile video codec, saves up to 30% bandwidth and storage
- Low illumination, 0.01lux with color picture
- WDR support / 3D noise reduction / Auto Iris (-DL1 only)

Vandal-Proof

- Above IK10 @ 50J collision energy

A Variety of Installation Modes

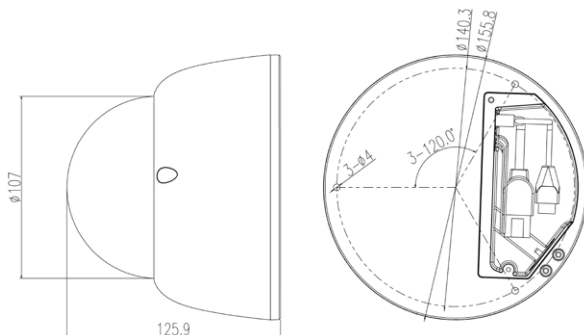
- Supports 90°, 180°, 270° image rotation
- Varifocal lens (-DL1 only)

Abundant Functions and Features

- TF card slot, supports Automatic Network Replenishment (ANR)
- Dual-stream (960p + D1)
- Bi-directional audio / alarm in and out / RS485

Dimensions

Units:mm



Specifications

	IPC2132-AN(-DL1, -DL3, -DL4)
Camera	
Image Sensor	1/3" progressive scan CMOS
Pixels	1.3 Megapixel
Min. Illumination	Color: 0.01lux @ (F1.6, AGC ON) B/W: 0.001lux @ (F1.6, AGC ON)
Shutter Speed	1/10 ~ 1/10,000s
Day / Night	Auto (ICR) / Color / B/W
Wide Dynamic Range	Digital WDR
S/N Ratio	> 50dB
White Balance	Auto / Manual
Gain Control	Auto / Manual
Backlight Compensation	Off / BLC / WDR
Lens	
Mount Type	-DL1: $\phi 14$ -DL3, DL4: M12
Iris	-DL1: Auto Iris (DC drive) -DL3, DL4: Fixed Iris
Focal Length	-DL1: 2.8 ~ 12mm @ F1.6 manual varifocal lens -DL3: 2.8mm -DL4: 2.1mm
Angle of View	-DL1: 87.6° ~ 31.3° -DL3: 101° -DL4: 134°
Adjustment Range	Pan: 0° ~ 355° / Tilt: 0° ~ 75° / Rotation: 0° ~ 355°
Video	
Compression	H.264 / MJPEG
Image Resolution	Main stream: 960p Secondary stream: D1
Frame Rate	Main stream: 960p@30fps Secondary stream: D1@30fps
Bitrate	64kbps ~ 8Mbps
Bitrate Control	VBR / CBR
Dual-stream	Supported
Caption	Date and time / Alarm / Customized
Privacy Masking	Up to 4 zones
Motion Detection	Up to 4 zones
Video Freeze	Supported
Digital Noise Reduction	3D noise reduction
Image Flip	Flip / Mirror / Rotation at 90°, 180°, 270°
Audio	
Compression	G.711a / G.711u / ADPCM / G.722 / AAC-LC
Bitrate	32kbps ~ 64kbps
Audio Function	Bi-directional audio / AEC / Mixed audio recording / Dumb / Mute
Network	
Network Protocols	TCP/IP, UDP, HTTP, DHCP, DNS/DDNS, RTP/RTCP, RTSP, PPPoE, FTP, VSIP, IPv4, IPv6 (optional)
User Interface	IPC Control (IE)
Max. User Access	Max. 10 Users (includes 2 internal)
Application Programming	ONVIF (Profile S), GB/T 28181-2011, API, CGI
Automatic Network Replenishment (ANR)	Supported
Alarm	
Alarm Triggers	Motion detection / Alarm input
Alarm Events	Alarm caption / Snapshot / External output
Interfaces	
Ethernet	10/100M, RJ45 interface
Audio In / Out	1 x Line in / 1 x Line out
Control	1 x RS485
Alarm In / Out	1 x Input / 1 x Output
Memory Slot	TF card slot, supports up to 128GB
Environmental	
Operating Temperature	-30°C ~ 60°C / -22°F ~ 140°F
Operating Humidity	10% ~ 95%
Protection Level	IK10+ @50J
Electrical	
Power	12V DC \pm 10%
Power Consumption	Max. 10W
Mechanical	
Weight	1 kg / 2.2lb (Gross Weight)
Dimensions	$\phi 155.8 \times 125.9\text{mm} / \phi 6.14" \times 4.96"$

IPC2132-AN-DIR

1.3MP HD Network Vandal-Proof IR Semi Dome Camera



Features

Excellent Image Quality

- 1.3 Megapixel 1/3" progressive scan CMOS sensor
- High definition and smooth picture, 960p@30fps
- H.264 high profile video codec, saves up to 30% bandwidth and storage
- Low illumination, 0.01lux with color picture
- WDR support / 3D noise reduction / Auto Iris (-DIR1 only)

Vandal-Proof

- Above IK10 @ 50J collision energy

Integrated High Efficiency IR

- Industrial IR LED with long operational lifespan
- 20 ~ 40m IR distance
- Smart IR function

A Variety of Installation Modes

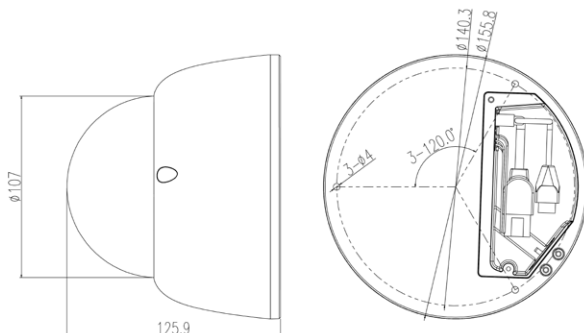
- Supports 90°, 180°, 270° image rotation
- Varifocal lens (-DIR1 only)

Abundant Functions and Features

- TF card slot, supports Automatic Network Replenishment (ANR)
- Dual-stream (960p + D1)
- Bi-directional audio / alarm in and out / RS485
- IP67 (-DIR3 only)

Dimensions

Units:mm



Specifications

	IPC2132-AN(-DIR1, -DIR3)
Camera	
Image Sensor	1/3" progressive scan CMOS
Pixels	1.3 Megapixel
Min. Illumination	Color: 0.01lux @ (F1.6, AGC ON) B/W: 0lux with IR
Shutter Speed	1/10 ~ 1/10,000s
Day / Night	Auto (ICR) / Color / B/W
Wide Dynamic Range	Digital WDR
S/N Ratio	>50dB
White Balance	Auto / Manual
Gain Control	Auto / Manual
Backlight Compensation	Off / BLC / WDR
Lens	
Mount Type	-DIR1: Φ 14 -DIR3: M12
Iris	-DIR1: Auto Iris (DC drive) -DIR3: Fixed Iris
Focal Length	-DIR1: 2.8 ~ 12mm @ F1.6 manual varifocal lens -DIR3: 2.8mm
Angle of View	-DIR1: 87.6° ~ 31.3° -DIR3: 101°
Adjustment Range	Pan: 0° ~ 355° / Tilt: 0° ~ 75° / Rotation: 0° ~ 355°
Infrared	
IR LED	26pcs IR LED
IR Distance	20 ~ 40m
IR Intensity	Smart IR
Video	
Compression	H.264 / MJPEG
Image Resolution	Main stream: 960p Secondary stream: D1
Frame Rate	Main stream: 960p@30fps Secondary stream: D1@30fps
Bitrate	64kbps ~ 8Mbps
Bitrate Control	VBR / CBR
Dual-stream	Supported
Caption	Date and time / Alarm / Customized
Privacy Masking	Up to 4 zones
Motion Detection	Up to 4 zones
Video Freeze	Supported
Digital Noise Reduction	3D noise reduction
Image Flip	Flip / Mirror / Rotation at 90°, 180°, 270°
Audio	
Compression	G.711a / G.711u / ADPCM / G.722 / AAC-LC
Bitrate	32kbps ~ 64kbps
Audio Function	Bi-directional audio / AEC / Mixed audio recording / Dumb / Mute
Network	
Network Protocols	TCP/IP, UDP, HTTP, DHCP, DNS/DDNS, RTP/RTCP, RTSP, PPPoE, FTP, VSIP, IPv4, IPv6 (optional)
User Interface	IPC Control (IE)
Max. User Access	Max. 10 Users (includes 2 internal)
Application Programming	ONVIF (Profile S), GB/T 28181-2011, API, CGI
Automatic Network Replenishment (ANR)	Supported
Alarm	
Alarm Triggers	Motion detection / Alarm input
Alarm Events	Alarm caption / Snapshot / External output
Interfaces	
Ethernet	10/100M, RJ45 interface
Audio In / Out	1 x Line in / 1 x Line out
Control	1 x RS485
Alarm In / Out	1 x Input / 1 x Output
Memory Slot	TF card slot, supports up to 128GB
Environmental	
Operating Temperature	-30°C ~ 60°C / -22°F ~ 140°F
Operating Humidity	10% ~ 95%
Protection Level	IK10+ @50J, IP67 (-DIR3 only)
Electrical	
Power	12V DC \pm 10%
Power Consumption	Max. 10W
Mechanical	
Weight	1 kg / 2.2lb (Gross Weight)
Dimensions	Φ 155.8 x 125.9mm / Φ 6.14" x 4.96"

IPC2232-AN-DL

2.0MP HD Network Vandal-Proof Semi Dome Camera



Features

Excellent Image Quality

- 2.0 Megapixel 1/2.8" progressive scan CMOS sensor
- High definition and smooth picture, 1080p@30fps
- H.264 high profile video codec, saves up to 30% bandwidth and storage
- Low illumination, 0.05lux with color picture
- WDR support / 3D noise reduction / Auto Iris (-DL1 only)

Vandal-Proof

- Above IK10 @ 50J collision energy

A Variety of Installation Modes

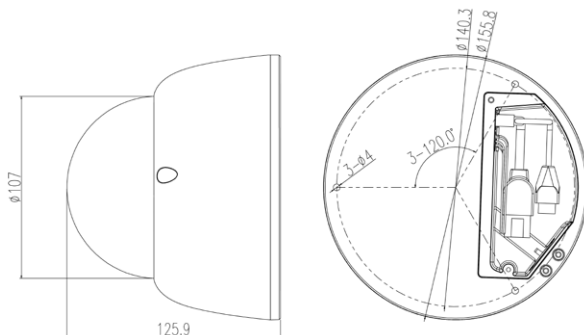
- Supports 90°, 180°, 270° image rotation
- Varifocal lens (-DL1 only)

Abundant Functions and Features

- TF card slot, supports Automatic Network Replenishment (ANR)
- Dual-stream (1080p + D1)
- Bi-directional audio / alarm in and out / RS485

Dimensions

Units:mm



Specifications

	IPC2232-AN(-DL1, -DL3, -DL4)
Camera	
Image Sensor	1/2.8" progressive scan CMOS
Pixels	2.0 Megapixel
Min. Illumination	Color: 0.05lux @ (F1.6, AGC ON) B/W: 0.005lux @ (F1.6, AGC ON)
Shutter Speed	1/10 ~ 1/10,000s
Day / Night	Auto (ICR) / Color / B/W
Wide Dynamic Range	Digital WDR
S/N Ratio	> 50dB
White Balance	Auto / Manual
Gain Control	Auto / Manual
Backlight Compensation	Off / BLC / WDR
Lens	
Mount Type	-DL1: $\phi 14$ -DL3, DL4: M12
Iris	-DL1: Auto Iris (DC drive) -DL3, DL4: Fixed Iris
Focal Length	-DL1: 2.8 ~ 12mm @ F1.6 manual varifocal lens -DL3: 2.8mm -DL4: 2.1mm
Angle of View	-DL1: 87.6.6° ~ 31.3° -DL3: 101° -DL4: 134°
Adjustment Range	Pan: 0° ~ 355° / Tilt: 0° ~ 75° / Rotation: 0° ~ 355°
Video	
Compression	H.264 / MJPEG
Image Resolution	Main stream: 1080p Secondary stream: D1
Frame Rate	Main stream: 1080p@30fps Secondary stream: D1@30fps
Bitrate	64kbps ~ 8Mbps
Bitrate Control	VBR / CBR
Dual-stream	Supported
Caption	Date and time / Alarm / Customized
Privacy Masking	Up to 4 zones
Motion Detection	Up to 4 zones
Video Freeze	Supported
Digital Noise Reduction	3D noise reduction
Image Flip	Flip / Mirror / Rotation at 90°, 180°, 270°
Audio	
Compression	G.711a / G.711u / ADPCM / G.722 / AAC-LC
Bitrate	32kbps ~ 64kbps
Audio Function	Bi-directional audio / AEC / Mixed audio recording / Dumb / Mute
Network	
Network Protocols	TCP/IP, UDP, HTTP, DHCP, DNS/DDNS, RTP/RTCP, RTSP, PPPoE, FTP, VSIP, IPv4, IPv6 (optional)
User Interface	IPC Control (IE)
Max. User Access	Max. 10 Users (includes 2 internal)
Application Programming	ONVIF (Profile S), GB/T 28181-2011, API, CGI
Automatic Network Replenishment (ANR)	Supported
Alarm	
Alarm Triggers	Motion detection / Alarm input
Alarm Events	Alarm caption / Snapshot / External output
Interfaces	
Ethernet	10/100M, RJ45 interface
Audio In / Out	1 x Line in / 1 x Line out
Control	1 x RS485
Alarm In / Out	1 x Input / 1 x Output
Memory Slot	TF card slot, supports up to 128GB
Environmental	
Operating Temperature	-30°C ~ 60°C / -22°F ~ 140°F
Operating Humidity	10% ~ 95%
Protection Level	IK10+ @50J
Electrical	
Power	12V DC \pm 10%
Power Consumption	Max. 11W
Mechanical	
Weight	1 kg / 2.2lb (Gross Weight)
Dimensions	$\phi 155.8 \times 125.9$ mm / $\phi 6.14" \times 4.96"$

IPC2232-AN-DIR

2.0MP HD Network Vandal-Proof IR Semi Dome Camera



Features

Excellent Image Quality

- 2.0 Megapixel 1/2.8" progressive scan CMOS sensor
- High definition and smooth picture, 1080p@30fps
- H.264 high profile video codec, saves up to 30% bandwidth and storage
- Low illumination, 0.05lux with color picture
- WDR support / 3D noise reduction / Auto Iris (-DIR1 only)

Vandal-Proof

- Above IK10 @ 50J collision energy

Integrated High Efficiency IR

- Industrial IR LED with long operational lifespan
- 20 ~ 40m IR distance
- Smart IR function

A Variety of Installation Modes

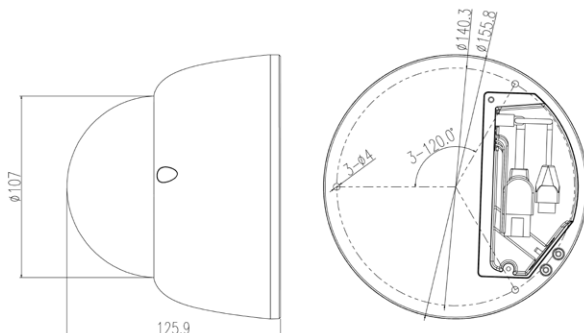
- Supports 90°, 180°, 270° image rotation
- Varifocal lens (-DIR1 only)

Abundant Functions and Features

- TF card slot, supports Automatic Network Replenishment (ANR)
- Dual-stream (1080p + D1)
- Bi-directional audio / alarm in and out / RS485
- IP67 (-DIR3 only)

Dimensions

Units:mm



Specifications

	IPC2232-AN(-DIR1, -DIR3)
Camera	
Image Sensor	1/2.8" progressive scan CMOS
Pixels	2.0 Megapixel
Min. Illumination	Color: 0.05lux @ (F1.6, AGC ON)
Shutter Speed	B/W: 0lux with IR
Day / Night	1/10 ~ 1/10,000s
Wide Dynamic Range	Auto (ICR) / Color / B/W
S/N Ratio	Digital WDR
White Balance	> 50dB
Gain Control	Auto / Manual
Backlight Compensation	Auto / Manual
	Off / BLC / WDR
Lens	
Mount Type	-DIR1: Ø14
	-DIR3: M12
Iris	-DIR1: Auto Iris (DC drive)
	-DIR3: Fixed Iris
Focal Length	-DIR1: 2.8 ~ 12mm @ F1.6 manual varifocal lens
	-DIR3: 2.8mm
Angle of View	-DIR1: 87.6.6° ~ 31.3°
	-DIR3: 101°
Adjustment Range	Pan: 0° ~ 355° / Tilt: 0° ~ 75° / Rotation: 0° ~ 355°
Infrared	
IR LED	26pcs IR LED
IR Distance	20 ~ 40m
IR Intensity	Smart IR
Video	
Compression	H.264 / MJPEG
Image Resolution	Main stream: 1080p
	Secondary stream: D1
Frame Rate	Main stream: 1080p@30fps
	Secondary stream: D1@30fps
Bitrate	64kbps ~ 8Mbps
Bitrate Control	VBR / CBR
Dual-stream	Supported
Caption	Date and time / Alarm / Customized
Privacy Masking	Up to 4 zones
Motion Detection	Up to 4 zones
Video Freeze	Supported
Digital Noise Reduction	3D noise reduction
Image Flip	Flip / Mirror / Rotation at 90°, 180°, 270°
Audio	
Compression	G.711a / G.711u / ADPCM / G.722 / AAC-LC
Bitrate	32kbps ~ 64kbps
Audio Function	Bi-directional audio / AEC / Mixed audio recording / Dumb / Mute
Network	
Network Protocols	TCP/IP, UDP, HTTP, DHCP, DNS/DDNS, RTP/RTCP, RTSP, PPPoE, FTP, VSIP, IPv4, IPv6 (optional)
User Interface	IPC Control (IE)
Max. User Access	Max. 10 Users (includes 2 internal)
Application Programming	ONVIF (Profile S), GB/T 28181-2011, API, CGI
Automatic Network Replenishment (ANR)	Supported
Alarm	
Alarm Triggers	Motion detection / Alarm input
Alarm Events	Alarm caption / Snapshot / External output
Interfaces	
Ethernet	10/100M, RJ45 interface
Audio In / Out	1 x Line in / 1 x Line out
Control	1 x RS485
Alarm In / Out	1 x Input / 1 x Output
Memory Slot	TF card slot, supports up to 128GB
Environmental	
Operating Temperature	-30°C ~ 60°C / -22°F ~ 140°F
Operating Humidity	10% ~ 95%
Protection Level	IK10+ @50J, IP67 (-DIR3 only)
Electrical	
Power	12V DC ± 10%
Power Consumption	Max. 11W
Mechanical	
Weight	1 kg / 2.2lb (Gross Weight)
Dimensions	Ø155.8 × 125.9mm / Ø6.14" × 4.96"

IPC411-E020

1.3MP HD 16x Network Speed Dome Camera



Features

Excellent Image Quality

- 1.3 Megapixel 1/3" progressive scan CMOS sensor
- High definition and smooth picture, 960p@30fps
- H.264 high profile video codec, saves up to 30% bandwidth and storage
- Low illumination, 0.03lux with color picture
- WDR support / 3D noise reduction

Long Operation Lifespan

- Industrial components, withstands operation temperatures of -40°C ~ 70°C
- IP67, TVS 6000V lightning protection, surge protection and voltage transient protection (-N1)

A Variety of Installation Modes

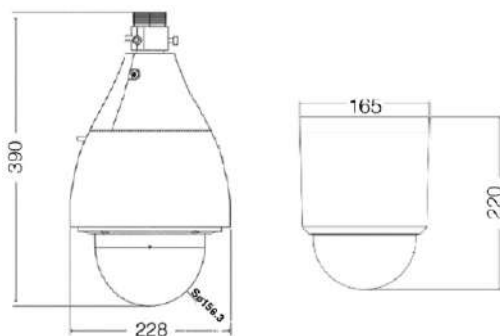
- Indoor ceiling / Indoor recessed / Outdoor

Abundant Functions and Features

- SD card slot, supports Automatic Network Replenishment (ANR)
- Dual-stream (960p+D1)
- Bi-directional audio / alarm in and out / video out / RS485

Dimensions

Units: mm



Specifications

	IPC411-E020(-N0, -N1)
Camera	
Image Sensor	1/3" progressive scan CMOS
Pixels	1.3 Megapixel
Min. Illumination	Color: 0.03lux @ (F1.5, AGC ON) B/W: 0.003lux @ (F1.5, AGC ON)
Shutter Speed	1/10 ~ 1/10,000s
Day / Night	Auto (ICR) / Color / B/W
Wide Dynamic Range	Digital WDR
S/N Ratio	> 52dB
White Balance	Auto / Manual
Gain Control	Auto / Manual
Backlight Compensation	Off / BLC / WDR
Lens	
Focal Length	6 ~ 96mm, 16x
Zoom Speed	Approx 3s (Optical)
Angle of View	56° ~ 3.6° (Wide~Tele)
Min. Object Distance	300 ~ 1000mm (Wide~Tele)
Max. Aperture Ratio	F1.5 (Wide) / F3.6 (Tele)
Focus Control	Auto / Manual / Semi-Automatic
Pan and Tilt	
Pan / Tilt Range	360° Endless / 0° ~ 90°
Pan / Tilt Speed	Pan manual speed: 0.1° ~ 250°/s; Pan preset speed: 450°/s Tilt manual speed: 0.1° ~ 150°/s; Tilt preset speed: 350°/s
Proportional Zoom	Pan / Tilt speed can be adjusted automatically according to zoom multiples
Preset	255
Patrol	8 Patrols scheme, up to 32 presets per patrol
Pattern Scan	4 Scan paths, each path can record 10 minutes of operation path
Power-off Memory	Power-off memory / Power-on recovery
Auto Guard	Patrol / Preset / Pattern Scan / Pan scan / Tilt scan / Frame scan / Random scan / Panorama scan
PT Limit	Manual / Scan / Pan
3D Positioning	PTZ control with mouse click and drag
Video	
Compression	H.264
Image Resolution	Main stream: 960p Secondary stream: D1
Dual-stream	Supported
Frame Rate	Main stream: 960p@30fps Secondary stream: D1@30fps
Bitrate	64kbps ~ 8Mbps
Bitrate Control	VBR / CBR
Dual-stream	Supported
Caption	Date and time / Alarm / Customized
Privacy Masking	Up to 4 zones
Motion Detection	Up to 4 zones
Video Freeze	Supported
Digital Noise Reduction	3D noise reduction
Image Flip	Flip / Mirror
Audio	
Compression	G.711a / G.711u / ADPCM / G.722 / AAC-LC
Bitrate	32kbps ~ 64kbps
Audio Function	Bi-directional audio / AEC / Mixed audio recording / Dumb / Mute
Network	
Network Protocols	TCP/IP, UDP, HTTP, DHCP, DNS/DDNS, RTP/RTCP, RTSP, PPPoE, FTP, VSIP, IPv4, IPv6 (optional)
User Interface	IPC Control (IE)
Max. User Access	Max. 10 Users (includes 2 internal)
Application Programming	ONVIF (Profile S), GB/T 28181-2011, API, CGI
Automatic Network Replenishment (ANR)	Supported
Alarm	
Alarm Triggers	Motion detection / Alarm input
Alarm Events	Alarm caption / Snapshot / External output
Interfaces	
Ethernet	10/100M, RJ45 interface
Audio In / Out	1 x Line in / 1 x Line out
Control	1 x RS485
Alarm In / Out	4 x Input / 2 x Output
Video Out	1 x BNC, 1.0V I _{p-p} / 75Ω
Memory Slot	SD card slot, supports up to 128GB
Environmental	
Operating Temperature	-40°C ~ 70°C / -40°F ~ 158°F
Operating Humidity	10% ~ 95%
Protection Level	-N1(Outdoor): IP67, TVS 6000V lightning protection, surge protection and voltage transient protection
Electrical	
Power	24V AC / 3A (Power adapter included)
Power Consumption	Max. 45W (Heater on)
Mechanical	
Weight	-N0(Indoor): 3 kg / 6.6lb (Net Weight) -N1(Outdoor): 6 kg / 13.2lb (Net Weight)
Dimensions	-N0(Indoor): Φ165 × 220mm / Φ6.50" × 8.66" -N1(Outdoor): Φ228 × 390mm / Φ8.98" × 15.35"

IPC411-E120

1.3MP HD 16x Network Speed Dome Camera



Features

Excellent Image Quality

- 1.3 Megapixel 1/3" progressive scan CMOS sensor
- High definition and smooth picture, 960p@30fps
- H.264 high profile video codec, saves up to 30% bandwidth and storage
- Low illumination, 0.03lux with color picture
- WDR support / 3D noise reduction

Long Operation Lifespan

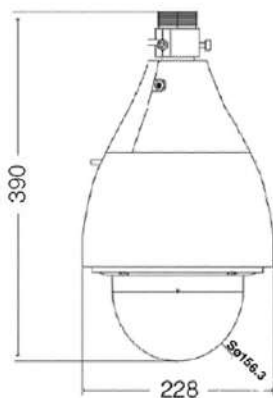
- Industrial components, withstands operation temperatures of -40°C ~ 70°C
- IP67, TVS 6000V lightning protection, surge protection and voltage transient protection

Abundant Functions and Features

- SD card slot, supports Automatic Network Replenishment (ANR)
- Dual-stream (960p+D1)
- Bi-directional audio / alarm in and out

Dimensions

Units: mm



Specifications

IPC411-E120-N1	
Camera	
Image Sensor	1/3" progressive scan CMOS
Pixels	1.3 Megapixel
Min. Illumination	Color: 0.03lux @ (F1.5, AGC ON) B/W: 0.003lux @ (F1.5, AGC ON)
Shutter Speed	1/10 ~ 1/10,000s
Day / Night	Auto (ICR) / Color / B/W
Wide Dynamic Range	Digital WDR
S/N Ratio	> 52dB
White Balance	Auto / Manual
Gain Control	Auto / Manual
Backlight Compensation	Off / BLC / WDR
Lens	
Focal Length	6 ~ 96mm, 16x
Zoom Speed	Approx 3s (Optical)
Angle of View	56° ~ 3.6° (Wide~Tele)
Min. Object Distance	300 ~ 1000mm (Wide~Tele)
Max. Aperture Ratio	F1.5 (Wide) / F3.6 (Tele)
Focus Control	Auto / Manual / Semi-Automatic
Pan and Tilt	
Pan / Tilt Range	360° Endless / 0° ~ 90°
Pan / Tilt Speed	Pan manual speed: 0.1° ~ 250°/s; Pan preset speed: 450°/s Tilt manual speed: 0.1° ~ 150°/s; Tilt preset speed: 350°/s
Proportional Zoom	Pan / Tilt speed can be adjusted automatically according to zoom multiples
Pre-set	255
Patrol	8 Patrols scheme, up to 32 presets per patrol
Pattern Scan	4 Scan paths, each path can record 10 minutes of operation path
Power-off Memory	Power-off memory / Power-on recovery
Auto Guard	Patrol / Pre-set / Pattern Scan / Pan scan / Tilt scan / Frame scan / Random scan / Panorama scan
PT Limit	Manual / Scan / Pan
3D Positioning	PTZ control with mouse click and drag
Video	
Compression	H.264
Image Resolution	Main stream: 960p Secondary stream: D1
Frame Rate	Main stream: 960p@30fps Secondary stream: D1@30fps
Bitrate	64kbps ~ 8Mbps
Bitrate Control	VBR / CBR
Dual-stream	Supported
Caption	Date and time / Alarm / Customized
Privacy Masking	Up to 4 zones
Motion Detection	Up to 4 zones
Video Freeze	Supported
Digital Noise Reduction	3D noise reduction
Image Flip	Flip / Mirror
Audio	
Compression	G.711a / G.711u / ADPCM / G.722 / AAC-LC
Bitrate	32kbps ~ 64kbps
Audio Function	Bi-directional audio / AEC / Mixed audio recording / Dumb / Mute
Network	
Network Protocols	TCP/IP, UDP, HTTP, DHCP, DNS/DDNS, RTP/RTCP, RTSP, PPPoE, FTP, VSIP, IPv4, IPv6 (optional)
User Interface	IPC Control (IE)
Max. User Access	Max. 10 Users (includes 2 internal)
Application Programming	ONVIF (Profile S), GB/T 28181-2011, API, CGI
Automatic Network Replenishment (ANR)	Supported
Alarm	
Alarm Triggers	Motion detection / Alarm input
Alarm Events	Alarm caption / Snapshot / External output
Interfaces	
Ethernet	10/100M, RJ45 interface
Audio In / Out	1 x Line in / 1 x Line out
Alarm In / Out	2 x Input / 1 x Output
Memory Slot	SD card slot, supports up to 128GB
Environmental	
Operating Temperature	-40°C ~ 70°C / -40°F ~ 158°F
Operating Humidity	10% ~ 95%
Protection Level	IP67, TVS 6000V lightning protection, surge protection and voltage transient protection
Electrical	
Power	24V AC / 3A (Power adapter included)
Power Consumption	Max. 45W (Heater on)
Mechanical	
Weight	6 kg / 13.2lb (Net Weight)
Dimensions	Φ228 × 390mm / Φ8.98" × 15.35"

IPC421-E230

2.0MP Starlight & Ultra WDR HD 30x Network Speed Dome Camera



Features

Excellent Image Quality

- 2.0 Megapixel 1/3" progressive scan CMOS sensor
- High definition and smooth picture, 1080p@60fps
- H.265 video codec, saves up to 50% bandwidth and storage
- Low illumination, 0.003lux with color picture
- 120dB Ultra WDR
- HLC / 3D noise reduction

Intelligent Functions

- Motion detection / Tampering / Guard line / Enter guard area / Exit guard area / Object left / Object removal / Gathering / Audio surge

Long Operation Lifespan

- Industrial components, withstands operation temperatures of -40°C ~ 70°C

A Variety of Installation Modes

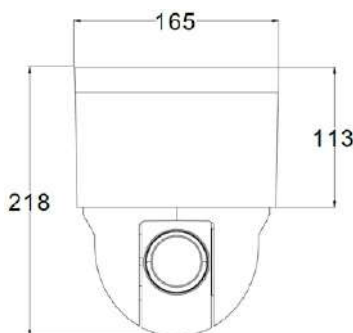
- Indoor ceiling / Indoor recessed

Abundant Functions and Features

- SD card slot, supports Automatic Network Replenishment (ANR)
- Up to 3 video streams
- Bi-directional audio / alarm in and out / video out / RS485
- Built-in O-sensor

Dimensions

Units: mm

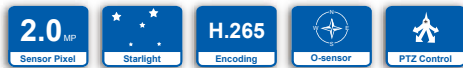


Specifications

IPC421-E230-N0	
Camera	
Image Sensor	1/3" progressive scan CMOS
Pixels	2.0 Megapixel
Min. Illumination	Color: 0.003lux @ (F1.6, AGC ON) B/W: 0.0003lux @ (F1.6, AGC ON)
Shutter Speed	1 ~ 1/30,000s
Day / Night	Auto (ICR) / Color / B/W
Wide Dynamic Range	Ultra WDR, 120dB
S/N Ratio	> 53dB
White Balance	Auto / Manual
Gain Control	Auto / Manual
Backlight Compensation	Off / WDR / BLC / HLC
Lens	
Focal Length	4.5 ~ 135mm, 30x
Zoom Speed	Approx 3s (Optical)
Angle of View	67.8° ~ 2.77° (Wide~Tele)
Min. Object Distance	300 ~ 1500mm (Wide~Tele)
Max. Aperture Ratio	F1.6 (Wide) / F4.4 (Tele)
Focus Control	Auto / Manual / Semi-Automatic
Pan and Tilt	
Pan / Tilt Range	360° Endless / 0° ~ 90°
Pan / Tilt Speed	Pan manual speed: 0.1° ~ 250°/s; Pan preset speed: 450°/s Tilt manual speed: 0.1° ~ 150°/s; Tilt preset speed: 350°/s
Proportional Zoom	Pan / Tilt speed can be adjusted automatically according to zoom multiples
Preset	256
Patrol	8 Patrols scheme, up to 32 presets per patrol
Pattern Scan	4 Scan paths, each path can record 10 minutes of operation path
Power-off Memory	Power-off memory / Power-on recovery
Auto Guard	Path / Preset / Mixed / Pan scan / Tilt scan / Frame scan / Random scan / Panorama scan
PT Limit	Manual / Scan / Pan
3D Positioning	PTZ control with mouse click and drag
Electronic compass	Built-in O-sensor
Video	
Compression	H.265 / H.264 / MJPEG
Image Resolution	Main stream: 1080p Secondary stream: D1
Frame Rate	Main stream: 1080p@60fps Secondary stream: D1@30fps
Bitrate	32kbps ~ 16Mbps
Bitrate Control	VBR / CBR
Multi-stream	Supported
Caption	Date and time / Alarm / Direction / Customized
Privacy Masking	Up to 4 zones
Motion Detection	Up to 4 zones
Video Freeze	Supported
ROI	Supported
Digital Noise Reduction	3D noise reduction
Digital Defog	Supported
Image Flip	Flip / Mirror
Audio	
Compression	G.711a / G.711u / ADPCM / G.722 / AAC-LC / G.722.1c / G.726
Bitrate	32kbps ~ 64kbps
Audio Function	Bi-directional audio / AEC / Mixed audio recording / Dumb / Mute
Network	
Network Protocols	TCP/IP, UDP, HTTP, DHCP, DNS/DDNS, RTP/RTCP, RTSP, PPPoE, FTP, VSIP, UPnP, 802.1x, NAT, QoS, SMTP, IPv4, IPv6 (optional)
User Interface	IPC Control (IE, Firefox, Chrome)
Max. User Access	Max. 10 Users (includes 2 internal)
Application Programming	ONVIF (Profile S, Profile G), GB/T 28181-2011, API, CGI
Automatic Network Replenishment (ANR)	Supported
Alarm	
Alarm Triggers	Alarm input / Network disconnect / Disk full / Disk error
Intelligent	Motion detection / Tampering / Guard line / Enter guard area / Exit guard area / Object left / Object removal / Gathering / Audio surge
Alarm Events	Alarm report / Recording / Text overlay / Snapshot / External output / Email notice / Acoustic alarm
Interfaces	
Ethernet	10/100M, RJ45 interface
Audio In / Out	1 x Line in / 1 x Line out
Control	1 x RS485
Alarm In / Out	4 x Input / 2 x Output
Video Out	1 x BNC, 1.0V [p-p] / 75Ω
Memory Slot	SD card slot, supports up to 128GB
Environmental	
Operating Temperature	-40°C ~ 70°C / -40°F ~ 158°F
Operating Humidity	10% ~ 95%
Electrical	
Power	24V AC / 3A (Power adapter included)
Power Consumption	Max. 45W
Mechanical	
Weight	3 kg / 6.6lb (Net Weight)
Dimensions	Φ165 x 220mm / Φ6.50" x 8.66"

IPC421-F120

2.0MP Starlight & Ultra WDR HD 20x Network Speed Dome Camera



Features

Excellent Image Quality

- 2.0 Megapixel 1/2.8" progressive scan CMOS sensor
- High definition and smooth picture, 1080p@30fps
- H.265 video codec, saves up to 50% bandwidth and storage
- Ultra low illumination, 0.003lux with color picture
- 120dB Ultra WDR
- HLC / 3D noise reduction

Intelligent Functions

- Motion detection / Tampering / Guard line / Enter guard area / Exit guard area

Long Operation Lifespan

- Industrial components, withstands operation temperatures of -40°C ~ 70°C
- IP67, TVS 6000V lightning protection, surge protection and voltage transient protection (-N1)

A Variety of Installation Modes

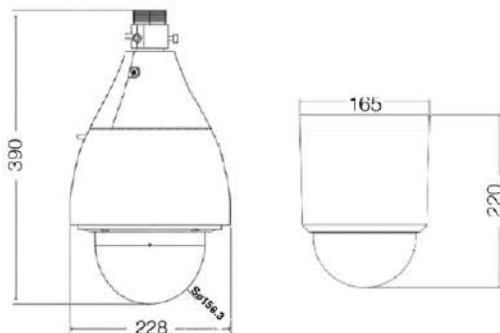
- Indoor ceiling / Indoor recessed / Outdoor

Abundant Functions and Features

- SD card slot, supports Automatic Network Replenishment (ANR)
- Up to 3 video streams
- Bi-directional audio / alarm in and out / video out / RS485
- Built-in O-sensor

Dimensions

Units: mm



Specifications

	IPC421-F120(-N0, -N1)
Camera	
Image Sensor	1/2.8" progressive scan CMOS
Pixels	2.0 Megapixel
Min. Illumination	Color: 0.003lux @ (F1.6, AGC ON) B/W: 0.0003lux @ (F1.6, AGC ON)
Shutter Speed	1 ~ 1/30,000s
Day / Night	Auto (ICR) / Color / B/W
Wide Dynamic Range	Ultra WDR, 120dB
S/N Ratio	> 53dB
White Balance	Auto / Manual
Gain Control	Auto / Manual
Backlight Compensation	Off / WDR / BLC / HLC
Lens	
Focal Length	4.7 ~ 94mm, 20x
Zoom Speed	Approx 3s (Optical)
Angle of View	61° ~ 3.64° (Wide~Tele)
Min. Object Distance	300 ~ 1000mm (Wide~Tele)
Max. Aperture Ratio	F1.6 (Wide) / F3.5 (Tele)
Focus Control	Auto / Manual / Semi-Automatic
Pan and Tilt	
Pan / Tilt Range	360° Endless / 0° ~ 90°
Pan / Tilt Speed	Pan manual speed: 0.1° ~ 250°/s; Pan preset speed: 450°/s Tilt manual speed: 0.1° ~ 150°/s; Tilt preset speed: 350°/s
Proportional Zoom	Pan / Tilt speed can be adjusted automatically according to zoom multiples
Preset	256
Patrol	8 Patrols scheme, up to 32 presets per patrol
Pattern Scan	4 Scan paths, each path can record 10 minutes of operation path
Power-off Memory	Power-off memory / Power-on recovery
Auto Guard	Path / Preset / Mixed / Pan scan / Tilt scan / Frame scan / Random scan / Panorama scan
PT Limit	Manual / Scan / Pan
3D Positioning	PTZ control with mouse click and drag
Electronic compass	Built-in O-sensor
Video	
Compression	H.265 / H.264 / MJPEG
Image Resolution	Main stream: 1080p Secondary stream: D1
Frame Rate	Main stream: 1080p@30fps Secondary stream: D1@30fps
Bitrate	32kbps ~ 16Mbps
Bitrate Control	VBR / CBR
Multi-stream	Supported
Caption	Date and time / Alarm / Direction / Customized
Privacy Masking	Up to 4 zones
Motion Detection	Up to 4 zones
Video Freeze	Supported
ROI	Supported
Digital Noise Reduction	3D noise reduction
Digital Defog	Supported
Image Flip	Flip / Mirror
Audio	
Compression	G.711a / G.711u / ADPCM / G.722 / AAC-LC / G.722.1c / G.726
Bitrate	32kbps ~ 64kbps
Audio Function	Bi-directional audio / AEC / Mixed audio recording / Dumb / Mute
Network	
Network Protocols	TCP/IP, UDP, HTTP, DHCP, DNS/DDNS, RTP/RTCP, RTSP, PPPoE, FTP, VSIP, UPnP, 802.1x, NAT, QoS, SMTP, IPv4, IPv6 (optional)
User Interface	IPC Control (IE, Firefox, Chrome)
Max. User Access	Max. 10 Users (includes 2 internal)
Application Programming	ONVIF (Profile S, Profile G), GB/T 28181-2011, API, CGI
Automatic Network Replenishment (ANR)	Supported
Alarm	
Alarm Triggers	Alarm input / Network disconnect / Disk full / Disk error
Intelligent	Motion detection / Tampering / Guard line / Enter guard area / Exit guard area
Alarm Events	Alarm report / Recording / Text overlay / Snapshot / External output / Email notice / Acoustic alarm
Interfaces	
Ethernet	10/100M, RJ45 interface
Audio In / Out	1 x Line in / 1 x Line out
Control	1 x RS485
Alarm In / Out	4 x Input / 2 x Output
Video Out	1 x BNC, 1.0V [p-p] / 75Ω
Memory Slot	SD card slot, supports up to 128GB
Environmental	
Operating Temperature	-40°C ~ 70°C / -40°F ~ 158°F
Operating Humidity	10% ~ 95%
Protection Level	-N1(Outdoor): IP67, TVS 6000V lightning protection, surge protection and voltage transient protection
Electrical	
Power	24V AC / 3A (Power adapter included)
Power Consumption	Max. 45W (Heater on)
Mechanical	
Weight	-N0(Indoor): 3 kg / 6.6lb (Net Weight) -N1(Outdoor): 6 kg / 13.2lb (Net Weight)
Dimensions	-N0(Indoor): Φ165 × 220mm / Φ6.50" × 8.66" -N1(Outdoor): Φ228 × 390mm / Φ8.98" × 15.35"

IPC421-F233-N1

2.0MP Starlight & Ultra WDR HD 33x Network Speed Dome Camera



Features

Excellent Image Quality

- 2.0 Megapixel 1/2.8" progressive scan CMOS sensor
- High definition and smooth picture, 1080p@30fps
- H.265 video codec, saves up to 50% bandwidth and storage
- Ultra low illumination, 0.003lux with color picture
- 120dB Ultra WDR

Intelligent Functions

- Motion detection / Tampering / Guard line / Enter guard area / Exit guard area / Object left / Object removal / Gathering / Audio surge

Long Operation Lifespan

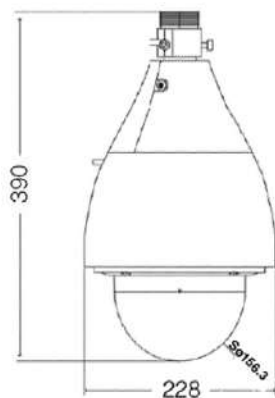
- Industrial components, withstands operation temperatures of -40°C ~ 70°C
- IP67, TVS 6000V lightning protection, surge protection and voltage transient protection

Abundant Functions and Features

- SD card slot, supports Automatic Network Replenishment (ANR)
- Up to 3 video streams
- Bi-directional audio / alarm in and out / video out / RS485
- Built-in O-sensor

Dimensions

Units: mm



Specifications

IPC421-F233-N1	
Camera	IPC421-F233-N1
Image Sensor	1/2.8" progressive scan CMOS
Pixels	2.0 Megapixel
Min. Illumination	Color: 0.003lux @ (F1.6, AGC ON) B/W: 0.0003lux @ (F1.6, AGC ON)
Shutter Speed	1 ~ 1/30,000s
Day / Night	Auto (ICR) / color / B/W
Wide Dynamic Range	Ultra WDR, 120dB
S/N Ratio	>55dB
White Balance	Auto / Manual
Gain Control	Auto / Manual
Backlight Compensation	Off / WDR / BLC / HLC
Lens	
Focal Length	4.5 ~ 148.5mm, 33x optical
Zoom Speed	Approx 3s (Optical)
Angle of View	67.8° ~ 2.34° (Wide~Tele)
Min. Object Distance	300 ~ 1500mm (Wide~Tele)
Max. Aperture Ratio	F1.6 (Wide) / F4.4 (Tele)
Focus Control	Auto / Manual / Semi-Automatic
Pan and Tilt	
Pan / Tilt Range	360° Endless / 0° ~ 90°
Pan / Tilt Speed	Pan manual speed: 0.1° ~ 250°/s; Pan preset speed: 450°/s Tilt manual speed: 0.1° ~ 150°/s; Tilt preset speed: 350°/s
Proportional Zoom	Pan / Tilt speed can be adjusted automatically according to zoom multiples
Preset	256
Patrol	8 Patrols scheme, up to 32 presets per patrol
Pattern Scan	4 Scan paths, each path can record 10 minutes of operation path
Power-off Memory	Power-off memory / Power-on recovery
Auto Guard	Path / Preset / Mixed / Pan scan / Tilt scan / Frame scan / Random scan / Panorama scan
PT Limit	Manual / Scan / Pan
3D Positioning	PTZ control with mouse click and drag
Electronic compass	Built-in O-sensor
Video	
Compression	H.265 / H.264 / MJPEG
Image Resolution	Main stream: 1080p Secondary stream: D1
Frame Rate	Main stream: 1080p@30fps Secondary stream: D1@30fps
Bitrate	32kbps ~ 16Mbps
Bitrate Control	VBR / CBR
Multi-stream	IPC421-F233-N1
Caption	Date and time / Alarm / Direction / Customized
Privacy Masking	Up to 4 zones
Motion Detection	Up to 4 zones
Video Freeze	Supported
ROI	Supported
Digital Noise Reduction	3D noise reduction
Digital Defog	Supported
Image Flip	Flip / Mirror
Audio	
Compression	G.711a / G.711u / ADPCM / G.722 / AAC-LC / G.722.1c / G.726
Bitrate	32kbps ~ 64kbps
Audio Function	Bi-directional audio / AEC / Mixed audio recording / Dumb / Mute
Network	
Network Protocols	TCP/IP, UDP, HTTP, DHCP, DNS/DDNS, RTP/RTCP, RTSP, PPPoE, FTP, VSIP, UPnP, 802.1x, NAT, QoS, SMTP, IPv4, IPv6 (optional)
User Interface	IPC Control (IE, Firefox, Chrome)
Max. User Access	Max. 10 Users (includes 2 internal)
Application Programming	ONVIF (Profile S, Profile G), GB/T 28181-2011, API, CGI
Automatic Network Replenishment (ANR)	Supported
Alarm	
Alarm Triggers	Alarm input / Network disconnect / Disk full / Disk error
Intelligent	Motion detection / Tampering / Guard line / Enter guard area / Exit guard area / Object left / Object removal / Gathering / Audio surge
Alarm Events	Alarm report / Recording / Text overlay / Snapshot / External output / Email notice / Acoustic alarm
Interfaces	
Ethernet	10/100M, RJ45 interface
Audio In / Out	1 x Line in / 1 x Line out
Control	1 x RS485
Alarm In / Out	4 x Input / 2 x Output
Video Out	1 x BNC, 1.0V [p-p] / 75Ω
Memory Slot	SD card slot, supports up to 128GB
Environmental	
Operating Temperature	-40°C ~ 70°C / -40°F ~ 158°F
Operating Humidity	10% ~ 95%
Protection Level	IP67, TVS 6000V lightning protection, surge protection and voltage transient protection
Electrical	
Power	24V AC / 3A (Power adapter included)
Power Consumption	Max. 45W (Heater on)
Mechanical	
Weight	6 kg / 13.2lb (Net Weight)
Dimensions	Ø228 x 390mm / Ø8.98" x 15.35"

IPC415-E120-N

1.3MP HD 16x Network IR Speed Dome Camera



Features

Excellent Image Quality

- 1.3 Megapixel 1/3" progressive scan CMOS sensor
- High definition and smooth picture, 960p@30fps
- H.264 high profile video codec, saves up to 30% bandwidth and storage
- Low illumination, 0.03lux with color picture
- WDR support / IR automatically adjusts / 3D noise reduction

Long Operation Lifespan

- Industrial IR LED and components, withstands operation temperatures of -40°C ~ 70°C
- IP66, TVS 6000V lightning protection, surge protection and voltage transient protection

Large Scale

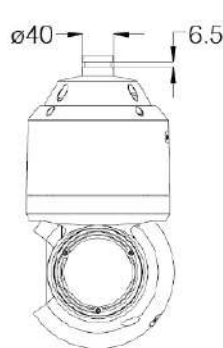
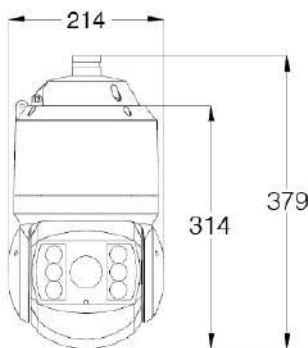
- 16x optical zoom
- IR distance up to 150m

Abundant Functions and Features

- SD card slot, supports Automatic Network Replenishment (ANR)
- Dual-stream (960p+D1)
- Bi-directional audio / alarm in and out

Dimensions

Units: mm



Specifications

IPC415-E120-N	
Camera	
Image Sensor	1/3" progressive scan CMOS
Pixels	1.3 Megapixel
Min. Illumination	Color: 0.03lux @ (F1.6, AGC ON) B/W: 0.003lux @ (F1.6, AGC ON)
Shutter Speed	1/10 ~ 1/10,000s
Day / Night	Auto (ICR) / Color / B/W
Wide Dynamic Range	Digital WDR
S/N Ratio	> 55dB
White Balance	Auto / Manual
Gain Control	Auto / Manual
Backlight Compensation	Off / BLC / WDR
Lens	
Focal Length	6 ~ 96mm, 16x
Zoom Speed	Approx 3s (Optical)
Angle of View	56° ~ 3.6° (Wide~Tele)
Min. Object Distance	300 ~ 1000mm (Wide~Tele)
Max. Aperture Ratio	F1.5 (Wide) / F3.6 (Tele)
Focus Control	Auto / Manual / Semi-Automatic
Infrared	
IR LED	6pcs IR LED Array
IR Distance	100 ~ 150m
IR Intensity	Automatically adjust according to zoom ratio
Pan and Tilt	
Pan / Tilt Range	360° Endless / -15° ~ 90° (Auto Flip)
Pan / Tilt Speed	Pan manual speed: 0.1° ~ 175°/s; Pan preset speed: 193°/s Tilt manual speed: 0.1° ~ 130°/s; Tilt preset speed: 160°/s
Proportional Zoom	Pan / Tilt speed can be adjusted automatically according to zoom multiples
Preset	255
Patrol	8 Patrols scheme, up to 32 presets per patrol
Pattern Scan	4 Scan paths, each path can record 10 minutes of operation path
Power-off Memory	Power-off memory / Power-on recovery
Auto Guard	Patrol / Preset / Pattern Scan / Pan scan / Tilt scan / Frame scan / Random scan / Panorama scan
PT Limit	Manual / Scan / Pan
3D Positioning	PTZ control with mouse click and drag
Video	
Compression	H.264
Image Resolution	Main stream: 960p Secondary stream: D1
Frame Rate	Main stream: 960p@30fps Secondary stream: D1@30fps
Bitrate	64kbps ~ 8Mbps
Bitrate Control	VBR / CBR
Dual-stream	Supported
Caption	Date and time / Alarm / Customized
Privacy Masking	Up to 4 zones
Motion Detection	Up to 4 zones
Video Freeze	Supported
Digital Noise Reduction	3D noise reduction
Image Flip	Flip / Mirror
Audio	
Compression	G.711a / G.711u / ADPCM / G.722 / AAC-LC
Bitrate	32kbps ~ 64kbps
Audio Function	Bi-directional audio / AEC / Mixed audio recording / Dumb / Mute
Network	
Network Protocols	TCP/IP, UDP, HTTP, DHCP, DNS/DDNS, RTP/RTCP, RTSP, PPPoE, FTP, VSIP, IPv4, IPv6 (optional)
User Interface	IPC Control (IE)
Max. User Access	Max. 10 Users (includes 2 internal)
Application Programming	ONVIF (Profile S), GB/T 28181-2011, API, CGI
Automatic Network Replenishment (ANR)	Supported
Alarm	
Alarm Triggers	Motion detection / Alarm input
Alarm Events	Alarm caption / Snapshot / External output
Interfaces	
Ethernet	10/100M, RJ45 interface
Audio In / Out	1 x Line in / 1 x Line out
Alarm In / Out	2 x Input / 1 x Output
Memory Slot	SD card slot, supports up to 128GB
Environmental	
Operating Temperature	-40°C ~ 70°C / -40°F ~ 158°F
Operating Humidity	10% ~ 95%
Protection Level	IP66, TVS 6000V lightning protection, surge protection and voltage transient protection
Electrical	
Power	24V AC / 3A (Power adapter included)
Power Consumption	Max. 45W (IR on)
Mechanical	
Weight	8 kg / 17.6lb (Gross Weight)
Dimensions	Ø214x 379mm / Ø8.43" x 14.92"

IPC425-H130-N

2.0MP Starlight HD 30x Network IR Speed Dome Camera



Features

Excellent Image Quality

- 2.0 Megapixel 1/3" progressive scan CMOS sensor
- High definition and smooth picture, 1080p@30fps
- H.265 video codec, saves up to 50% bandwidth and storage
- Ultra low illumination, 0.003lux with color picture
- WDR / HLC / 3D noise reduction
- IR automatically adjusts

Intelligent Functions

- Motion detection / Tampering / Guard line / Enter guard area / Exit guard area

Long Operation Lifespan

- Industrial components, withstands operation temperatures of -40°C ~ 70°C
- IP66, TVS 6000V lightning protection, surge protection and voltage transient protection

Large Scale

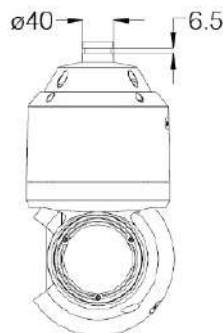
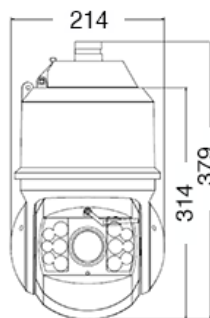
- 30x optical zoom
- IR distance up to 180m

Abundant Functions and Features

- SD card slot, supports Automatic Network Replenishment (ANR)
- Up to 3 video streams
- Bi-directional audio / alarm in and out / video out / RS485
- Built-in O-sensor
- Wiper

Dimensions

Units: mm



Specifications

IPC425-H130-N	
Camera	IPC425-H130-N
Image Sensor	1/3" progressive scan CMOS
Pixels	2.0 Megapixel
Min. Illumination	Color: 0.003lux @ (F1.6, AGC ON) B/W: 0.0003lux @ (F1.6, AGC ON); 0lux with IR
Shutter Speed	1 ~ 1/30,000s
Day / Night	Auto (ICR) / Color / B/W
Wide Dynamic Range	Digital WDR
S/N Ratio	> 55dB
White Balance	Auto / Manual
Gain Control	Auto / Manual
Backlight Compensation	Off / WDR / BLC / HLC
Lens	
Focal Length	4.5 ~ 135mm, 30x
Zoom Speed	Approx 3s (Optical)
Angle of View	67.8° ~ 2.77° (Wide~Tele)
Min. Object Distance	300 ~ 1500mm (Wide~Tele)
Max. Aperture Ratio	F1.6 (Wide) / F4.4 (Tele)
Focus Control	Auto / Manual / Semi-Automatic
Infrared	
IR LED	12pcs IR LED Array
IR Distance	120 ~ 180m
IR Intensity	Automatically adjust according to zoom ratio
Pan and Tilt	
Pan / Tilt Range	360° Endless / -15° ~ 90° (Auto Flip)
Pan / Tilt Speed	Pan manual speed: 0.1° ~ 200°/s; Pan preset speed: 220°/s Tilt manual speed: 0.1° ~ 150°/s; Tilt preset speed: 200°/s
Proportional Zoom	Pan / Tilt speed can be adjusted automatically according to zoom multiples
Preset	256
Patrol	8 Patrols scheme, up to 32 presets per patrol
Pattern Scan	4 Scan paths, each path can record 10 minutes of operation path
Power-off Memory	Power-off memory / Power-on recovery
Auto Guard	Path / Preset / Mixed / Pan scan / Tilt scan / Frame scan / Random scan / Panorama scan
PT Limit	Manual / Scan / Pan
3D Positioning	PTZ control with mouse click and drag
Electronic compass	Built-in O-sensor
Wiper	Supported
Video	
Compression	H.265 / H.264 / MJPEG
Image Resolution	Main stream: 1080p Secondary stream: D1
Frame Rate	Main stream: 1080p@30fps Secondary stream: D1@30fps
Bitrate	32kbps ~ 16Mbps
Bitrate Control	VBR / CBR
Multi-stream	Supported
Caption	Date and time / Alarm / Direction / Customized
Privacy Masking	Up to 4 zones
Motion Detection	Up to 4 zones
Video Freeze	Supported
ROI	Supported
Digital Noise Reduction	3D noise reduction
Digital Defog	Supported
Image Flip	Flip / Mirror
Audio	
Compression	G.711a / G.711u / ADPCM / G.722 / AAC-LC / G.722.1c / G.726
Bitrate	32kbps ~ 64kbps
Audio Function	Bi-directional audio / AEC / Mixed audio recording / Dumb / Mute
Network	
Network Protocols	TCP/IP, UDP, HTTP, DHCP, DNS/DDNS, RTP/RTCP, RTSP, PPPoE, FTP, VSIP, UPnP, 802.1x, NAT, QoS, SMTP, IPv4, IPv6 (optional)
User Interface	IPC Control (IE, Firefox, Chrome)
Max. User Access	Max. 10 Users (Includes 2 Internal)
Application Programming	ONVIF (Profile S, Profile G), GB/T 28181-2011, API, CGI
Automatic Network Replenishment (ANR)	Supported
Alarm	
Alarm Triggers	Alarm input / Network disconnect / Disk full / Disk error
Intelligent	Motion detection / Tampering / Guard line / Enter guard area / Exit guard area
Alarm Events	Alarm report / Recording / Text overlay / Snapshot / External output / Email notice / Acoustic alarm
Interfaces	
Ethernet	10/100M, RJ45 interface
Audio In / Out	1 x Line in / 1 x Line out
Control	1 x RS485
Alarm In / Out	4 x Input / 2 x Output
Video Out	1 x BNC, 1.0V [p-p] / 75Ω
Memory Slot	SD card slot, supports up to 128GB
Environmental	
Operating Temperature	-40°C ~ 70°C / -40°F ~ 158°F
Operating Humidity	10% ~ 95%
Protection Level	IP66, TVS 6000V lightning protection, surge protection and voltage transient protection
Electrical	
Power	24V AC / 3A (Power adapter included)
Power Consumption	Max. 45W (IR on)
Mechanical	
Weight	8 kg / 17.6lb (Gross Weight)
Dimensions	Φ214x 379mm / Φ8.43" x 14.92"

IPC425-E230-N

2.0MP Starlight & Ultra WDR HD 30x Network IR Speed Dome Camera



Features

Excellent Image Quality

- 2.0 Megapixel 1/3" progressive scan CMOS sensor
- High definition and smooth picture, 1080p@60fps
- H.265 video codec, saves up to 50% bandwidth and storage
- Ultra low illumination, 0.003lux with color picture
- 120dB Ultra WDR
- IR automatically adjusts
- HLC / 3D noise reduction

Intelligent Functions

- Motion detection / Tampering / Guard line / Enter guard area / Exit guard area / Object left / Object removal / Gathering / Audio surge

Long Operation Lifespan

- Industrial components, withstands operation temperatures of -40°C ~ 70°C
- IP66, TVS 6000V lightning protection, surge protection and voltage transient protection

Large Scale

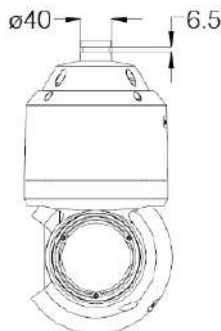
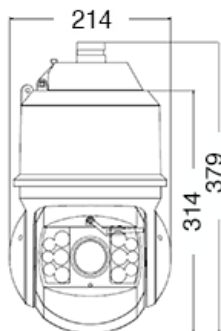
- 30x optical zoom
- IR distance up to 220m

Abundant Functions and Features

- SD card slot, supports Automatic Network Replenishment (ANR)
- Up to 3 video streams
- Bi-directional audio / alarm in and out / video out / RS485
- Built-in O-sensor
- Wiper

Dimensions

Units: mm



Specifications

IPC425-E230-N	
Camera	IPC425-E230-N
Image Sensor	1/3" progressive scan CMOS
Pixels	2.0 Megapixel
Min. Illumination	Color: 0.003lux @ (F1.6, AGC ON) B/W: 0.0003lux @ (F1.6, AGC ON); 0lux with IR
Shutter Speed	1 ~ 1/30,000s
Day / Night	Auto (ICR) / Color / B/W
Wide Dynamic Range	Ultra WDR, 120dB
S/N Ratio	> 55dB
White Balance	Auto / Manual
Gain Control	Auto / Manual
Backlight Compensation	Off / WDR / BLC / HLC
Lens	
Focal Length	4.5 ~ 135mm, 30x
Zoom Speed	Approx 3s (Optical)
Angle of View	67.8° ~ 2.77° (Wide~Tele)
Min. Object Distance	300 ~ 1500mm (Wide~Tele)
Max. Aperture Ratio	F1.6 (Wide) / F4.4 (Tele)
Focus Control	Auto / Manual / Semi-Automatic
Infrared	
IR LED	12pcs IR LED Array
IR Distance	180 ~ 220m
IR Intensity	Automatically adjust according to zoom ratio
Pan and Tilt	
Pan / Tilt Range	360° Endless / -15° ~ 90° (Auto Flip)
Pan / Tilt Speed	Pan manual speed: 0.1° ~ 200°/s; Pan preset speed: 220°/s Tilt manual speed: 0.1° ~ 150°/s; Tilt preset speed: 200°/s
Proportional Zoom	Pan / Tilt speed can be adjusted automatically according to zoom multiples
Preset	256
Patrol	8 Patrols scheme, up to 32 presets per patrol
Pattern Scan	4 Scan paths, each path can record 10 minutes of operation path
Power-off Memory	Power-off memory / Power-on recovery
Auto Guard	Path / Preset / Mixed / Pan scan / Tilt scan / Frame scan / Random scan / Panorama scan
PT Limit	Manual / Scan / Pan
3D Positioning	PTZ control with mouse click and drag
Electronic compass	Built-in O-sensor
Wiper	Supported
Video	
Compression	H.265 / H.264 / MJPEG
Image Resolution	Main stream: 1080p Secondary stream: D1
Frame Rate	Main stream: 1080p@60fps Secondary stream: D1@30fps
Bitrate	32kbps ~ 16Mbps
Bitrate Control	VBR / CBR
Multi-stream	Supported
Caption	Date and time / Alarm / Direction / Customized
Privacy Masking	Up to 4 zones
Motion Detection	Up to 4 zones
Video Freeze	Supported
ROI	Supported
Digital Noise Reduction	3D noise reduction
Digital Defog	Supported
Image Flip	Flip / Mirror
Audio	
Compression	G.711a / G.711u / ADPCM / G.722 / AAC-LC / G.722.1c / G.726
Bitrate	32kbps ~ 64kbps
Audio Function	Bi-directional audio / AEC / Mixed audio recording / Dumb / Mute
Network	
Network Protocols	TCP/IP, UDP, HTTP, DHCP, DNS/DDNS, RTP/RTCP, RTSP, PPPoE, FTP, VSIP, UPnP, 802.1x, NAT, QoS, SMTP, IPv4, IPv6 (optional)
User Interface	IPC Control (IE, Firefox, Chrome)
Max. User Access	Max. 10 Users (Includes 2 Internal)
Application Programming	ONVIF (Profile S, Profile G), GB/T 28181-2011, API, CGI
Automatic Network Replenishment (ANR)	Supported
Alarm	
Alarm Triggers	Alarm input / Network disconnect / Disk full / Disk error
Intelligent	Motion detection / Tampering / Guard line / Enter guard area / Exit guard area / Object left / Object removal / Gathering / Audio surge
Alarm Events	Alarm report / Recording / Text overlay / Snapshot / External output / Email notice / Acoustic alarm
Interfaces	
Ethernet	10/100M, RJ45 interface
Audio In / Out	1 x Line in / 1 x Line out
Control	1 x RS485
Alarm In / Out	4 x Input / 2 x Output
Video Out	1 x BNC, 1.0V [p-p] / 75Ω
Memory Slot	SD card slot, supports up to 128GB
Environmental	
Operating Temperature	-40°C ~ 70°C / -40°F ~ 158°F
Operating Humidity	10% ~ 95%
Protection Level	IP66, TVS 6000V lightning protection, surge protection and voltage transient protection
Electrical	
Power	24V AC / 3A (Power adapter included)
Power Consumption	Max. 45W (IR on)
Mechanical	
Weight	8 kg / 17.6lb (Gross Weight)
Dimensions	Φ214x 379mm / Φ8.43" x 14.92"

IPC425-E230-NL

2.0MP HD 30x Network Laser Speed Dome Camera



Features

Excellent Image Quality

- 2.0 Megapixel 1/3" progressive scan CMOS sensor
- High definition and smooth picture, 1080p@60fps
- H.265 video codec, saves up to 50% bandwidth and storage
- Ultra low illumination, 0.003lux with color picture
- 120dB Ultra WDR
- Laser automatically adjusts
- HLC / 3D noise reduction

Intelligent Functions

- Motion detection / Tampering / Guard line / Enter guard area / Exit guard area / Object left / Object removal / Gathering / Audio surge

Long Operation Lifespan

- Industrial components, withstands operation temperatures of -40°C ~ 70°C
- IP66, TVS 6000V lightning protection, surge protection and voltage transient protection

Large Scale

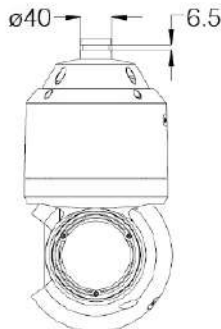
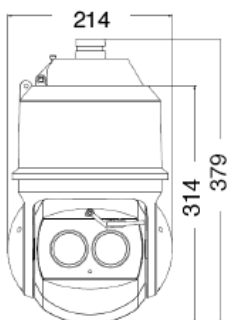
- 30x optical zoom
- Laser distance up to 500m

Abundant Functions and Features

- SD card slot, supports Automatic Network Replenishment (ANR)
- Up to 3 video streams
- Bi-directional audio / alarm in and out / video out / RS485
- Built-in O-sensor
- Wiper

Dimensions

Units: mm



Specifications

IPC425-E230-NL	
Camera	
Image Sensor	1/3" progressive scan CMOS
Pixels	2.0 Megapixel
Min. Illumination	Color: 0.003lux @ (F1.6, AGC ON) B/W: 0.0003lux @ (F1.6, AGC ON); 0lux with IR
Shutter Speed	1 ~ 1/30,000s
Day / Night	Auto (ICR) / Color / B/W
Wide Dynamic Range	Ultra WDR, 120dB
S/N Ratio	>55dB
White Balance	Auto / Manual
Gain Control	Auto / Manual
Backlight Compensation	Off / WDR / BLC / HLC
Lens	
Focal Length	4.5 ~ 135mm, 30x
Zoom Speed	Approx 3s (Optical)
Angle of View	67.8° ~ 2.77° (Wide~Tele)
Min. Object Distance	300 ~ 1500mm (Wide~Tele)
Max. Aperture Ratio	F1.6 (Wide) / F4.4 (Tele)
Focus Control	Auto / Manual / Semi-Automatic
Laser	
Laser Distance	300 ~ 500m
Laser Intensity	Automatically adjust according to zoom ratio
Pan and Tilt	
Pan / Tilt Range	360° Endless / -15° ~ 90° (Auto Flip)
Pan / Tilt Speed	Pan manual speed: 0.1° ~ 200°/s; Pan preset speed: 220°/s Tilt manual speed: 0.1° ~ 150°/s; Tilt preset speed: 200°/s
Proportional Zoom	Pan / Tilt speed can be adjusted automatically according to zoom multiples
Preset	256
Patrol	8 Patrols scheme, up to 32 presets per patrol
Pattern Scan	4 Scan paths, each path can record 10 minutes of operation path
Power-off Memory	Power-off memory / Power-on recovery
Auto Guard	Path / Preset / Mixed / Pan scan / Tilt scan / Frame scan / Random scan / Panorama scan
PT Limit	Manual / Scan / Pan
3D Positioning	PTZ control with mouse click and drag
Electronic compass	Built-in O-sensor
Wiper	Supported
Video	
Compression	H.265 / H.264 / MJPEG
Image Resolution	Main stream: 1080p Secondary stream: D1
Frame Rate	Main stream: 1080p@60fps Secondary stream: D1@30fps
Bitrate	32kbps ~ 16Mbps
Bitrate Control	VBR / CBR
Multi-stream	Supported
Caption	Date and time / Alarm / Direction / Customized
Privacy Masking	Up to 4 zones
Motion Detection	Up to 4 zones
Video Freeze	Supported
ROI	Supported
Digital Noise Reduction	3D noise reduction
Digital Defog	Supported
Image Flip	Flip / Mirror
Audio	
Compression	G.711a / G.711u / ADPCM / G.722 / AAC-LC / G.722.1c / G.726
Bitrate	32kbps ~ 64kbps
Audio Function	Bi-directional audio / AEC / Mixed audio recording / Dumb / Mute
Network	
Network Protocols	TCP/IP, UDP, HTTP, DHCP, DNS/DDNS, RTP/RTCP, RTSP, PPPoE, FTP, VSIP, UPnP, 802.1x, NAT, QoS, SMTP, IPv4, IPv6 (optional)
User Interface	IPC Control (IE, Firefox, Chrome)
Max. User Access	Max. 10 Users (includes 2 internal)
Application Programming	ONVIF (Profile S, Profile G), GB/T 28181-2011, API, CGI
Automatic Network Replenishment (ANR)	Supported
Alarm	
Alarm Triggers	Alarm input / Network disconnect / Disk full / Disk error
Intelligent	Motion detection / Tampering / Guard line / Enter guard area / Exit guard area / Object left / Object removal / Gathering / Audio surge
Alarm Events	Alarm report / Recording / Text overlay / Snapshot / External output / Email notice / Acoustic alarm
Interfaces	
Ethernet	10/100M, RJ45 interface
Audio In / Out	1 x Line in / 1 x Line out
Control	1 x RS485
Alarm In / Out	4 x Input / 2 x Output
Video Out	1 x BNC, 1.0V [p-p] / 75Ω
Memory Slot	SD card slot, supports up to 128GB
Environmental	
Operating Temperature	-40°C ~ 70°C / -40°F ~ 158°F
Operating Humidity	10% ~ 95%
Protection Level	IP66, TVS 6000V lightning protection, surge protection and voltage transient protection
Electrical	
Power	24V AC / 3A (Power adapter included)
Power Consumption	Max. 45W (Laser on)
Mechanical	
Weight	8 kg / 17.6lb (Gross Weight)
Dimensions	Φ214x 379mm / Φ8.43" x 14.92"

IPC425-F120-N

2.0MP Starlight & Ultra WDR HD 20x IR Speed Dome Camera



Features

Excellent Image Quality

- 2.0 Megapixel 1/2.8" progressive scan CMOS sensor
- High definition and smooth picture, 1080p@30fps
- H.265 video codec, saves up to 50% bandwidth and storage
- Ultra low illumination, 0.003lux with color picture
- 120dB Ultra WDR
- IR automatically adjusts
- HLC / 3D noise reduction

Intelligent Functions

- Motion detection / Tampering / Guard line / Enter guard area / Exit guard area

Long Operation Lifespan

- Industrial components, withstands operation temperatures of -40°C ~ 70°C
- IP66, TVS 6000V lightning protection, surge protection and voltage transient protection

Large Scale

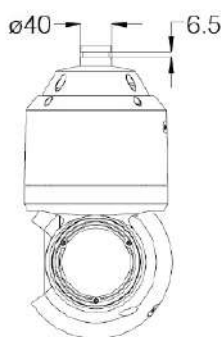
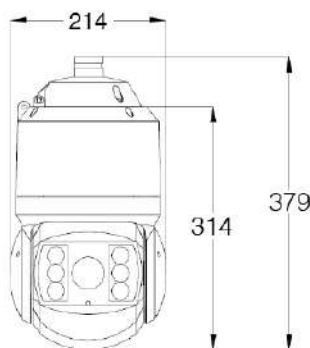
- 20x optical zoom
- IR distance up to 180m

Abundant Functions and Features

- SD card slot, supports Automatic Network Replenishment (ANR)
- Up to 3 video streams
- Bi-directional audio / alarm in&out
- Built-in O-sensor

Dimensions

Units: mm

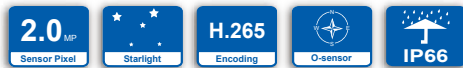


Specifications

IPC425-F120-N	
Camera	IPC425-F120-N
Image Sensor	1/2.8" progressive scan CMOS
Pixels	2.0 Megapixel
Min. Illumination	Color: 0.003lux @ (F1.6, AGC ON) B/W: 0.0003lux @ (F1.6, AGC ON); 0lux with IR
Shutter Speed	1 ~ 1/30,000s
Day / Night	Auto (ICR) / Color / B/W
Wide Dynamic Range	Digital WDR
S/N Ratio	>=58dB
White Balance	Auto / Manual
Gain Control	Auto / Manual
Backlight Compensation	Off / WDR / BLC / HLC
Lens	
Focal Length	4.7 ~ 94mm, 20x
Zoom Speed	Approx 3s (Optical)
Angle of View	61° ~ 3.64° (Wide~Tele)
Min. Object Distance	300 ~ 1500mm (Wide~Tele)
Max. Aperture Ratio	F1.5 (Wide) / F3.0 (Tele)
Focus Control	Auto / Manual / Semi-Automatic
Infrared	
IR LED	6pcs IR LED Array
IR Distance	120 ~ 180m
IR Intensity	Automatically adjust according to zoom ratio
Pan and Tilt	
Pan / Tilt Range	360° Endless / -15° ~ 90° (Auto Flip)
Pan / Tilt Speed	Pan manual speed: 0.1° ~ 200°/s; Pan preset speed: 220°/s Tilt manual speed: 0.1° ~ 150°/s; Tilt preset speed: 200°/s
Proportional Zoom	Pan / Tilt speed can be adjusted automatically according to zoom multiples
Preset	256
Patrol	8 Patrols scheme, up to 32 presets per patrol
Pattern Scan	4 Scan paths, each path can record 10 minutes of operation path
Power-off Memory	Power-off memory / Power-on recovery
Auto Guard	Path / Preset / Mixed / Pan scan / Tilt scan / Frame scan / Random scan / Panorama scan
PT Limit	Manual / Scan / Pan
3D Positioning	PTZ control with mouse click and drag
Electronic compass	Built-in O-sensor
Video	
Compression	H.265 / H.264 / MJPEG
Image Resolution	Main stream: 1080p Secondary stream: D1
Frame Rate	Main stream: 1080p@30fps Secondary stream: D1@30fps
Bitrate	32kbps ~ 16Mbps
Bitrate Control	VBR / CBR
Multi-stream	Supported
Caption	Date and time / Alarm / Direction / Customized
Privacy Masking	Up to 4 zones
Motion Detection	Up to 4 zones
Video Freeze	Supported
ROI	Supported
Digital Noise Reduction	3D noise reduction
Digital Defog	Supported
Image Flip	Flip / Mirror
Audio	
Compression	G.711a / G.711u / ADPCM / G.722 / AAC-LC / G.722.1c / G.726
Bitrate	32kbps ~ 64kbps
Audio Function	Bi-directional audio / AEC / Mixed audio recording / Dumb / Mute
Network	
Network Protocols	TCP/IP, UDP, HTTP, DHCP, DNS/DDNS, RTP/RTCP, RTSP, PPPoE, FTP, VSIP, UPnP, 802.1x, NAT, QoS, SMTP, IPv4, IPv6 (optional)
User Interface	IPC Control (IE, Firefox, Chrome)
Max. User Access	Max. 10 Users (includes 2 internal)
Application Programming	ONVIF (Profile S, Profile G), GB/T 28181-2011, API, CGI
Automatic Network Replenishment (ANR)	Supported
Alarm	
Alarm Triggers	Alarm input / Network disconnect / Disk full / Disk error
Intelligent	Motion detection / Tampering / Guard line / Enter guard area / Exit guard area
Alarm Events	Alarm report / Recording / Text overlay / Snapshot / External output / Email notice / Acoustic alarm
Interfaces	
Ethernet	10/100M, RJ45 interface
Audio In / Out	1 x Line in / 1 x Line out
Alarm In / Out	2 x Input / 1 x Output
Memory Slot	SD card slot, supports up to 128GB
Environmental	
Operating Temperature	-40°C ~ 70°C / -40°F ~ 158°F
Operating Humidity	10% ~ 95%
Protection Level	IP66, TVS 6000V lightning protection, surge protection and voltage transient protection
Electrical	
Power	24V AC / 3A (Power adapter included)
Power Consumption	Max. 45W (IR on)
Mechanical	
Weight	8 kg / 17.6lb (Gross Weight)
Dimensions	Φ214x 379mm / Φ8.43" x 14.92"

IPC425-F223-N

2.0MP Starlight & Ultra WDR HD 23x IR Speed Dome Camera



Features

Excellent Image Quality

- 2.0 Megapixel 1/1.9" progressive scan CMOS sensor
- High definition and smooth picture, 1080p@60fps
- H.265 video codec, saves up to 50% bandwidth and storage
- Ultra low illumination, 0.001lux with color picture
- 120dB Ultra WDR
- IR automatically adjusts
- HLC / 3D noise reduction

Intelligent Functions

- Motion detection / Tampering / Guard line / Enter guard area / Exit guard area / Object left / Object removal / Gathering / Audio surge

Long Operation Lifespan

- Industrial components, withstands operation temperatures of -40°C ~ 70°C
- IP66, TVS 6000V lightning protection, surge protection and voltage transient protection

Large Scale

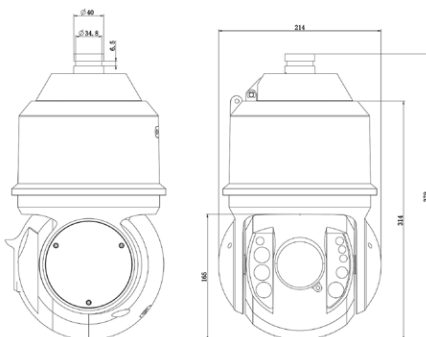
- 23x optical zoom
- IR distance up to 220m

Abundant Functions and Features

- SD card slot, supports Automatic Network Replenishment (ANR)
- Up to 3 video streams
- Bi-directional audio / alarm in and out / video out / RS485
- Built-in O-sensor

Dimensions

Units: mm

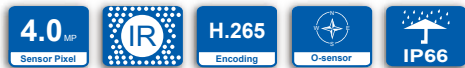


Specifications

IPC425-F223-N	
Camera	IPC425-F223-N
Image Sensor	1/1.9" progressive scan CMOS
Pixels	2.0 Megapixel
Min. Illumination	Color: 0.001lux @ (F1.5, AGC ON) B/W: 0.0001lux @ (F1.5, AGC ON); 0lux with IR
Shutter Speed	1 ~ 1/30,000s
Day / Night	Auto (ICR) / color / B/W
Wide Dynamic Range	Ultra WDR, 120dB
S/N Ratio	>=58dB
White Balance	Auto / Manual
Gain Control	Auto / Manual
Backlight Compensation	Off / WDR / BLC / HLC
Lens	
Focal Length	6 ~ 138mm, 23x optical
Zoom Speed	Approx 3s (Optical)
Angle of View	70° ~ 3.76° (Wide~Tele)
Min. Object Distance	300 ~ 1500mm (Wide~Tele)
Max. Aperture Ratio	F1.5 (Wide) / F3.4 (Tele)
Focus Control	Auto / Manual / Semi-Automatic
Infrared	
IR LED	9pcs IR LED Array
IR Distance	180 ~ 220m
IR Intensity	Automatically adjust according to zoom ratio
Pan and Tilt	
Pan / Tilt Range	360° Endless / -15° ~ 90° (Auto Flip)
Pan / Tilt Speed	Pan manual speed: 0.1° ~ 200°/s; Pan preset speed: 220°/s Tilt manual speed: 0.1° ~ 150°/s; Tilt preset speed: 200°/s
Proportional Zoom	Pan / Tilt speed can be adjusted automatically according to zoom multiples
Pre-set	256
Patrol	8 Patrols scheme, up to 32 presets per patrol
Pattern Scan	4 Scan paths, each path can record 10 minutes of operation path
Power-off Memory	Power-off memory / Power-on recovery
Auto Guard	Path / Preset / Mixed / Pan scan / Tilt scan / Frame scan / Random scan / Panorama scan
PT Limit	Manual / Scan / Pan
3D Positioning	PTZ control with mouse click and drag
Electronic compass	Built-in O-sensor
Video	
Compression	H.265 / H.264 / MJPEG
Image Resolution	Main stream: 1080p Secondary stream: D1
Frame Rate	Main stream: 1080p@60fps Secondary stream: D1@30fps
Bitrate	32kbps ~ 16Mbps
Bitrate Control	VBR / CBR
Multi-stream	Supported
Caption	Date and time / Alarm / Direction / Customized
Privacy Masking	Up to 4 zones
Motion Detection	Up to 4 zones
Video Freeze	Supported
ROI	Supported
Digital Noise Reduction	3D noise reduction
Digital Defog	Supported
Image Flip	Flip / Mirror
Audio	
Compression	G.711a / G.711u / ADPCM / G.722 / AAC-LC / G.722.1c / G.726
Bitrate	32kbps ~ 64kbps
Audio Function	Bi-directional audio / AEC / Mixed audio recording / Dumb / Mute
Network	
Network Protocols	TCP/IP, UDP, HTTP, DHCP, DNS/DDNS, RTP/RTCP, RTSP, PPPoE, FTP, VSIP, UPnP, 802.1x, NAT, QoS, SMTP, IPv4, IPv6 (optional)
User Interface	IPC Control (IE, Firefox, Chrome)
Max. User Access	Max. 10 Users (includes 2 internal)
Application Programming	ONVIF (Profile S, Profile G), GB/T 28181-2011, API, CGI
Automatic Network Replenishment (ANR)	Supported
Alarm	
Alarm Triggers	Alarm input / Network disconnect / Disk full / Disk error
Intelligent	Motion detection / Tampering / Guard line / Enter guard area / Exit guard area / Object left / Object removal / Gathering / Audio surge
Alarm Events	Alarm report / Recording / Text overlay / Snapshot / External output / Email notice / Acoustic alarm
Interfaces	
Ethernet	10/100M, RJ45 interface
Audio In / Out	1 x Line in / 1 x Line out
Control	1 x RS485
Alarm In / Out	4 x Input / 2 x Output
Video Out	1 x BNC, 1.0V [p-p] / 75Ω
Memory Slot	SD card slot, supports up to 128GB
Environmental	
Operating Temperature	-40°C ~ 70°C / -40°F ~ 158°F
Operating Humidity	10% ~ 95%
Protection Level	IP66, TVS 6000V lightning protection, surge protection and voltage transient protection
Electrical	
Power	24V AC / 3A (Power adapter included)
Power Consumption	Max. 45W (IR on)
Mechanical	
Weight	8 kg / 17.6lb (Gross Weight)
Dimensions	Φ214x 379mm / Φ8.43" x 14.92"

IPC445-H120-N

4.0MP HD 20x Speed Dome Camera



Features

Excellent Image Quality

- 4.0 Megapixel 1/2.8" progressive scan CMOS sensor
- High definition and smooth picture, 2592 x 1520@20fps, 2560 x 1440@25fps
- H.265 video codec, saves up to 50% bandwidth and storage
- Low illumination, 0.02lux with color picture
- IR automatically adjusts
- WDR / 3D noise reduction / HLC / BLC

Intelligent Functions

- Motion detection / Tampering / Guard line / Enter guard area / Exit guard area

Long Operation Lifespan

- Industrial components, withstands operation temperatures of -40°C ~ 70°C
- IP66, TVS 6000V lightning protection, surge protection and voltage transient protection

Large Scale

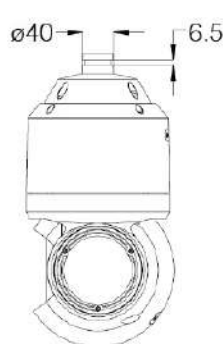
- 20x optical zoom
- IR distance up to 180m

Abundant Functions and Features

- SD card slot, supports Automatic Network Replenishment (ANR)
- Up to 3 video streams
- Bi-directional audio / alarm in and out
- Built-in O-sensor

Dimensions

Units: mm



Specifications

IPC445-H120-N	
Camera	IPC445-H120-N
Image Sensor	1/2.8" progressive scan CMOS
Pixels	4.0 Megapixel
Min. Illumination	Color: 0.02lux @ (F1.5, AGC ON) B/W: 0.002lux @ (F1.5, AGC ON); 0lux with IR
Shutter Speed	1 ~ 1/30,000s
Day / Night	Auto (ICR) / Color / B/W
Wide Dynamic Range	Digital WDR
S/N Ratio	> 55dB
White Balance	Auto / Manual
Gain Control	Auto / Manual
Backlight Compensation	Off / WDR / BLC / HLC
Lens	
Focal Length	4.7 ~ 94mm, 20x
Zoom Speed	Approx 3s (Optical)
Angle of View	61° ~ 3.64° (Wide~Tele)
Min. Object Distance	300 ~ 1500mm (Wide~Tele)
Max. Aperture Ratio	F1.5 (Wide) / F3.0 (Tele)
Focus Control	Auto / Manual / Semi-Automatic
Infrared	
IR LED	6 pcs IR LED Array
IR Distance	120 ~ 180m
IR Intensity	Automatically adjust according to zoom ratio
Pan and Tilt	
Pan / Tilt Range	360° Endless / -15° ~ 90° (Auto Flip)
Pan / Tilt Speed	Pan manual speed: 0.1° ~ 200°/s; Pan preset speed: 220°/s Tilt manual speed: 0.1° ~ 150°/s; Tilt preset speed: 200°/s
Proportional Zoom	Pan / Tilt speed can be adjusted automatically according to zoom multiples
Preset	256
Patrol	8 Patrols scheme, up to 32 presets per patrol
Pattern Scan	4 Scan paths, each path can record 10 minutes of operation path
Power-off Memory	Power-off memory / Power-on recovery
Auto Guard	Path / Preset / Mixed / Pan scan / Tilt scan / Frame scan / Random scan / Panorama scan
PT Limit	Manual / Scan / Pan
3D Positioning	PTZ control with mouse click and drag
Electronic compass	Built-in O-sensor
Video	
Compression	H.265 / H.264 / MJPEG
Image Resolution	Main stream: 2592 x 1520 Secondary stream: D1
Frame Rate	Main stream: 2592 x 1520@20fps, 2560 x 1440@25fps, 1080p@30fps Secondary stream: D1@30fps
Bitrate	32kbps ~ 16Mbps
Bitrate Control	VBR / CBR
Multi-stream	Supported
Caption	Date and time / Alarm / Direction / Customized
Privacy Masking	Up to 4 zones
Motion Detection	Up to 4 zones
Video Freeze	Supported
ROI	Supported
Digital Noise Reduction	3D noise reduction
Digital Defog	Supported
Image Flip	Flip / Mirror
Audio	
Compression	G.711a / G.711u / ADPCM / G.722 / AAC-LC / G.722.1c / G.726
Bitrate	32kbps ~ 64kbps
Audio Function	Bi-directional audio / AEC / Mixed audio recording / Dumb / Mute
Network	
Network Protocols	TCP/IP, UDP, HTTP, DHCP, DNS/DDNS, RTP/RTCP, RTSP, PPPoE, FTP, VSIP, UPnP, 802.1x, NAT, QoS, SMTP, IPv4, IPv6 (optional)
User Interface	IPC Control (IE, Firefox, Chrome)
Max. User Access	Max. 10 Users (includes 2 internal)
Application Programming	ONVIF (Profile S, Profile G), GB/T 28181-2011, API, CGI
Automatic Network Replenishment (ANR)	Supported
Alarm	
Alarm Triggers	Alarm input / Network disconnect / Disk full / Disk error
Intelligent	Motion detection / Tampering / Guard line / Enter guard area / Exit guard area
Alarm Events	Alarm report / Recording / Text overlay / Snapshot / External output / Email notice / Acoustic alarm
Interfaces	
Ethernet	10/100M, RJ45 interface
Audio In / Out	1 x Line in / 1 x Line out
Alarm In / Out	2 x Input / 1 x Output
Memory Slot	SD card slot, supports up to 128GB
Environmental	
Operating Temperature	-40°C ~ 70°C / -40°F ~ 158°F
Operating Humidity	10% ~ 95%
Protection Level	IP66, TVS 6000V lightning protection, surge protection and voltage transient protection
Electrical	
Power	24V AC / 3A (Power adapter included)
Power Consumption	Max. 45W (IR on)
Mechanical	
Weight	8 kg / 17.6lb (Gross Weight)
Dimensions	Φ214x 379mm / Φ8.43" x 14.92"

IPC521-F233-NL

2.0MP HD 33x Network Laser PTZ Camera



Features

Excellent Image Quality

- 2.0 Megapixel 1/1.9" Progressive Scan CMOS Sensor
- High definition and smooth picture, 1080p@60fps
- H.265 video codec, saves up to 50% bandwidth and storage
- Low illumination, 0.001lux with color picture
- 120dB Ultra WDR
- Laser automatically adjusts
- HLC / 3D noise reduction

Long Operation Lifespan

- Industrial components, withstands operation temperatures of -40°C ~ 60°C
- IP66, TVS 6000V lightning protection, surge protection and voltage transient protection
- More than 30,000 hours operational lifespan of the laser illuminator

Large Scale

- 60x optical zoom (-F160-NL3, -F260-NL5)
- Barlow lens supported (-F160-NL3, -F260-NL5)
- Long range night vision up to 5Km (-F260-NL5)

Abundant Functions and Features

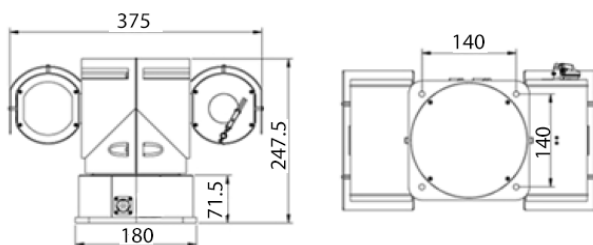
- Strong PT structure has smooth movements even with a 100kg carry-on load
- Optical defog
- Built-in O-sensor
- AR and AF housing glass
- Aviation connector

Specifications

IPC521-F233-NL	
Camera	IPC521-F233-NL
Image Sensor	1/2.8" Progressive Scan CMOS
Pixels	2.0 Megapixel
Min. Illumination	Color: 0.003Lux @ (F1.6, AGC ON) B/W: 0.0003Lux @ (F1.6, AGC ON); 0Lux with IR
Shutter Speed	1 ~ 1/30,000S
Day / Night	Auto (ICR) / Color / B/W
Wide Dynamic Range	Ultra WDR, 120dB
S/N Ratio	>55dB
White Balance	Auto / Manual
Gain Control	Auto / Manual
Backlight Compensation	Off / WDR / BLC / HLC
Lens	
Focal Length	4.5 ~ 148.5mm, 33x optical
Zoom Speed	Approx 3s (Optical)
Angle of View	67.8° ~ 2.34° (Wide~Tele)
Min. Object Distance	300 ~ 1500mm (Wide~Tele)
Max. Aperture Ratio	F1.6 (Wide) / F4.4 (Tele)
Focus Control	Auto / Manual / Semi-Automatic
Laser	
Laser Distance	700 ~ 1000m
Laser Intensity	Automatically adjust according to zoom ratio
Pan and Tilt	
Pan / Tilt Range	360° Endless / - 85° ~ 85° (Auto Flip)
Pan / Tilt Speed	Pan manual speed: 0.1° ~ 80°/s; Pan preset speed: 120°/s Tilt manual speed: 0.1° ~ 60°/s; Tilt preset speed: 100°/s
Proportional Zoom	Pan / Tilt speed can be adjusted automatically according to zoom multiples
Preset	256
Patrol	8 Patrols scheme, up to 32 presets per patrol
Pattern Scan	4 Scan paths, each path can record 10 minutes of operation path
Power-off Memory	Power-off memory / Power-on recovery
Auto Guard	Path / Preset / Pan scan
PT Limit	Manual / Scan / Pan
3D Positioning	PTZ control with mouse click and drag
Electronic compass	Built-in O-sensor
Wiper	Supported
Video	
Compression Format	H.265 / H.264 / MJPEG
Image Resolution	Main stream: 1080p Secondary stream: D1
Frame Rate	Main stream: 1080p@60fps Secondary stream: D1@30fps
Bitrate	32kbps ~ 16Mbps
Bitrate Control	VBR / CBR
Multi stream	Supported
Caption	Date and time / Alarm / Direction / Customized
Privacy Masking	Up to 4 zones
Motion Detection	Up to 4 zones
Video Freeze	Supported
ROI	Supported
Digital Noise Reduction	3D noise reduction
Digital Defog	Supported
Image Flip	Flip / Mirror
Audio	
Compression	G.711a / G.711u / ADPCM / G.722 / AAC-LC / G.722.1c / G.726
Bitrate	32kbps ~ 64kbps
Audio Function	Bi-directional audio / AEC / Mixed audio recording / Dumb / Mute
Network	
Network Protocols	TCP/IP, UDP, HTTP, DHCP, DNS/DDNS, RTP/RTCP, RTSP, PPPoE, FTP, VSIP, UPnP, 802.1x, NAT, QoS, SMTP, IPv4, IPv6 (optional)
User Interface	IPC Control (IE, Firefox, Chrome)
Max. User Access	Max. 10 Users (include 2 internal)
Application Programming	ONVIF (Profile S, Profile G), GB/T 28181-2011, API, CGI
Automatic Network Replenishment (ANR)	Supported
Alarm	
Alarm Triggers	Alarm input / Network disconnect / Disk full / Disk error
Intelligent	Motion detection / Tampering / Guard line / Enter guard area / Exit guard area / Object left / Object removal / Gathering / Audio surge
Alarm Events	Alarm report / Recording / Text overlay / Snapshot / External output / Email notice / Acoustic alarm
Interfaces	
Ethernet	10/100M, RJ45 interface
Audio In / Out	1 x Line in / 1 x Line out
Alarm In / Out	2 x Input / 1 x Output
Video Out	1 x BNC, 1.0V [p-p] / 75Ω
Memory Slot	SD card slot, supports up to 128GB
Environmental	
Operating Temperature	-40°C ~ 70°C / -40°F ~ 158°F
Operating Humidity	10% ~ 95%
Protection Level	IP66, TVS 6000V lightning protection, surge protection and voltage transient protection
Electrical	
Power	24V AC / 3A (Power adapter included)
Power Consumption	Max. 70W (Laser on)
Mechanical	
Weight	7kg / 15.44lb (Gross Weight)
Dimensions	180mm x 375mm x 247.5mm / 7.09" x 14.77" x 9.75"

Dimensions

Units: mm



IPC525

2.0MP HD Long Range Laser PTZ Camera



Features

Excellent Image Quality

- 2.0 Megapixel 1/1.9" Progressive Scan CMOS Sensor
- High definition and smooth picture, 1080p@60fps
- H.265 video codec, saves up to 50% bandwidth and storage
- Low illumination, 0.001lux with color picture
- 120dB Ultra WDR
- Laser automatically adjusts
- HLC / 3D noise reduction

Long Operation Lifespan

- Industrial components, withstands operation temperatures of -40°C ~ 60°C
- IP66, TVS 6000V lightning protection, surge protection and voltage transient protection
- More than 30,000 hours operational lifespan of the laser illuminator

Large Scale

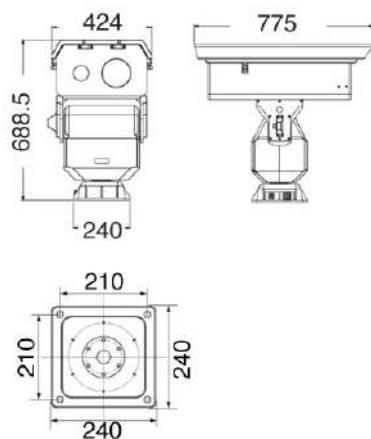
- 60x optical zoom (-F160-NL3, -F260-NL5)
- Barlow lens supported (-F160-NL3, -F260-NL5)
- Long range night vision up to 5Km (-F260-NL5)

Abundant Functions and Features

- Strong PT structure has smooth movements even with a 100kg carry-on load
- Optical defog
- Built-in O-sensor
- AR and AF housing glass
- Aviation connector

Dimensions

Units: mm



Specifications

IPC525	
Camera	IPC525
Image Sensor	1/1.9" Progressive Scan CMOS
Pixels	2.0 Megapixel
Min. Illumination	Color: 0.001Lux @ (F1.2, AGC ON) B/W: 0.0001Lux @ (F1.2, AGC ON); 0Lux with IR
Shutter Speed	1 ~ 1/30,000S
Day / Night	Auto (ICR) / Color / B/W
Wide Dynamic Range	Ultra WDR, 120dB
S/N Ratio	> 57dB
White Balance	Auto / Manual
Gain Control	Auto / Manual
Backlight Compensation	Off / WDR / BLC / HLC
Lens	
Focal Length	-F132-NL2: 15.6 ~ 500mm, 32x optical -F160-NL3: 12.5 ~ 750mm, 60x optical, 2x Barlow lens supported -F260-NL5: 16.7 ~ 1000mm, 60x optical, 2x Barlow lens supported
Zoom Speed	Approx 3 ~ 10s (Optical)
Angle of View	-F132-NL2: 26.73° ~ 0.75° (Wide~Tele) -F160-NL3: 28.71° ~ 0.49° (Wide~Tele) -F260-NL5: 23.01° ~ 0.41° (Wide~Tele)
Min. Object Distance	5000mm (Wide)
Max. Aperture Ratio	F3.5 (Wide) / F16 (Tele)
Focus Control	Auto / Manual / Semi-Automatic
Auto Back Focus	Auto
Optical Defog	Supported
Laser	
Wave Length	808nm
Power Consumption	-F132-NL2: 15W, -F160-NL3: 20W, -F260-NL5: 25W
Laser Distance	-F132-NL2: 2Km, -F160-NL3: 3Km, -F260-NL5: 5Km
Laser Intensity	Automatically adjust according to zoom ratio
Illuminating Angle	0.3° ~ 30° continuous change
Vision	
Day	-F132-NL2: 3Km, -F160-NL3: 5Km, -F260-NL5: 10Km
Night	-F132-NL2: 2Km, -F160-NL3: 3Km, -F260-NL5: 5Km
Pan and Tilt	
Pan / Tilt Range	360° Endless / - 60° ~ 60° (Auto Flip)
Pan manual speed	0.01° ~ 15°/s; Pan preset speed: 15°/s
Tilt manual speed	0.01° ~ 10°/s; Tilt preset speed: 10°/s
Proportional Zoom	Pan / Tilt speed can be adjusted automatically according to zoom multiples
Preset	256
Patrol	8 Patrols scheme, up to 32 presets per patrol
Pattern Scan	4 Scan paths, each path can record 10 minutes of operation path
Power-off Memory	Power-off memory / Power-on recovery
Auto Guard	Path / Preset / Pan scan
PT Limit	Manual / Scan / Pan
3D Positioning	PTZ control with mouse click and drag
Electronic compass	Built-in O-sensor
Location Sensor	GPS
Shield	
Housing Glass	AR & AF glass
Video	
Compression Format	H.265 / H.264 / MJPEG
Image Resolution	Main stream: 1080p Secondary stream: D1
Frame Rate	Main stream: 1080p@60fps Secondary stream: D1@30fps
Bitrate	32kbps ~ 16Mbps
Bitrate Control	VBR / CBR
Multi-stream	Supported
Caption	Date and time / Alarm / Direction / Customized
Privacy Masking	Up to 4 zones
Motion Detection	Up to 4 zones
Video Freeze	Supported
ROI	Supported
Digital Noise Reduction	3D noise reduction
Digital Defog	Supported
Image Flip	Mirror
Audio	
Compression	G.711a / G.711u / ADPCM / G.722 / AAC-LC / G.722.1c / G.726
Bitrate	32kbps ~ 64kbps
Audio Function	Bi-directional audio / AEC / Mixed audio recording / Dumb / Mute
Network	
Network Protocols	TCP/IP, UDP, HTTP, DHCP, DNS/DDNS, RTP/RTCP, RTSP, PPPoE, FTP, VSIP, UPnP, 802.1x, NAT, QoS, SMTP, IPv4, IPv6 (optional)
User Interface	IPC Control (IE, Firefox, Chrome)
Max. User Access	Max. 10 Users (include 2 internal)
Application Programming	ONVIF (Profile S, Profile G), GB/T 28181-2011, API, CGI
Automatic Network	
Replenishment (ANR)	Supported
Alarm	
Alarm Triggers	Network disconnect / Disk full / Disk error
Intelligent	Motion detection / Tampering / Guard line / Enter guard area / Exit guard area / Object left / Object removal / Gathering / Audio surge
Alarm Events	Alarm report / Recording / Text overlay / Snapshot / External output / Email notice / Acoustic alarm
Interfaces	
Ethernet	10/100M, RJ45 interface
Audio In / Out	1 x Line In / 1 x Line out
Alarm	1 x Output
Memory Slot	TF card slot, supports up to 128GB
Environmental	
Operating Temperature	-40°C ~ 60°C / -40°F ~ 140°F
Operating Humidity	10% ~ 95%
Protection Level	IP66, TVS 6000V lightning protection, surge protection and voltage transient protection
Electrical	
Power	24V DC ± 25% (Power adapter included) -F132-NL2: Max. 110W (Laser on) -F160-NL3: Max. 115W (Laser on) -F260-NL5: Max. 120W (Laser on)
Mechanical	
Weight	65kg / 143.3lb (Gross Weight)
Dimensions	775mm x 424mm x 688.5mm / 30.51" x 16.69" x 27.11"

IPC123-Ei7N

Recognitive HD Network Box Camera



Features

Excellent Image Quality

- 2.0 Megapixel 1/1.9" Progressive Scan CMOS Sensor
- High definition and smooth picture, 1080p@25fps
- Ultra low illumination, 0.002Lux with color picture
- WDR / HLC / 3D noise reduction

Recognitive Functions

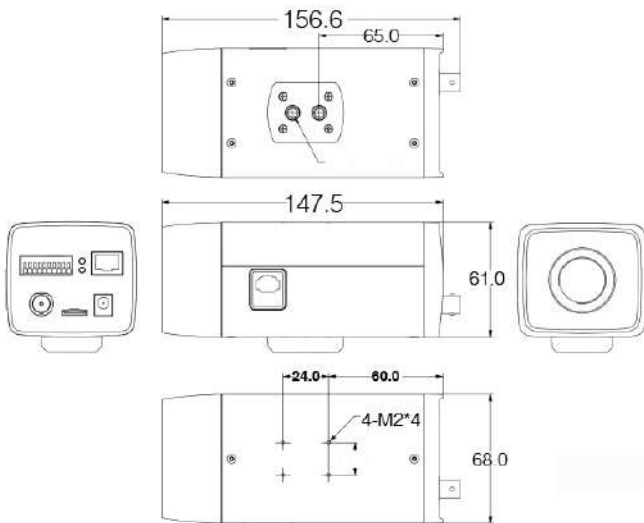
- Up to 50 targets simultaneously
- Target capturing and characters recognizing

Abundant Functions and Features

- TF card slot, supports Automatic Network Replenishment (ANR)
- Up to 4 Multi-stream
- Bi-directional audio / alarm in&out / video out / RS485

Dimensions

Units: mm



Specifications

	IPC123-Ei7N
Camera	
Image Sensor	1/1.9" Progressive Scan CMOS
Pixels	2.0 Megapixel
Min. Illumination	Color: 0.002Lux @ (F1.2, AGC ON) B/W: 0.0002Lux @ (F1.2, AGC ON)
Shutter Speed	1/10 ~ 1/10,000s
Day / Night	Auto (ICR) / Color / B/W
Wide Dynamic Range	Digital WDR
S/N Ratio	>52dB
White Balance	Auto / Manual
Gain Control	Auto / Manual
Backlight Compensation	Off / WDR / BLC / HLC
Lens (not included)	
Mount Type	C / CS
Auto Iris	DC drive / P-Iris
Video	
Compression	H.264
Image Resolution	Main stream: 1080p Secondary stream: D1
Frame Rate	Main stream: 1080p@25fps Secondary stream: D1@25fps
Bitrate	32kbps ~ 16Mbps
Bitrate Control	CBR
Multi-stream	Supported
Caption	Date and time / Alarm / Direction / Customized
Privacy Masking	Up to 4 zones
Motion Detection	Up to 4 zones
Video Freeze	Supported
ROI	Supported
Digital Noise Reduction	3D noise reduction
Digital Defog	Supported
Image Flip	Flip / Mirror
Audio	
Compression	G.711a / G.711u / ADPCM / G.722 / AAC-LC / G.722.1c
Bitrate	32kbps ~ 64kbps
Audio Function	Bi-directional audio / AEC / Mixed audio recording / Dumb / Mute
Network	
Network Protocols	TCP/IP, UDP, HTTP, DHCP, DNS/DDNS, RTP/RTCP, RTSP, PPPoE, FTP, VSIP, UPnP, 802.1x, NAT, QoS, SMTP, IPv4, IPv6 (optional)
User Interface	IPC Control (IE, firefox, Chrome)
Max. User Access	Max. 10 Users (includes 2 internal)
Application Programming	Onvif (Profile S, Profile G), GB/T 28181-2011, API, CGI
Automatic Network Replenishment (ANR)	Supported
Recognitive Functions	
Target Detection	up to 50 moving targets simultaneously
Target Capturing Mode	Automatic
Target Characters	Type / Direction / Color / Speed level / Size level
Alarm	
Alarm Triggers	Alarm input / Network disconnect / Disk full / Disk error
Alarm Events	Alarm report / Recording / Text overlay / Snapshot / External output / Email notice / Acoustic alarm
Interfaces	
Ethernet	10/100M, RJ45 interface
Audio In / Out	1 x Line in / 1 x Line out
Control	1 x RS485
Alarm In / Out	1 x Input / 1 x Output
Video Out	1 x BNC, 1.0V [p-p] / 75Ω
Memory Slot	TF card slot, support up to 128GB
Environmental	
Operating Temperature	-40°C ~ 60°C / -40°F ~ 140°F
Operating Humidity	10% ~ 95%
Electrical	
Power	12V DC ± 10% / PoE (IEEE802.3af)
Power Consumption	Max. 6W
Mechanical	
Weight	0.5kg / 1.1lb (Gross Weight)
Dimensions	147.5 x 68 x 61mm / 5.81" x 2.68" x 2.40"

IPC121-Ei7N

Recognitive HD Network Box Camera



Features

Excellent Image Quality

- 2.0 Megapixel 1/1.9" Progressive Scan CMOS Sensor
- High definition and smooth picture, 1080p@25fps
- Ultra low illumination, 0.002Lux with color picture
- WDR / HLC / 3D noise reduction

Recognitive Functions

- Target capturing and characters recognizing (-X120 only)

Embed Your Own Intelligent Algorithm

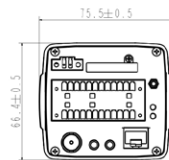
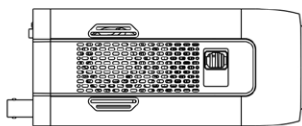
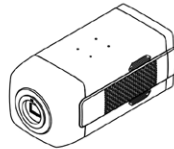
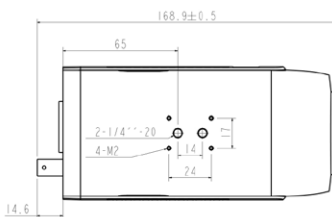
- Intel CPU inside
- Embedded API / PC based API

Abundant Functions and Features

- SD card slot, supports Automatic Network Replenishment (ANR)
- Up to 4 Multi-stream
- Bi-directional audio / alarm in&out / video out / RS485

Dimensions

Units: mm



Specifications

	IPC121-Ei7N
Camera	
Image Sensor	1/1.9" Progressive Scan CMOS
Pixels	2.0 Megapixel
Min. Illumination	Color: 0.002Lux @ (F1.2, AGC ON) B/W: 0.0002Lux @ (F1.2, AGC ON)
Shutter Speed	1/10 ~ 1/10,000s
Day / Night	Auto (ICR) / Color / B/W
Wide Dynamic Range	Digital WDR
S/N Ratio	>50dB
White Balance	Auto / Manual
Gain Control	Auto / Manual
Backlight Compensation	Off / WDR / BLC / HLC
Lens (not included)	
Mount Type	C / CS
Auto Iris	DC drive / P-Iris
Architecture	
CPU	Intel Baytrail-I
Operating system	Embedded Linux
Available resource for developer (-X100)	
CPU	80%
RAM	1400MB
ROM	7GB
Video	
Compression	H.264
Image Resolution	Main stream: 1080p Secondary stream: D1
Frame Rate	Main stream: 1080p@25fps Secondary stream: D1@25fps
Bitrate	32kbps ~ 16Mbps
Bitrate Control	CBR
Multi-stream	Supported
Caption	Date and time / Alarm / Direction / Customized
Privacy Masking	Up to 4 zones
Motion Detection	Up to 4 zones
Video Freeze	Supported
ROI	Supported
Digital Noise Reduction	3D noise reduction
Digital Defog	Supported
Image Flip	Flip / Mirror
Audio	
Compression	G.711a / G.711u / ADPCM / G.722 / AAC-LC / G.722.1c
Bitrate	32kbps ~ 64kbps
Audio Function	Bi-directional audio / AEC / Mixed audio recording / Dumb / Mute
Network	
Network Protocols	TCP/IP, UDP, HTTP, DHCP, DNS/DDNS, RTP/RTCP, RTSP, PPPoE, FTP, VSIP, UPnP, 802.1x, NAT, QoS, SMTP, IPv4, IPv6 (optional)
User Interface	IPC Control (IE, firefox, Chrome)
Max. User Access	Max. 10 Users (includes 2 internal)
Application Programming	Onvif (Profile S, Profile G), GB/T 28181-2011, API, CGI
Automatic Network Replenishment (ANR)	Supported
Recognitive Functions	
Embedded Recognitive Functions	-X100: None -X120: Target Characters (Type / Direction / Color / Speed level / Size level) Embedded: API used to control camera's sensor, video, ISP, network and recognitive functions PC based: API used to integrate with UI or back-end
Alarm	
Alarm Triggers	Alarm input / Network disconnect / Disk full / Disk error
Alarm Events	Alarm report / Recording / Text overlay / Snapshot / External output / Email notice / Acoustic alarm
Interfaces	
Ethernet	10/100M, RJ45 interface
Audio In / Out	1 x Line in / 1 x Line out
Control	1 x RS485, 1 x RS232
Alarm In / Out	1 x Input / 1 x Output
Memory Slot	SD card slot, support up to 128GB
Environmental	
Operating Temperature	-40°C ~ 60°C / -40°F ~ 140°F
Operating Humidity	10% ~ 95%
Electrical	
Power	DC 12V ± 10%
Power Consumption	Max. 21W
Mechanical	
Weight	1.06kg / 2.34lb (Gross Weight)
Dimensions	168.9 x 75.5 x 66.4mm / 6.65" x 2.98" x 2.62"

IPC121-Ei4N

Human Recognitive HD Network Box Camera



Features

Excellent Image Quality

- 2.0 Megapixel 1/1.9" Progressive Scan CMOS Sensor
- High definition and smooth picture, 1080p@25fps
- Ultra low illumination, 0.002Lux with color picture
- WDR / HLC / 3D noise reduction

Recognitive Functions

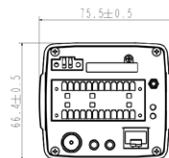
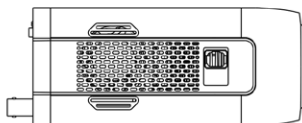
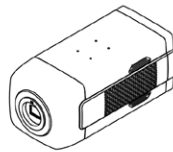
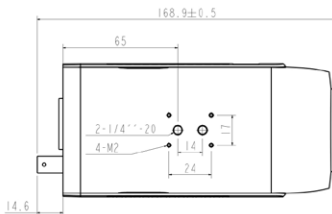
- Up to 16 targets simultaneously
- Target capturing and characters recognizing
- Bi-directional people counting

Abundant Functions and Features

- SD card slot, supports Automatic Network Replenishment (ANR)
- Up to 4 Multi-stream
- Bi-directional audio / alarm in&out / video out / RS485

Dimensions

Units: mm



Specifications

	IPC121-Ei4N
Camera	
Image Sensor	1/1.9" Progressive Scan CMOS
Pixels	2.0 Megapixel
Min. Illumination	Color: 0.002Lux @ (F1.2, AGC ON) B/W: 0.0002Lux @ (F1.2, AGC ON)
Shutter Speed	1/7.5 ~ 1/16,000s
Day / Night	Auto (ICR) / Color / B/W
Wide Dynamic Range	Digital WDR
S/N Ratio	>50dB
White Balance	Auto / Manual
Gain Control	Auto / Manual
Backlight Compensation	Off / WDR / BLC / HLC
Lens (not included)	
Mount Type	C / CS
Auto Iris	DC drive / P-Iris
Video	
Compression	H.264
Image Resolution	Main stream: 1080p Secondary stream: D1
Frame Rate	Main stream: 1080p@25fps Secondary stream: D1@25fps
Bitrate	32kbps ~ 16Mbps
Bitrate Control	CBR
Multi-stream	Supported
Caption	Date and time / Alarm / Direction / Customized
Privacy Masking	Up to 4 zones
Motion Detection	Up to 4 zones
Video Freeze	Supported
ROI	Supported
Digital Noise Reduction	3D noise reduction
Digital Defog	Supported
Image Flip	Flip / Mirror
Audio	
Compression	G.711a / G.711u / ADPCM / G.722 / AAC-LC / G.722.1c
Bitrate	32kbps ~ 64kbps
Audio Function	Bi-directional audio / AEC / Mixed audio recording / Dumb / Mute
Network	
Network Protocols	TCP/IP, UDP, HTTP, DHCP, DNS/DDNS, RTP/RTCP, RTSP, PPoE, FTP, VSIP, UPnP, 802.1x, NAT, QoS, SMTP, IPv4, IPv6 (optional)
User Interface	IPC Control (IE, firefox, Chrome)
Max. User Access	Max. 10 Users (includes 2 internal)
Application Programming	Onvif (Profile S, Profile G), GB/T 28181-2011, API, CGI
Automatic Network Replenishment (ANR)	Supported
Recognitive Functions	
Target Detection	Person, Face up to 16 targets simultaneously
Captured Picture	Person, Face, Full view
Target Characters	Direction / Speed level
People Counting	Bi-directional
Alarm	
Alarm Triggers	Alarm input / Network disconnect / Disk full / Disk error
Alarm Events	Alarm report / Recording / Text overlay / Snapshot / External output / Email notice / Acoustic alarm
Interfaces	
Ethernet	10/100M, RJ45 interface
Audio In / Out	1 x Line in / 1 x Line out
Control	3 x RS485, 1 x RS232
Alarm In / Out	2 x Input / 1 x Output
Video Out	1 x BNC, 1.0V [p-p] / 75Ω
Memory Slot	SD card slot, support up to 128GB
Environmental	
Operating Temperature	-40°C ~ 60°C / -40°F ~ 140°F
Operating Humidity	10% ~ 95%
Electrical	
Power	DC 12V ± 10%
Power Consumption	Max. 15W
Mechanical	
Weight	0.9kg / 1.98lb (Gross Weight)
Dimensions	168.9 x 75.5 x 66.4mm / 6.65" x 2.98" x 2.62"

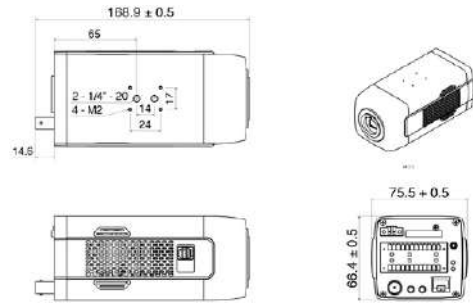
Recognitive Tracking System



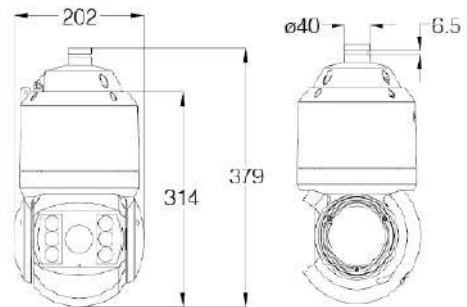
Dimensions

Units: mm

IPC121-BI5N



IPC425-i020-N



Features

- 1 box-type camera for panoramic view mode and to locate targets
- Up to 3 PTZ cameras to track and zoom-in on individual targets
- Camera built-in tracking algorithm
- PTZ track for large open space
- High accuracy multi target tracking
- High security virtual fencing zone
- Up to 60 moving targets
- Up to 10000 M² coverage
- High-speed target switching
- Target capturing and characters recognizing
- SDK support

IPC421-i020-N1



NVR1825-HDA

1 Bay Commercial Network Video Recorder



Features

High-performance

- Up to 4 x 1080p@30fps video decoding capability
- Up to 16 channels and 1080p supported
- Up to 80Mbps incoming bandwidth
- Up to 64Mbps output bandwidth

Small size

- 1.6Kg / 3.52lb
- 350 x 240 x 40mm / 13.78" x 9.45" x 1.57"

Easy to install

- Automatic network organizing
- Built-in DHCP server

High reliability

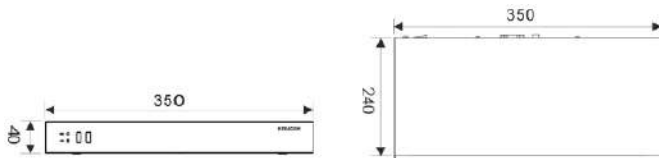
- Embedded Linux
- Low power consumption
- Supports Packet Loss Recovery (PLR)

Abundant functions and features

- HDMI/VGA simultaneously output different content (-16HDA)
- E-Map, TV-Wall supported
- Bi-directional audio, Broadcasting
- NAT, Socks5
- Alarm management
- Free CMS (NVR Station), supports 128 NVR simultaneously
- CMS supports 6 screens simultaneously (4 x Live viewing, 1 x E-Map, 1 x TV-Wall)

Dimensions

Units:mm



Specifications

	NVR1825-4HDA	NVR1825-9HDA	NVR1825-16HDA
Video/Audio Input			
IP Camera Input	4 channel	9 channel	16 channel
Resolution	1080p, UXGA, 960p, 720p, XGA, SVGA, D1, CIF, QCIF		
Compression	H.264		
Protocols	Onvif, RTSP, KEDACOM		
Incoming Bandwidth	20Mbps	45Mbps	80Mbps
Live Viewing			
Local Display	1 x HDMI, 1 x VGA, simultaneously output same content		1 x HDMI, 1 x VGA, simultaneously output different content
Multi Screen Display Local monitor	1, 4	1, 4, 9, 1+4, 1+8	Main / Secondary: 1/1, 4/1, 9/1, 15/1, 16/1 1+4/1, 1+8/1, 1+9/1, 1+15/1, 4/9, 9/4, 9/9
Multi Screen Display Client	up to 4 screen simultaneously: 1, 3, 4, 9, 12, 16, 20, 25, 30, 36, 42, 49, 56, 63, 64 1+5, 1+7, 1+8, 1+9, 1+11, 1+15, 1+16, 1+33, 1+47, 1+48 Live Viewing in E-Map (NVR Station)		
E-Map Function	E-PTZ / Scheme / Polling / TV-Wall (optional with decoder)		
Recording			
Resolution	1080p, UXGA, 960p, 720p, XGA, SVGA, D1, CIF, QCIF		
Mode	Manual / Continuous / Schedule / Event (Pre / Post)		
Event Trigger	Supported		
Tag	Supported		
Search & Playback			
Search Mode	Date and time (Calendar) / Event		
Resolution	1080p, UXGA, 960p, 720p, XGA, SVGA, D1, CIF, QCIF		
Playback (Local Monitor)	1 x 1080p@30fps / 4 x 720p@30fps	1 x 1080p@30fps / 4 x 720p@30fps	4 x 1080p@30fps
Playback (Client)	2 x 1080p@30fps	4 x 1080p@30fps	5 x 1080p@30fps
Synchronize Playback (Local Monitor)	4 x 720p@30fps	4 x 720p@30fps	4 x 1080p@30fps
Synchronize Playback (Client)	2 x 1080p@30fps	4 x 1080p@30fps	4 x 1080p@30fps
Function	Slow forward / Fast forward / Loop / Single frame / E-PTZ		
Storage			
Max. Internal HDDs	1 x 3.5" HDD Max. 6TB (up to 6TB/each)		
Audio			
Compression	G.711a / G.711u / ADPCM / G.722 / G.722.1c / AAC-LC		
Bit rate	32kbps ~ 64kbps		
Audio Function	Bi-directional audio / Dumb / Mute / Broadcasting		
Alarm			
Service Alarm Triggers	Alarm input / Video lost / Motion detection / Tampering / Guard line / Defocus / Sence change / Enter guard area / Exit guard area / Object left / Object removal / Gathering / Audio surge		
System Alarm Triggers	Device disconnected / No disk / Disk error / IP Address conflict / Network disconnected / Low speed / Insufficient recording space / MAC address conflict / Insufficient snapshot space		
Alarm Events	Snapshot / Recording / PTZ preset / Buzzer / Email / Link to Client / Alarm caption / Live view in first window / Link to TV Wall / Link to secondary screen / Full screen viewing		
System			
Operating System	Embedded Linux		
User Management	Admin / User		
Log Management	User login / User operation / Alarm / Backup / Update		
Application Programming	NVR Station SDK		
Network			
Network Protocols	TCP/IP, UDP, HTTP, DHCP, DNS/DDNS, RTP/RTCP, RTSP, PPPoE, FTP, SMTP, VSIP, UPNP, SMT, IPv4, IPv6 (optional)		
Viewer Software	CMS (NVR Station) / Web / iOS app / Android app		
Max. User Access	64 Users		
Output Bandwidth	36Mbps	10 ~ 36Mbps	64Mbps
Function	NAT / Socks5 / Multiple network access / Packet loss recovery / Auto network organizing		
Network Test	Supported		
Interfaces			
Ethernet	1 x 10/100M, RJ45 interface		1 x Gigabite network port, RJ45 interface
Video Out	1 x HDMI (up to 1920 x 1080@60Hz) 1 x VGA (up to 1920 x 1080@60Hz)		
Audio In / Out	1 x RCA Line in / 1 x RCA Line out		
USB	2 x USB 2.0		
Environmental			
Operating Temperature	-10°C ~ 55°C / 14°F ~ 131°F		
Operating Humidity	10% ~ 90%		
Electrical			
Power	12V DC ± 10%		
Power Consumption	Max. 20W (HDD not included)		
Mechanical			
Weight	1.6kg / 3.52lb (HDD not included)		
Dimensions	350 x 240 x 40mm / 13.78" x 9.45" x 1.57"		

NVR1825-HD

2 Bay Commercial Network Video Recorder



Features

High-performance

- Up to 4 x 1080p@30fps / 9 x 720p@30fps video decoding capability
- Up to 32 channels and 1080p supported
- Up to 160Mbps incoming bandwidth
- Up to 110Mbps output bandwidth
- Max. 2 HDDs up to 12TB storage

Small size

- 1.6Kg / 3.52lb
- 350 x 240 x 40mm / 13.78" x 9.45" x 1.57"

Easy to install

- Automatic network organizing
- Built-in DHCP server

High reliability

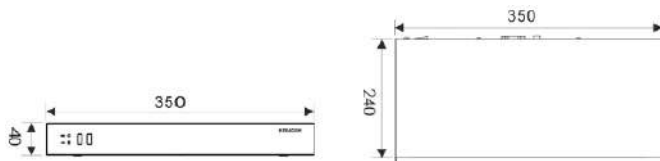
- Embedded Linux
- Low power consumption
- Supports Packet Loss Recovery (PLR)

Abundant functions and features

- HDMI/VGA simultaneously output different content (-16HD, -32HD)
- E-Map, TV-Wall supported
- Bi-directional audio, Broadcasting
- NAT, Socks5
- Alarm management
- Free CMS (NVR Station), supports 128 NVR simultaneously
- CMS supports 6 screens simultaneously (4 x Live viewing, 1 x E-Map, 1 x TV-Wall)

Dimensions

Units:mm



Specifications

	NVR1825-4HD	NVR1825-9HD	NVR1825-16HD	NVR1825-32HD
Video/Audio Input				
IP Camera Input	4 channel	9 channel	16 channel	32 channel
Resolution	1080p, UXGA, 960p, 720p, XGA, SVGA, D1, CIF, QCIF			
Compression	H.264			
Protocols	Onvif, RTSP, KEDACOM			
Incoming Bandwidth	20Mbps	45Mbps	80Mbps	160Mbps
Live Viewing				
Local Display	1 x HDMI, 1 x VGA, simultaneously output same content	1 x HDMI, 1 x VGA, simultaneously output different content	1 x HDMI, 1 x VGA, simultaneously output different content	1 x HDMI, 1 x VGA, simultaneously output different content
Multi Screen Display Local monitor	1, 4	1, 4, 9, 1+4, 1+8	Main / Secondary: 1/1, 4/1, 9/1, 15/1, 16/1	Main / Secondary: 1/1, 4/1, 9/1, 15/1, 16/1, 36/1
Multi Screen Display Client	up to 4 screen simultaneously: 1, 3, 4, 9, 12, 16, 20, 25, 30, 36, 42, 49, 56, 63, 64	1+5, 1+7, 1+8, 1+9, 1+11, 1+15, 1+16, 1+33, 1+47, 1+48	1+4/1, 1+8/1, 1+9/1, 1+15/1, 4/9, 9/4, 9/9	1+4/1, 1+8/1, 1+9/1, 1+15/1, 4/9, 9/4, 9/9
E-Map Function	Live Viewing in E-Map (NVR Station)	E-PTZ / Scheme / Polling / TV-Wall (optional with decoder)		
Recording				
Resolution	1080p, UXGA, 960p, 720p, XGA, SVGA, D1, CIF, QCIF			
Mode	Manual / Continuous / Schedule / Event (Pre / Post)			
Event Trigger	Supported			
Tag	Supported			
Search & Playback				
Search Mode	Date and time (Calendar) / Event			
Resolution	1080p, UXGA, 960p, 720p, XGA, SVGA, D1, CIF, QCIF			
Playback (Local Monitor)	1 x 1080p@30fps / 4 x 720p@30fps	1 x 1080p@30fps / 4 x 720p@30fps	4 x 1080p@30fps / 9 x 720p@30fps	4 x 1080p@30fps / 9 x 720p@30fps
Playback (Client)	2 x 1080p@30fps	4 x 1080p@30fps	5 x 1080p@30fps	5 x 1080p@30fps
Synchronize Playback (Local Monitor)	4 x 720p@30fps	4 x 720p@30fps	4 x 1080p@30fps / 9 x 720p@30fps	4 x 1080p@30fps / 9 x 720p@30fps
Synchronize Playback (Client)	2 x 1080p@30fps	4 x 1080p@30fps	4 x 1080p@30fps	4 x 1080p@30fps
Function	Slow forward / Fast forward / Loop / Single frame / E-PTZ			
Storage				
Max. Internal HDDs	2 x 3.5" HDD			
Function	Max. 12TB (up to 6TB/each)			
Audio				
Compression	G.711a / G.711u / ADPCM / G.722 / G.722.1c / AAC-LC			
Bit rate	32kbps ~ 64kbps			
Audio Function	Bi-directional audio / Dumb / Mute / Broadcasting			
Alarm				
Service Alarm Triggers	Alarm input / Video lost / Motion detection / Tampering / Guard line / Defocus / Sence change / Enter guard area / Exit guard area / Object left / Object removal / Gathering / Audio surge			
System Alarm Triggers	Device disconnected / No disk / Disk error / IP Address conflict / Network disconnected / Low speed / Insufficient recording space / MAC address conflict / Insufficient snapshot space			
Alarm Events	Snapshot / Recording / PTZ preset / Buzzer / Email / Link to Client / Alarm caption / Live view in first window / Link to TV Wall / Link to secondary screen / Full screen viewing			
System				
Operating System	Embedded Linux			
User Management	Admin / User			
Log Management	User login / User operation / Alarm / Backup / Update			
Application Programming	NVR Station SDK			
Network				
Network Protocols	TCP/IP, UDP, HTTP, DHCP, DNS/DDNS, RTP/RTCP, RTSP, PPPoE, FTP, SMTP, VSIP, UPNP, SMT, IPv4, IPv6 (optional)			
Viewer Software	CMS (NVR Station) / Web / iOS app / Android app			
Max. User Access	64 Users			
Output Bandwidth	36Mbps	10 ~ 36Mbps	64Mbps	12 ~ 110Mbps
Function	NAT / Socks5 / Multiple network access / Packet loss recovery / Auto network organizing			
Network Test	Supported			
Interfaces				
Ethernet	1 x 10/100M, RJ45 interface		1 x Gigabit network port, RJ45 interface	
Video Out	1 x HDMI (up to 1920 x 1080@60Hz)			
Audio In / Out	1 x RCA Line in / 1 x RCA Line out			
USB	2 x USB 2.0			
Environmental				
Operating Temperature	-10°C ~ 55°C / 14°F ~ 131°F			
Operating Humidity	10% ~ 90%			
Electrical				
Power	12V DC ± 10%			
Power Consumption	Max. 20W (HDD not included)			
Mechanical				
Weight	1.6kg / 3.52lb (HDD not included)			
Dimensions	350 x 240 x 40mm / 13.78" x 9.45" x 1.57"			

NVR1825-HP

2 Bay PoE Network Video Recorder



Features

High-performance

- Up to 1 x 1080p@30fps / 4 x 720p@30fps video decoding capability
- 1080p supported

Small size

- 1.6Kg / 3.52lb
- 350 x 240 x 40mm / 13.78" x 9.45" x 1.57"

Easy to install

- Automatic network organizing
- Built-in DHCP server
- 4 PoE port

High reliability

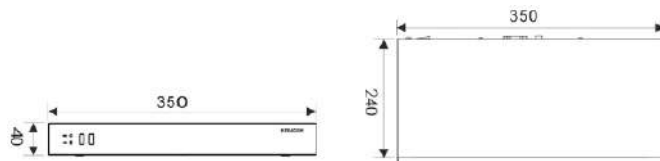
- Embedded Linux
- Low power consumption
- Supports Automatic Network Replenishment (ANR)
- Supports Packet Loss Recovery (PLR)

Abundant functions and features

- E-Map, TV-Wall supported
- Bi-directional audio, Broadcasting
- NAT, Socks5
- Alarm management
- Free CMS (NVR Station), supports 128 NVR simultaneously
- CMS supports 6 screens simultaneously (4 x Live viewing, 1 x E-Map, 1 x TV-Wall)

Dimensions

Units:mm



Specifications

	NVR1825-4HP	NVR1825-9HP
Video/Audio Input		
IP Camera Input	4 channel	9 channel
Resolution	1080p, UXGA, 960p, 720p, XGA, SVGA, D1, CIF, QCIF	
Compression	H.264	
Protocols	Onvif, RTSP, KEDACOM	
Incoming Bandwidth	20Mbps	45Mbps
Live Viewing		
Local Display	1 x HDMI, 1 x VGA, simultaneously output same content	
Multi Screen Display Local monitor	1, 2, 4	1, 2, 4, 9, 1+4, 1+8
Multi Screen Display Client	up to 4 screen simultaneously: 1, 3, 4, 9, 12, 16, 20, 25, 30, 36, 42, 49, 56, 63, 64 1+5, 1+7, 1+8, 1+9, 1+11, 1+15, 1+16, 1+33, 1+47, 1+48	
E-Map Function	Live Viewing in E-Map (NVR Station) E-PTZ / Scheme / Polling / TV-Wall (optional with decoder)	
Recording		
Resolution	1080p, UXGA, 960p, 720p, XGA, SVGA, D1, CIF, QCIF	
Mode	Manual / Continuous / Schedule / Event (Pre / Post)	
Event Trigger	Alarm input / Video lost / Motion detection	
Tag	Supported	
Reliability	Automatic Network Replenishment (ANR)	
Search & Playback		
Search Mode	Date and time (Calendar) / Event	
Resolution	1080p, UXGA, 960p, 720p, XGA, SVGA, D1, CIF, QCIF	
Playback (Local Monitor)	1 x 1080p@30fps or 4 x 720p@30fps	1 x 1080p@30fps or 4 x 720p@30fps
Playback (Client)	4 x 1080p@30fps	4 x 1080p@30fps
Synchronize Playback (Local Monitor)	4 x 720p@30fps	4 x 720p@30fps
Synchronize Playback (Client)	4 x 1080p@30fps	4 x 1080p@30fps
Function	Slow forward / Fast forward / Loop / Single frame / E-PTZ	
Storage		
Max. Internal HDDs	2 x 3.5" HDD	Max. 8TB (up to 4TB/each)
Audio		
Compression	G.711a / G.711u / ADPCM / AAC-LC	
Bit rate	32kbps ~ 64kbps	
Audio Function	Bi-directional audio / Dumb / Mute / Broadcasting	
Alarm		
Alarm Triggers	Alarm input / Video lost / Motion detection / System alarm	
Alarm Events	Snapshot / Recording / PTZ preset / Alarm out / Buzzer / Email / Link to Client / Alarm caption	
System		
Operating System	Embedded Linux	
User Management	Admin / User	
Log Management	User login / User operation / Alarm / Backup / Update	
Application Programming	NVR Station SDK	
Network		
Network Protocols	TCP/IP, UDP, HTTP, DHCP, DNS/DDNS, RTP/RTCP, RTSP, PPPoE, FTP, SNMP, VSIP	
Viewer Software	CMS (NVR Station) / Web / iOS app / Android app	
Max. User Access	64 Users	
Output Bandwidth	45Mbps	
Function	NAT / Socks5 / Multiple network access / Packet loss recovery / Auto network organizing	
Network Test	Supported	
Interfaces		
Ethernet	1 x 10/100M, RJ45 interface	
PoE	4 x 10/100M PoE port, RJ45 interface, 15W / each port	
Video Out	1 x HDMI (up to 1920 x 1080@60Hz)	
Audio In / Out	1 x VGA (up to 1920 x 1080@60Hz)	
Alarm In / Out	1 x RCA Line in / 1 x RCA Line out	
Control	2 x Inputs / 2 x Outputs	
USB	1 x RS485 2 x USB 2.0	
Environmental		
Operating Temperature	-10°C ~ 55°C / 14°F ~ 131°F	
Operating Humidity	10% ~ 90%	
Electrical		
Power	12V DC ± 10%	
Power Consumption	Max. 20W (HDD / PoE not included)	
Mechanical		
Weight	1.6kg / 3.52lb (HDD not included)	
Dimensions	350 x 240 x 40mm / 13.78" x 9.45" x 1.57"	

NVR1822-HDA

4 Bay Commercial Network Video Recorder



Features

High-performance, High-capacity

- 4 x 1080p@30fps / 9 x 720p@30fps video decoding capability
- 6MP video supported
- Up to 32 channels
- Up to 160Mbps incoming bandwidth
- Up to 110Mbps output bandwidth
- 64 user access simultaneously
- Max. 4 HDDs up to 24TB storage

Easy to install

- Automatic network organizing
- Built-in DHCP server

High reliability

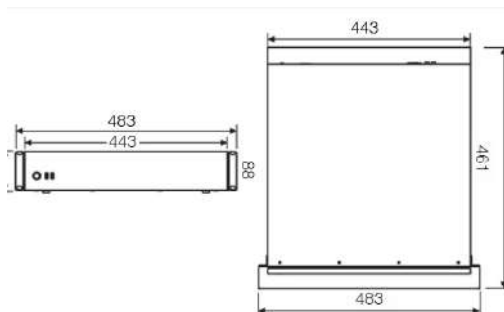
- Embedded Linux
- Low power consumption
- Supports Packet Loss Recovery (PLR)

Abundant functions and features

- HDMI/VGA simultaneously output different content
- E-Map, TV-Wall supported
- Bi-directional audio, Broadcasting
- NAT, Socks5
- Alarm management
- Free CMS (NVR Station), supports 128 NVR simultaneously
- CMS supports 6 screens simultaneously (4 x Live viewing, 1 x E-Map, 1 x TV-Wall)

Dimensions

Units:mm



Specifications

	NVR1822-9HDA	NVR1822-16HDA	NVR1822-32HDA
Video/Audio Input			
IP Camera Input	9 channel	16 channel	32 channel
Resolution	6MP, 5MP, 4MP, 3MP, 1080p, XUGA, 960p, 720p, XGA, SVGA, D1, CIF, QCIF		
Compression	H.264		
Protocols	Onvif, RTSP, KEDACOM		
Incoming Bandwidth	45Mbps	80Mbps	160Mbps
Live Viewing			
Local Display	1 x HDMI, 1 x VGA, simultaneously output different content		
Multi Screen Display Local monitor (Main / Secondary):	1, 4, 9, 1+4, 1+8, 1/1, 4/1, 1+4/1	1/1, 4/1, 9/1, 15/1, 16/1, 1+4/1, 1+8/1, 1+9/1, 1+15/1, 4/9, 9/4, 9/9	1/1, 4/1, 9/1, 15/1, 16/1, 36/1, 1+4/1, 1+8/1, 1+9/1, 1+15/1, 4/9, 9/4, 9/9
Multi Screen Display Client	up to 4 screen simultaneously: 1, 3, 4, 9, 12, 16, 20, 25, 30, 36, 42, 49, 56, 63, 64		
E-Map Function	1+5, 1+7, 1+8, 1+9, 1+11, 1+15, 1+16, 1+33, 1+47, 1+48		
Live Viewing in E-Map (NVR Station)	Supported		
E-Map Function	E-PTZ / Scheme / Polling / TV-Wall (optional with decoder)		
Recording			
Resolution	6MP, 5MP, 4MP, 3MP, 1080p, XUGA, 960p, 720p, XGA, SVGA, D1, CIF, QCIF		
Mode	Manual / Continuous / Schedule / Event (Pre / Post)		
Event Trigger	Supported		
Tag	Supported		
Search & Playback			
Search Mode	Date and time (Calendar) / Event		
Resolution	6MP, 5MP, 4MP, 3MP, 1080p, XUGA, 960p, 720p, XGA, SVGA, D1, CIF, QCIF		
Playback (Local Monitor)	1 x 6MP@30fps / 4 x 1080p@30fps / 9 x 720p@30fps	1 x 6MP@30fps / 4 x 1080p@30fps / 5 x 6MP@30fps	1 x 6MP@30fps / 4 x 1080p@30fps / 9 x 720p@30fps
Playback (Client)	5 x 6MP@30fps	5 x 6MP@30fps	5 x 6MP@30fps
Synchronize Playback (Local Monitor)	4 x 1080p@30fps / 9 x 720p@30fps	4 x 1080p@30fps / 4 x 6MP@30fps	4 x 1080p@30fps / 9 x 720p@30fps
Synchronize Playback (Client)	4 x 6MP@30fps	4 x 6MP@30fps	4 x 6MP@30fps
Function	Slow forward / Fast forward / Loop / Single frame / E-PTZ		
Storage			
Max. Internal HDDs	4 x 3.5" HDD		
Function	Max. 24TB (up to 6TB/each) Disk dormancy		
Audio			
Compression	G.711a / G.711u / ADPCM / G.722 / G.722.1c / AAC-LC		
Bit rate	32kbps ~ 64kbps		
Audio Function	Bi-directional audio / Dumb / Mute / Broadcasting		
Alarm			
Service Alarm Triggers	Alarm input / Video lost / Motion detection / Tampering / Guard line / Defocus / Sence change / Enter guard area / Exit guard area / Object left / Object removal / Gathering / Audio surge		
System Alarm Triggers	Device disconnected / No disk / Disk error / IP Address conflict / Network disconnected / Low speed / Insufficient recording space / MAC address conflict / Insufficient snapshot space		
Alarm Events	Snapshot / Recording / PTZ preset / Buzzer / Email / Link to Client / Alarm caption / Live view in first window / Link to TV Wall / Link to secondary screen / Full screen viewing		
System			
Operating System	Embedded Linux		
User Management	Admin / User		
Log Management	User login / User operation / Alarm / Backup / Update		
Application Programming	NVR Station SDK		
Network			
Network Protocols	TCP/IP, UDP, HTTP, DHCP, DNS/DDNS, RTP/RTCP, RTSP, PPPoE, FTP, SNTp, VSIP, UPNP, SMTP, IPv4, IPv6 (optional)		
Viewer Software	CMS (NVR Station) / Web / iOS app / Android app		
Max. User Access	64 Users		
Output Bandwidth	96Mbps	64Mbps	12 ~ 110Mbps
Function	NAT / Socks5 / Multiple network access / Packet loss recovery / Auto network organizing		
Network Test	Supported		
Interfaces			
Ethernet	1 x Gigabyte network port, RJ45 interface		
Video Out	1 x HDMI (up to 1920 x 1080@60Hz)		
Audio In / Out	1 x VGA (up to 1920 x 1080@60Hz)		
USB	1 x RCA Line in / 1 x RCA Line out		
USB	2 x USB 2.0		
Environmental			
Operating Temperature	-10°C ~ 55°C / 14°F ~ 131°F		
Operating Humidity	10% ~ 90%		
Electrical			
Power	100 ~ 240V AC, 50 ~ 60Hz		
Power Consumption	Max. 30W (HDD not included)		
Mechanical			
Weight	7.6kg / 16.72lb (HDD not included)		
Dimensions	443 x 460 x 88mm / 17.44" x 18.11" x 3.46"		

NVR1822-HD

8 Bay Commercial Network Video Recorder



Features

High-performance, High-capacity

- 4 x 1080p@30fps / 9 x 720p@30fps video decoding capability
- 6MP video supported
- Up to 32 channels
- Up to 160Mbps incoming bandwidth
- Up to 110Mbps output bandwidth
- 64 user access simultaneously
- Max. 8 HDDs up to 48TB storage

Easy to install

- Automatic network organizing
- Built-in DHCP server

High reliability

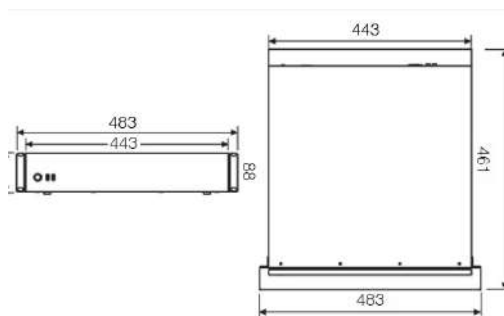
- Embedded Linux
- Low power consumption
- Supports Packet Loss Recovery (PLR)

Abundant functions and features

- HDMI/VGA simultaneously output different content
- E-Map, TV-Wall supported
- Bi-directional audio, Broadcasting
- NAT, Socks5
- Alarm management
- Free CMS (NVR Station), supports 128 NVR simultaneously
- CMS supports 6 screens simultaneously (4 x Live viewing, 1 x E-Map, 1 x TV-Wall)

Dimensions

Units:mm



Specifications

	NVR1822-9HD	NVR1822-16HD	NVR1822-32HD
Video/Audio Input			
IP Camera Input	9 channel	16 channel	32 channel
Resolution	6MP, 5MP, 4MP, 3MP, 1080p, XUGA, 960p, 720p, XGA, SVGA, D1, CIF, QCIF		
Compression	H.264		
Protocols	Onvif, RTSP, KEDACOM		
Incoming Bandwidth	45Mbps	80Mbps	160Mbps
Live Viewing			
Local Display	1 x HDMI, 1 x VGA, simultaneously output different content		
Multi Screen Display Local monitor (Main / Secondary):	1, 4, 9, 1+4, 1+8, 1/1, 4/1, 1+4/1	1/1, 4/1, 9/1, 15/1, 16/1, 1+4/1, 1+8/1, 1+9/1, 1+15/1, 4/9, 9/4, 9/9	1/1, 4/1, 9/1, 15/1, 16/1, 36/1, 1+4/1, 1+8/1, 1+9/1, 1+15/1, 4/9, 9/4, 9/9
Multi Screen Display Client	up to 4 screen simultaneously: 1, 3, 4, 9, 12, 16, 20, 25, 30, 36, 42, 49, 56, 63, 64 1+5, 1+7, 1+8, 1+9, 1+11, 1+15, 1+16, 1+33, 1+47, 1+48		
E-Map Function	Live Viewing in E-Map (NVR Station) E-PTZ / Scheme / Polling / TV-Wall (optional with decoder)		
Recording			
Resolution	6MP, 5MP, 4MP, 3MP, 1080p, XUGA, 960p, 720p, XGA, SVGA, D1, CIF, QCIF		
Mode	Manual / Continuous / Schedule / Event (Pre / Post)		
Event Trigger	Supported		
Tag	Supported		
Search & Playback			
Search Mode	Date and time (Calendar) / Event		
Resolution	6MP, 5MP, 4MP, 3MP, 1080p, XUGA, 960p, 720p, XGA, SVGA, D1, CIF, QCIF		
Playback	Local monitor: 1 x 6MP@30fps / 4 x 1080p@30fps / 9 x 720p@30fps Client: 5 x 6MP@30fps Local monitor: 4 x 1080p@30fps or 9 x 720p@30fps Client: 4 x 6MP@30fps		
Synchronize Playback	Slow forward / Fast forward / Loop / Single frame / E-PTZ		
Storage			
Max. Internal HDDs	8 x 3.5" HDD Max. 48TB (up to 6TB/each)		
Function	Disk dormancy		
Audio			
Compression	G.711a / G.711u / ADPCM / G.722 / G.722.1c / AAC-LC		
Bit rate	32kbps ~ 64kbps		
Audio Function	Bi-directional audio / Dumb / Mute / Broadcasting		
Alarm			
Service Alarm Triggers	Alarm input / Video lost / Motion detection / Tampering / Guard line / Defocus / Sence change / Enter guard area / Exit guard area / Object left / Object removal / Gathering / Audio surge		
System Alarm Triggers	Device disconnected / No disk / Disk error / IP Address conflict / Network disconnected / Low speed / Insufficient recording space / MAC address conflict / Insufficient snapshot space		
Alarm Events	Snapshot / Recording / PTZ preset / Buzzer / Email / Link to Client / Alarm caption / Live view in first window / Link to TV Wall / Link to secondary screen / Full screen viewing		
System			
Operating System	Embedded Linux		
User Management	Admin / User		
Log Management	User login / User operation / Alarm / Backup / Update		
Application Programming	NVR Station SDK		
Network			
Network Protocols	TCP/IP, UDP, HTTP, DHCP, DNS/DDNS, RTP/RTCP, RTSP, PPPoE, FTP, SNTp, VSIP, UPNP, SMTP, IPv4, IPv6 (optional)		
Viewer Software	CMS (NVR Station) / Web / iOS app / Android app		
Max. User Access	64 Users		
Output Bandwidth	36Mbps	64Mbps	12 ~ 110Mbps
Function	NAT / Socks5 / Multiple network access / Packet loss recovery / Auto network organizing		
Network Test	Supported		
Interfaces			
Ethernet	1 x Gigabite network port, RJ45 interface		
Video Out	1 x HDMI (up to 1920 x 1080@60Hz) 1 x VGA (up to 1920 x 1080@60Hz)		
Audio In / Out	1 x RCA Line in / 1 x RCA Line out		
USB	2 x USB 2.0		
Environmental			
Operating Temperature	-10°C ~ 55°C / 14°F ~ 131°F		
Operating Humidity	10% ~ 90%		
Electrical			
Power	100 ~ 240V AC, 50 ~ 60Hz		
Power Consumption	Max. 30W (HDD not included)		
Mechanical			
Weight	7.6kg / 16.72lb (HDD not included)		
Dimensions	443 x 460 x 88mm / 17.44" x 18.11" x 3.46"		

NVR1821-04A

4 Bay Professional Network Video Recorder



Features

High-performance, High-capacity

- H.265 supported
- 4 x 4K@30fps / 16 x 1080p@30fps video decoding capability
- Up to 64 channels
- Up to 320Mbps incoming bandwidth
- 256Mbps output bandwidth
- 64 user access simultaneously
- Max. 4 HDDs up to 24TB storage
- e-SATA storage supported

Easy to install

- Automatic network organizing
- Built-in DHCP server

High reliability

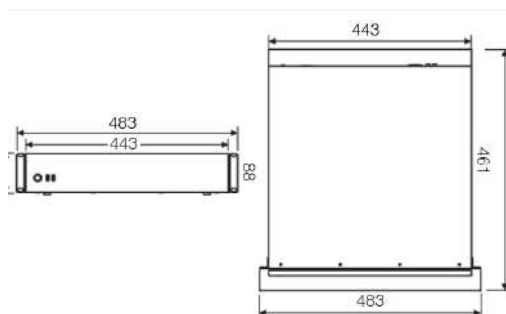
- Embedded Linux
- Low power consumption
- Supports Automatic Network Replenishment (ANR)
- Supports Packet Loss Recovery (PLR)
- N+1 Hot Backup

Abundant functions and features

- HDMI/VGA simultaneously output different content
- E-Map, TV-Wall supported
- Bi-directional audio, Broadcasting
- NAT, Socks5
- Alarm management
- Free CMS (NVR Station), supports 128 NVR simultaneously
- CMS supports 6 screens simultaneously (4 x Live viewing, 1 x E-Map, 1 x TV-Wall)

Dimensions

Units:mm

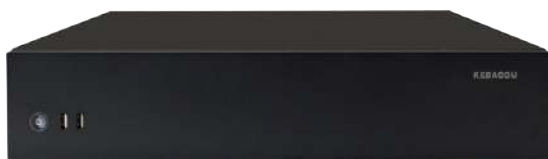


Specifications

	NVR1821-04009A	NVR1821-04016A	NVR1821-04032A
Video/Audio Input	9 channel	16 channel	32 channel
IP Camera Input	8MP(4K), 6MP, 5MP, 4MP, 3MP, 1080p, UXGA, 960p, 720p, XGA, SVGA, D1, CIF, QCIF		
Resolution			
Compression	H.265 / H.264		
Protocols	Onvif, RTSP, KEDACOM		
Bitrate	64kbps ~ 16384kbps		
Incoming Bandwidth	90Mbps	160Mbps	320Mbps
Live Viewing	1 x HDMI, 1 x VGA, simultaneously output different content		
Local Display			
Multi Screen Display Local monitor (Main / Secondary):	1, 3, 4, 9, 1+4, 1+8, 1/1, 2/1, 4/1, 1+4/1	1, 3, 4, 9, 15, 16, 1+4, 1+8, 1+9, 1+15, 1/1, 2/1, 4/1, 9/1, 15/1, 16/1, 1+4/1, 1+9/1, 1+15/1, 4/9, 9/4, 9/9	1, 3, 4, 9, 15, 16, 25, 36, 1+4, 1+8, 1+9, 1+15, 1/1, 2/1, 4/1, 9/1, 15/1, 16/1, 36/1, 1+4/1, 1+8/1, 1+9/1, 1+15/1, 4/9, 9/4, 9/9, 16/16
Multi Screen Display Client	up to 4 screens simultaneously: 1, 3, 4, 9, 12, 16, 20, 25, 30, 36, 42, 49, 56, 63, 64 1+5, 1+7, 1+8, 1+9, 1+11, 1+12, 1+13, 1+15, 1+16, 1+33, 1+47, 1+48		
E-Map Function	Live Viewing in E-Map (NVR Station)		
Function	E-PTZ / Scheme / Polling / TV-Wall (optional with decoder) / Virtual channel		
Recording			
Resolution	8MP(4K), 6MP, 5MP, 4MP, 3MP, 1080p, UXGA, 960p, 720p, XGA, SVGA, D1, CIF, QCIF		
Mode	Manual / Continuous / Schedule / Event (Pre / Post)		
Event Trigger	Supported		
Tag	Supported		
Reliability	Automatic Network Replenishment (ANR)		
Search & Playback			
Search Mode	Date and time (Calendar) / Event		
Resolution	8MP(4K), 6MP, 5MP, 4MP, 3MP, 1080p, UXGA, 960p, 720p, XGA, SVGA, D1, CIF, QCIF		
Playback (Local Monitor)	4 x 4K@30fps / 9 x 1080p@30fps	4 x 4K@30fps / 16 x 1080p@30fps	
Playback (Client)	up to 16 x 4K@30fps		
Synchronize Playback (Local Monitor)	4 x 4K@30fps / 9 x 1080p@30fps	4 x 4K@30fps / 16 x 1080p@30fps	
Synchronize Playback (Client)	4 x 4K@30fps		
Function	Slow forward / Fast forward / Loop / Single frame / E-PTZ / Slice playback		
Storage			
Max. Internal HDDs	4 x 3.5" HDD		
RAID	Max. 24TB (up to 6TB/each) RAID 0/1/5/6/10 (optional)		
External	IP SAN (iSCSI), up to 10 x IP SAN, Max. 100T (optional) e-SATA		
Function	Disk group / Quota / Disk dormancy		
Audio			
Compression	G.711a / G.711u / ADPCM / G.722 / G.722.1c / AAC-LC		
Bit rate	32kbps ~ 64kbps		
Audio Function	Bi-directional audio / Dumb / Mute / Broadcasting		
Alarm			
Service Alarm Triggers	Alarm input / Video lost / Motion detection / Tampering / Guard line / Defocus / Sence change / Enter guard area / Exit guard area / Object left / Object removal / Gathering / Audio surge		
System Alarm Triggers	Device disconnected / No disk / Disk error / IP Address conflict / Network disconnected / Low speed / Insufficient recording space / MAC address conflict / Insufficient snapshot space		
Alarm Events	Snapshot / Recording / PTZ preset / Buzzer / Email / Link to Client / Alarm caption / Live view in first window / Link to TV Wall / Link to secondary screen / Full screen viewing		
System			
Operating System	Embedded Linux		
User Management	Admin / User		
Log Management	User login / User operation / Alarm / Backup / Update		
Application Programming	NVR Station SDK		
Network			
Network Protocols	TCP/IP, UDP, HTTP, DHCP, DNS/DDNS, RTP/RTCP, RTSP, PPPoE, FTP, SNTp, VSIP, UPNP, SMTP, IPv4, IPv6 (optional)		
Viewer Software	CMS (NVR Station) / Web / iOS app / Android app		
Max. User Access	64 Users		
Output Bandwidth	256Mbps		
Function	NAT / Socks5 / Multiple network access / Packet loss recovery / Auto network organizing		
Network Test	Supported		
Hot Backup	N+1		
Interfaces			
Ethernet	2 x Gigabyte network port, RJ45 interface		
Video Out	1 x HDMI (up to 3840 x 2160@60Hz)		
Audio In / Out	1 x VGA (up to 1920 x 1080@60Hz)		
Alarm In / Out	1 x RCA Line in / 1 x RCA Line out		
Control	2 x Inputs / 2 x Outputs		
USB	2 x RS-485		
e-SATA	2 x USB 2.0 1x USB3.0		
1 x e-SATA			
Environmental			
Operating Temperature	-10°C ~ 55°C / 14°F ~ 131°F		
Operating Humidity	10% ~ 90%		
Electrical			
Power	100 ~ 240V AC, 50 ~ 60Hz		
Power Consumption	Max. 15W (HDD not included)		
Mechanical			
Weight	7.6kg / 16.72lb (HDD not included)		
Dimensions	443 x 461 x 88mm / 17.44" x 18.15" x 3.46"		

NVR1821-08A

8 Bay Professional Network Video Recorder



Features

High-performance, High-capacity

- H.265 supported
- 4 x 4K@30fps / 16 x 1080p@30fps video decoding capability
- Up to 64 channels
- Up to 320Mbps incoming bandwidth
- 256Mbps output bandwidth
- 64 user access simultaneously
- Max. 8 HDDs up to 48TB storage
- e-SATA storage supported

Easy to install

- Automatic network organizing
- Built-in DHCP server

High reliability

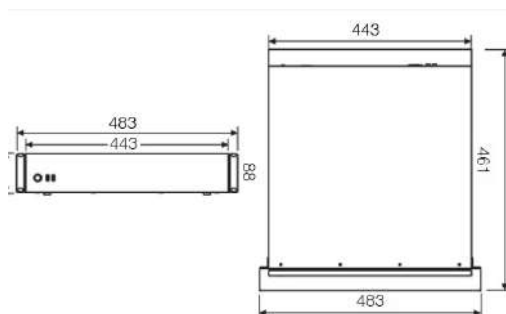
- Embedded Linux
- Low power consumption
- Supports Automatic Network Replenishment (ANR)
- Supports Packet Loss Recovery (PLR)
- N+1 Hot Backup

Abundant functions and features

- HDMI/VGA simultaneously output different content
- E-Map, TV-Wall supported
- Bi-directional audio, Broadcasting
- NAT, Socks5
- Alarm management
- Free CMS (NVR Station), supports 128 NVR simultaneously
- CMS supports 6 screens simultaneously (4 x Live viewing, 1 x E-Map, 1 x TV-Wall)

Dimensions

Units:mm



Specifications

	NVR1821-08009A	NVR1821-08016A	NVR1821-08032A	NVR1821-08064A
Video/Audio Input				
IP Camera Input	9 channel	16 channel	32 channel	64 channel
Resolution	8MP(4K), 6MP, 5MP, 4MP, 3MP, 1080p, UXGA, 960p, 720p, XGA, SVGA, D1, CIF, QCIF			
Compression	H.265 / H.264			
Protocols	Onvif, RTSP, KEDACOM			
Bitrate	64kbps ~ 16384kbps			
Incoming Bandwidth	90Mbps	160Mbps	320Mbps	320Mbps
Live Viewing				
Local Display	1 x HDMI, 1 x VGA, simultaneously output different content			
Multi Screen Display Local monitor (Main / Secondary):	1, 3, 4, 9, 1+4, 1+8, 1/1, 2/1, 4/1, 1+4/1	1, 3, 4, 9, 15, 16, 1+4, 1+8, 1+9, 1+15, 1/1, 2/1, 4/1, 9/1, 15/1, 16/1, 1+4/1, 1+8/1, 1+9/1, 9/4, 9/9	1, 3, 4, 9, 15, 16, 25, 36, 1+4, 1+8, 1+9, 1+15, 1/1, 2/1, 4/1, 9/1, 15/1, 16/1, 36/1, 48/1, 64/1, 1+4/1, 1+8/1, 1+9/1, 1+15/1, 4/9, 9/4, 9/9, 16/16	1, 3, 4, 9, 15, 16, 25, 36, 48, 64, 1+4, 1+8, 1+9, 1+15, 1/1, 2/1, 4/1, 9/1, 15/1, 16/1, 36/1, 48/1, 64/1, 1+4/1, 1+8/1, 1+9/1, 1+15/1, 4/9, 9/4, 9/9
Multi Screen Display Client	up to 4 screens simultaneously: 1, 3, 4, 9, 12, 16, 20, 25, 30, 36, 42, 49, 56, 63, 64 1+5, 1+7, 1+8, 1+9, 1+11, 1+12, 1+13, 1+15, 1+16, 1+33, 1+47, 1+48			
E-Map Function	Live Viewing in E-Map (NVR Station)			
Recording	E-PTZ / Scheme / Polling / TV-Wall (optional with decoder) / Virtual channel			
Resolution	8MP(4K), 6MP, 5MP, 4MP, 3MP, 1080p, UXGA, 960p, 720p, XGA, SVGA, D1, CIF, QCIF			
Mode	Manual / Continuous / Schedule / Event (Pre / Post)			
Event Trigger	Supported			
Tag	Supported			
Reliability	Automatic Network Replenishment (ANR)			
Search & Playback				
Search Mode	Date and time (Calendar) / Event			
Resolution	8MP(4K), 6MP, 5MP, 4MP, 3MP, 1080p, UXGA, 960p, 720p, XGA, SVGA, D1, CIF, QCIF			
Playback (Local Monitor)	4 x 4K@30fps / 9 x 1080p@30fps		4 x 4K@30fps / 16 x 1080p@30fps	
Playback (Client)	up to 16 x 4K@30fps			
Synchronize Playback (Local Monitor)	4 x 4K@30fps / 9 x 1080p@30fps		4 x 4K@30fps / 16 x 1080p@30fps	
Synchronize Playback (Client)	4 x 4K@30fps			
Function	Slow forward / Fast forward / Loop / Single frame / E-PTZ / Slice playback			
Storage				
Max. Internal HDDs	8 x 3.5" HDD			
RAID	Max. 48TB (up to 6TB/each) RAID 0/1/5/6/10			
External	IP SAN (iSCSI), up to 10 x IP SAN, Max. 100T (optional) e-SATA			
Function	Disk group / Quota / Disk dormancy			
Audio				
Compression	G.711a / G.711u / ADPCM / G.722 / G.722.1c / AAC-LC			
Bit rate	32kbps ~ 64kbps			
Audio Function	Bi-directional audio / Dumb / Mute / Broadcasting			
Alarm				
Service Alarm Triggers	Alarm input / Video lost / Motion detection / Tampering / Guard line / Defocus / Sence change / Enter guard area / Exit guard area / Object left / Object removal / Gathering / Audio surge			
System Alarm Triggers	Device disconnected / No disk / Disk error / IP Address conflict / Network disconnected / Low speed / Insufficient recording space / MAC address conflict / Insufficient snapshot space			
Alarm Events	Snapshot / Recording / PTZ preset / Buzzer / Email / Link to Client / Alarm caption / Live view in first window / Link to TV Wall / Link to secondary screen / Full screen viewing			
System				
Operating System	Embedded Linux			
User Management	Admin / User			
Log Management	User login / User operation / Alarm / Backup / Update			
Application Programming	NVR Station SDK			
Network				
Network Protocols	TCP/IP, UDP, HTTP, DHCP, DNS/DDNS, RTP/RTCP, RTSP, PPPoE, FTP, SNTp, VSIP, UPNP, SMTP, IPv4, IPv6 (optional)			
Viewer Software	CMS (NVR Station) / Web / iOS app / Android app			
Max. User Access	64 Users			
Output Bandwidth	256Mbps			
Function	NAT / Socks5 / Multiple network access / Packet loss recovery / Auto network organizing			
Network Test	Supported			
Hot Backup	N+1			
Interfaces				
Ethernet	2 x Gigabyte network port, RJ45 interface			
Video Out	1 x HDMI (up to 3840 x 2160@60Hz) 1 x VGA (up to 1920 x 1080@60Hz)			
Audio In / Out	1 x RCA Line in / 1 x RCA Line out			
Alarm In / Out	2 x Inputs / 2 x Outputs			
Control	2 x RS-485			
USB	2 x USB 2.0 1x USB3.0			
e-SATA	1 x e-SATA			
Environmental				
Operating Temperature	-10°C ~ 55°C / 14°F ~ 131°F			
Operating Humidity	10% ~ 90%			
Electrical				
Power	100 ~ 240V AC, 50 ~ 60Hz			
Power Consumption	Max. 15W (HDD not included)			
Mechanical				
Weight	7.6kg / 16.72lb (HDD not included)			
Dimensions	443 x 461 x 88mm / 17.44" x 18.15" x 3.46"			

NVR2860E-08A

8 Bay RAID Professional Network Video Recorder



Features

High-performance, High-capacity

- H.265 supported
- 4 x 4K@30fps / 16 x 1080p@30fps video decoding capability
- Up to 64 channels
- Up to 320Mbps incoming bandwidth
- 256Mbps output bandwidth
- 64 user access simultaneously
- Max. 8 HDDs up to 48TB storage
- e-SATA storage supported

Easy to install

- Automatic network organizing
- Built-in DHCP server

High reliability

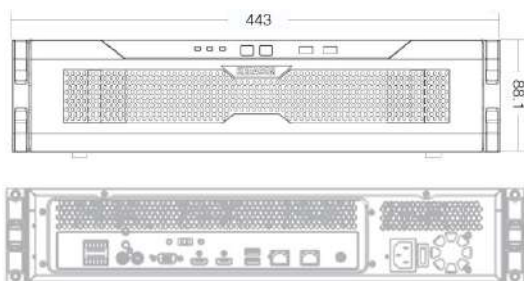
- Embedded Linux
- RAID 0/1/5/6/10
- Supports Automatic Network Replenishment (ANR)
- Supports Packet Loss Recovery (PLR)
- N+1 Hot Backup

Abundant functions and features

- HDMI/VGA simultaneously output different content
- E-Map, TV-Wall supported
- Bi-directional audio, Broadcasting
- NAT, Socks5
- Alarm management
- Free CMS (NVR Station), supports 128 NVR simultaneously
- CMS supports 6 screens simultaneously (4 x Live viewing, 1 x E-Map, 1 x TV-Wall)

Dimensions

Units:mm



Specifications

	NVR2860E-08016A	NVR2860E-08032A	NVR2860E-08048A	NVR2860E-08064A
Video/Audio Input	16 channel	32 channel	48 channel	64 channel
IP Camera Input	8MP(4K), 6MP, 5MP, 4MP, 3MP, 1080p, UXGA, 960p, 720p, XGA, SVGA, D1, CIF, QCIF			
Resolution	H.265 / H.264			
Compression	Onvif, RTSP, KEDACOM			
Protocols	64kbps ~ 16384kbps			
Bit rate	160Mbps	320Mbps	320Mbps	320Mbps
Incoming Bandwidth	Live Viewing			
Local Display	1 x HDMI, 1 x VGA, simultaneously output different content			
Multi Screen Display Local monitor (Main / Secondary):	1, 3, 4, 9, 15, 16, 1+4, 1+8, 1+9, 1+15, 1/1, 2/1, 4/1, 9/1, 15/1, 16/1, 1+4/1, 1+8/1, 1+9/1, 1+15/1, 4/9, 9/4, 9/9	1, 3, 4, 9, 15, 16, 25, 36, 1+4, 1+8, 1+9, 1+15, 1/1, 2/1, 4/1, 9/1, 15/1, 16/1, 1+4/1, 1+8/1, 1+9/1, 1+15/1, 4/9, 9/4, 9/9, 16/16	1, 3, 4, 9, 15, 16, 25, 36, 48, 1+4, 1+8, 1+9, 1+15, 1/1, 2/1, 4/1, 9/1, 15/1, 16/1, 36/1, 48/1, 1+4/1, 1+8/1, 1+9/1, 1+15/1, 4/9, 9/4, 9/9, 16/16	1, 3, 4, 9, 15, 16, 25, 36, 48, 64, 1+4, 1+8, 1+9, 1+15, 1/1, 2/1, 4/1, 9/1, 15/1, 16/1, 36/1, 48/1, 64/1, 1+4/1, 1+8/1, 1+9/1, 1+15/1, 4/9, 9/4, 9/9, 16/16
Multi Screen Display Client	up to 4 screens simultaneously: 1, 3, 4, 9, 12, 16, 20, 25, 30, 36, 42, 49, 56, 63, 64 1+5, 1+7, 1+8, 1+9, 1+11, 1+12, 1+13, 1+15, 1+16, 1+33, 1+47, 1+48			
E-Map Function	Live Viewing in E-Map (NVR Station)			
Recording	E-PTZ / Scheme / Polling / TV-Wall (optional with decoder) / Virtual channel			
Resolution	8MP(4K), 6MP, 5MP, 4MP, 3MP, 1080p, UXGA, 960p, 720p, XGA, SVGA, D1, CIF, QCIF			
Mode	Manual / Continuous / Schedule / Event (Pre / Post)			
Event Trigger	Supported			
Tag	Supported			
Reliability	Automatic Network Replenishment (ANR)			
Search & Playback				
Search Mode	Date and time (Calendar) / Event			
Resolution	8MP(4K), 6MP, 5MP, 4MP, 3MP, 1080p, UXGA, 960p, 720p, XGA, SVGA, D1, CIF, QCIF			
Playback (Local Monitor)	4 x 4K@30fps / 16 x 1080p@30fps			
Playback (Client)	up to 16 x 4K@30fps			
Synchronize Playback (Local Monitor)	4 x 4K@30fps / 16 x 1080p@30fps			
Synchronize Playback (Client)	4 x 4K@30fps			
Function	Slow forward / Fast forward / Loop / Single frame / E-PTZ / Slice playback			
Storage				
Max. Internal HDDs	8 x 3.5" HDD			
RAID	Max. 48TB (up to 6TB/each) RAID 0/1/5/6/10			
External	IP SAN (iSCSI), up to 10 x IP SAN, Max. 100T (optional) e-SATA			
Function	Disk group / Quota / Disk dormancy			
Audio				
Compression	G.711a / G.711u / ADPCM / G.722 / G.722.1c / AAC-LC			
Bit rate	32kbps ~ 64kbps			
Audio Function	Bi-directional audio / Dumb / Mute / Broadcasting			
Alarm				
Service Alarm Triggers	Alarm input / Video lost / Motion detection / Tampering / Guard line / Defocus / Sence change / Enter guard area / Exit guard area / Object left / Object removal / Gathering / Audio surge			
System Alarm Triggers	Device disconnected / No disk / Disk error / IP Address conflict / Network disconnected / Low speed / Insufficient recording space / MAC address conflict / Insufficient snapshot space			
Alarm Events	Snapshot / Recording / PTZ preset / Buzzer / Email / Link to Client / Alarm caption / Live view in first window / Link to TV Wall / Link to secondary screen / Full screen viewing			
System				
Operating System	Embedded Linux			
User Management	Admin / User			
Log Management	User login / User operation / Alarm / Backup / Update			
Application Programming	NVR Station SDK			
Network				
Network Protocols	TCP/IP, UDP, HTTP, DHCP, DNS/DDNS, RTP/RTCP, RTSP, PPPoE, FTP, SNTp, VSIP, UPNP, SMTP, IPv4, IPv6 (optional)			
Viewer Software	CMS (NVR Station) / Web / iOS app / Android app			
Max. User Access	64 Users			
Output Bandwidth	256Mbps			
Function	NAT / Socks5 / Multiple network access / Packet loss recovery / Auto network organizing			
Network Test	Supported			
Hot Backup	N+1			
Interfaces				
Ethernet	2 x Gigabit network port, RJ45 interface			
Video Out	1 x HDMI (up to 3840 x 2160@60Hz) 1 x VGA (up to 1920 x 1080@60Hz)			
Audio In / Out	1 x RCA Line in / 1 x RCA Line out			
Alarm In / Out	2 x Inputs / 2 x Outputs			
Control	2 x RS485			
USB	2 x USB2.0, 1 x USB3.0			
e-SATA	1 x e-SATA			
Environmental				
Operating Temperature	-10°C ~ 55°C / 14°F ~ 131°F			
Operating Humidity	10% ~ 85%			
Electrical				
Power	100 ~ 240V AC, 50 ~ 60Hz			
Power Consumption	Max. 20W (HDD not included)			
Mechanical				
Weight	12.5kg / 27.5lb (HDD not included)			
Dimensions	443 x 561 x 88mm / 16.93" x 22.09" x 3.46"			

NVR2860E-HD

8 Bay RAID Professional Network Video Recorder



Features

High-performance, High-capacity

- 16 x 1080p@30fps video decoding capability
- Up to 4K video supported
- Up to 64 channels
- Up to 320Mbps incoming bandwidth
- 320Mbps output bandwidth
- 64 user access simultaneously
- Max. 8 HDDs up to 48TB storage
- IP SAN and e-SATA storage supported

Easy to install

- Automatic network organizing
- Built-in DHCP server

High reliability

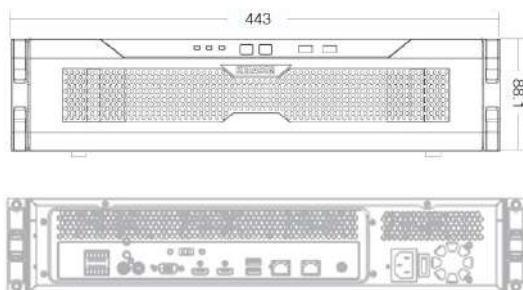
- Embedded Linux
- RAID 0/1/5/6/10
- Supports Automatic Network Replenishment (ANR)
- Supports Packet Loss Recovery (PLR)

Abundant functions and features

- HDMI/VGA simultaneously output different content
- E-Map, TV-Wall supported
- Bi-directional audio, Broadcasting
- NAT, Socks5
- Alarm management
- Free CMS (NVR Station), supports 128 NVR simultaneously
- CMS supports 6 screens simultaneously (4 x Live viewing, 1 x E-Map, 1 x TV-Wall)

Dimensions

Units:mm



Specifications

	NVR2860E-16HD	NVR2860E-32HD	NVR2860E-48HD	NVR2860E-64HD
Video/Audio Input	16 channel	32 channel	48 channel	64 channel
IP Camera Input	8MP(4K), 6MP, 5MP, 4MP, 3MP, 1080p, UXGA, 960p, 720p, XGA, SVGA, D1, CIF, QCIF	3MP, 1080p, UXGA, 960p, 720p, XGA, SVGA, D1, CIF, QCIF	3MP, 1080p, UXGA, 960p, 720p, XGA, SVGA, D1, CIF, QCIF	3MP, 1080p, UXGA, 960p, 720p, XGA, SVGA, D1, CIF, QCIF
Resolution	8MP(4K), 6MP, 5MP, 4MP, 3MP, 1080p, UXGA, 960p, 720p, XGA, SVGA, D1, CIF, QCIF	3MP, 1080p, UXGA, 960p, 720p, XGA, SVGA, D1, CIF, QCIF	3MP, 1080p, UXGA, 960p, 720p, XGA, SVGA, D1, CIF, QCIF	3MP, 1080p, UXGA, 960p, 720p, XGA, SVGA, D1, CIF, QCIF
Compression	H.264			
Protocols	Onvif, RTSP, KEDACOM			
Incoming Bandwidth	80Mbps	160Mbps	240Mbps	320Mbps
Live Viewing	1 x HDMI, 1 x VGA, simultaneously output different content			
Local Display	1/1, 4/1, 9/1, 15/1, 16/1, 24/1, 1+4/1, 1+8/1, 1+9/1, 1+15/1, 4/9, 9/4, 9/9, 16/16	1/1, 4/1, 9/1, 15/1, 16/1, 24/1, 25/1, 35/1, 36/1, 1+4/1, 1+8/1, 1+9/1, 1+15/1, 4/9, 9/4, 9/9, 16/16	1/1, 4/1, 9/1, 15/1, 16/1, 24/1, 25/1, 35/1, 36/1, 1+4/1, 1+8/1, 1+9/1, 1+15/1, 4/9, 9/4, 9/9, 16/16	1/1, 4/1, 9/1, 15/1, 16/1, 24/1, 25/1, 35/1, 36/1, 64/1, 1+4/1, 1+8/1, 1+9/1, 1+15/1, 4/9, 9/4, 9/9, 16/16
Multi Screen Display Local monitor (Main / Secondary)	1/1, 4/1, 9/1, 15/1, 16/1, 24/1, 1+4/1, 1+8/1, 1+9/1, 1+15/1, 4/9, 9/4, 9/9, 16/16	1/1, 4/1, 9/1, 15/1, 16/1, 24/1, 25/1, 35/1, 36/1, 1+4/1, 1+8/1, 1+9/1, 1+15/1, 4/9, 9/4, 9/9, 16/16	1/1, 4/1, 9/1, 15/1, 16/1, 24/1, 25/1, 35/1, 36/1, 1+4/1, 1+8/1, 1+9/1, 1+15/1, 4/9, 9/4, 9/9, 16/16	1/1, 4/1, 9/1, 15/1, 16/1, 24/1, 25/1, 35/1, 36/1, 64/1, 1+4/1, 1+8/1, 1+9/1, 1+15/1, 4/9, 9/4, 9/9, 16/16
Multi Screen Display Client	up to 4 screens simultaneously: 1, 3, 4, 9, 12, 16, 20, 25, 30, 36, 42, 49, 56, 63, 64			
E-Map Function	1+5, 1+7, 1+8, 1+9, 1+11, 1+15, 1+16, 1+33, 1+47, 1+48			
Recording	Live Viewing in E-Map (NVR Station) E-PTZ / Scheme / Polling / TV-Wall (optional with decoder)			
Resolution	8MP(4K), 6MP, 5MP, 4MP, 3MP, 1080p, UXGA, 960p, 720p, XGA, SVGA, D1, CIF, QCIF		3MP, 1080p, UXGA, 960p, 720p, XGA, SVGA, D1, CIF, QCIF	
Mode	Manual / Continuous / Schedule / Event (Pre / Post)			
Event Trigger	Supported			
Tag	Supported			
Reliability	Automatic Network Replenishment (ANR)			
Search & Playback	Search Mode			
Search Mode	Date and time (Calendar) / Event			
Resolution	8MP(4K), 6MP, 5MP, 4MP, 3MP, 1080p, UXGA, 960p, 720p, XGA, SVGA, D1, CIF, QCIF		3MP, 1080p, UXGA, 960p, 720p, XGA, SVGA, D1, CIF, QCIF	
Playback (Local Monitor)	1 x 4K@30fps / 4 x 4MP@30fps / 16 x 1080p@30fps		4 x 3MP@30fps / 16 x 1080p@30fps	
Playback (Client)	16 x 4K@30fps		16 x 3MP@30fps	
Synchronize Playback (Local Monitor)	4 x 4MP@30fps / 16 x 1080p@30fps		4 x 3MP@30fps / 16 x 1080p@30fps	
Synchronize Playback (Client)	4 x 4K@30fps		4 x 3MP@30fps	
Function	Slow forward / Fast forward / Loop / Single frame / E-PTZ / Slice playback			
Storage	Max. Internal HDDs			
Max. Internal HDDs	8 x 3.5" HDD			
RAID	Max. 48TB (up to 6TB/each) RAID 0/1/5/6/10			
External	IP SAN (iSCSI), up to 10 x IP SAN, Max. 100T, Max. write speed 128Mbps			
e-SATA	e-SATA			
Function	Disk group / Quota / Disk dormancy			
Audio	Compression			
Compression	G.711a / G.711u / ADPCM / G.722 / G.722.1c / AAC-LC			
Bit rate	32kbps ~ 64kbps			
Audio Function	Bi-directional audio / Dumb / Mute / Broadcasting			
Alarm	Alarm input / Video lost / Motion detection / Tampering / Guard line / Defocus / Sence change / Enter guard area / Exit guard area / Object left / Object removal / Gathering / Audio surge			
Service Alarm Triggers	Device disconnected / No disk / Disk error / IP Address conflict / Network disconnected / Low speed / Insufficient recording space / MAC address conflict / Insufficient snapshot space			
System Alarm Triggers	Snapshot / Recording / PTZ preset / Buzzer / Email / Link to Client / Alarm caption / Live view in first window / Link to TV Wall / Link to secondary screen / Full screen viewing			
Alarm Events	Snapshot / Recording / PTZ preset / Buzzer / Email / Link to Client / Alarm caption / Live view in first window / Link to TV Wall / Link to secondary screen / Full screen viewing			
System	Operating System			
Operating System	Embedded Linux			
User Management	Admin / User			
Log Management	User login / User operation / Alarm / Backup / Update			
Application Programming	NVR Station SDK			
Network	Network Protocols			
Network Protocols	TCP/IP, UDP, HTTP, DHCP, DNS/DDNS, RTP/RTCP, RTSP, PPPoE, FTP, SMTP, VSIP, UPNP, SMTP, IPv4, IPv6 (optional)			
Viewer Software	CMS (NVR Station) / Web / iOS app / Android app			
Max. User Access	64 Users			
Output Bandwidth	256Mbps			
Function	NAT / Socks5 / Multiple network access / Packet loss recovery / Auto network organizing			
Network Test	Supported			
Interfaces	Ethernet			
Ethernet	2 x Gigabite network port, RJ45 interface			
Video Out	1 x HDMI (up to 1920 x 1080@60Hz)			
Audio In / Out	1 x RCA Line in / 1 x RCA Line out			
Alarm In / Out	2 x Inputs / 2 x Outputs			
Control	2 x RS485			
USB	4 x USB 2.0			
e-SATA	1 x e-SATA			
Environmental	Operating Temperature			
Operating Temperature	-10°C ~ 55°C / 14°F ~ 131°F			
Operating Humidity	10% ~ 85%			
Electrical	Power			
Power	100 ~ 240V AC, 50 ~ 60Hz			
Power Consumption	Max. 65W (HDD not included)			
Mechanical	Weight			
Weight	12.5kg / 27.5lb (HDD not included)			
Dimensions	443 x 561 x 88mm / 17.44" x 22.09" x 3.46"			

NVR2882-HD

16 Bay Professional Network Video Recorder



Features

Video stitching

- Up to 4 video channels stitching into one panorama
- No special camera required
- Stitched video on live view and recording

High-performance, High-capacity

- 4 x 1080p@30fps / 16 x 720p@30fps video decoding capability
- 4K video supported
- Up to 64 channels
- Up to 320Mbps incoming bandwidth
- 256Mbps output bandwidth
- 64 user access simultaneously
- Max. 16 HDDs up to 96TB storage
- IP SAN storage supported

Easy to install

- Automatic network organizing
- Built-in DHCP server

High reliability

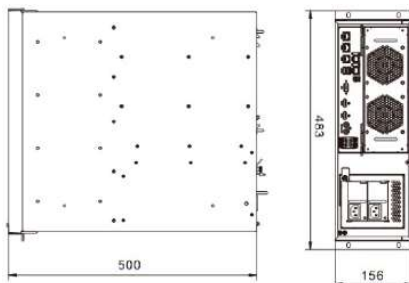
- Embedded Linux
- Supports Automatic Network Replenishment (ANR)
- Supports Packet Loss Recovery (PLR)

Abundant functions and features

- HDMI/VGA simultaneously output different content
- E-Map, TV-Wall supported
- Bi-directional audio, Broadcasting
- NAT, Socks5
- Alarm management
- Free CMS (NVR Station), supports 128 NVR simultaneously
- CMS supports 6 screens simultaneously (4 x Live viewing, 1 x E-Map, 1 x TV-Wall)

Dimensions

Units:mm



Specifications

	NVR2882-32HD	NVR2882-64HD
Video/Audio Input		
IP Camera Input	32 channel	64 channel
Resolution	8MP(4K), 6MP, 5MP, 4MP, 3MP, 1080p, UXGA, 960p, 720p, XGA, SVGA, D1, CIF, QCIF	
Compression	H.264	
Protocols	Onvif, RTSP, KEDACOM	
Incoming Bandwidth	160Mbps	320Mbps
Live Viewing		
Local Display	1 x HDMI, 1 x VGA, simultaneously output different content	
Multi Screen Display Local monitor (Main / Secondary):	1/1, 4/1, 9/1, 15/1, 16/1, 24/1, 25/1, 35/1, 36/1	1/1, 4/1, 9/1, 15/1, 16/1, 24/1, 25/1, 35/1, 36/1
Multi Screen Display Client	1+4/1, 1+8/1, 1+9/1, 1+15/1, 4/9, 9/4, 9/9, 16/16	1+4/1, 1+8/1, 1+9/1, 1+15/1, 4/9, 9/4, 9/9, 16/16, 35/35
	up to 4 screens simultaneously:	
	1, 3, 4, 9, 12, 16, 20, 25, 30, 36, 42, 49, 56, 63, 64	
	1+5, 1+7, 1+8, 1+9, 1+11, 1+15, 1+16, 1+33, 1+47, 1+48	
E-Map Function	Live Viewing in E-Map (NVR Station)	
Recording	E-PTZ / Scheme / Polling / TV-Wall (optional with decoder) / Video Stitching	
Recording		
Resolution	8MP(4K), 6MP, 5MP, 4MP, 3MP, 1080p, UXGA, 960p, 720p, XGA, SVGA, D1, CIF, QCIF	
Mode	Manual / Continuous / Schedule / Event (Pre / Post) / Video Stitching	
Event Trigger	Supported	
Tag	Supported	
Reliability	Automatic Network Replenishment (ANR)	
Search & Playback		
Search Mode	Date and time (Calendar) / Event	
Resolution	8MP(4K), 6MP, 5MP, 4MP, 3MP, 1080p, UXGA, 960p, 720p, XGA, SVGA, D1, CIF, QCIF	
Playback	Local monitor: 1 x 4K@30fps / 4 x 1080p@30fps / 16 x 720p@30fps Client: 16 x 4K@30fps	
Synchronize Playback	Local monitor: 4 x 1080p@30fps or 16 x 720p@30fps Client: 4 x 4K@30fps	
Function	Slow forward / Fast forward / Loop / Single frame / E-PTZ / Slice playback	
Storage		
Max. Internal HDDs	16 x 3.5" HDD	
External Function	Max. 96TB (up to 6TB/each) IP SAN (iSCSI), up to 10 x IP SAN, Max. 100T Disk group / Quota / Disk dormancy	
Audio		
Compression	G.711a / G.711u / ADPCM / G.722 / G.722.1c / AAC-LC	
Bit rate	32kbps ~ 64kbps	
Audio Function	Bi-directional audio / Dumb / Mute / Broadcasting	
Alarm		
Service Alarm Triggers	Alarm input / Video lost / Motion detection / Tampering / Guard line / Defocus / Sence change / Enter guard area / Exit guard area / Object left / Object removal / Gathering / Audio surge	
System Alarm Triggers	Device disconnected / No disk / Disk error / IP Address conflict / Network disconnected / Low speed / Insufficient recording space / MAC address conflict / Insufficient snapshot space	
Alarm Events	Snapshot / Recording / PTZ preset / Buzzer / Email / Link to Client / Alarm caption / Live view in first window / Link to TV Wall / Link to secondary screen / Full screen viewing	
System		
Operating System	Embedded Linux	
User Management	Admin / User	
Log Management	User login / User operation / Alarm / Backup / Update	
Application Programming	NVR Station SDK	
Network		
Network Protocols	TCP/IP, UDP, HTTP, DHCP, DNS/DDNS, RTP/RTCP, RTSP, PPPoE, FTP, SNTp, VSIP, UPNP, SMTP, IPv4, IPv6 (optional)	
Viewer Software	CMS (NVR Station) / Web / iOS app / Android app	
Max. User Access	64 Users	
Output Bandwidth	256Mbps	
Function	NAT / Socks5 / Multiple network access / Packet loss recovery / Auto network organizing	
Network Test	Supported	
Interfaces		
Ethernet	2 x Gigabit network port, RJ45 interface	
Video Out	1 x HDMI (up to 1920 x 1080@60Hz) 1 x VGA (up to 1920 x 1080@60Hz)	
Audio In / Out	1 x RCA Line in / 1 x RCA Line out	
Alarm In / Out	2 x Inputs / 2 x Outputs	
Control	2 x RS485	
USB	4 x USB 2.0	
Environmental		
Operating Temperature	-10°C ~ 55°C / 14°F ~ 131°F	
Operating Humidity	10% ~ 85%	
Electrical		
Power	100 ~ 240V AC, 50 ~ 60Hz	
Power Consumption	Max. 50W (HDD not included)	
Mechanical		
Weight	20kg / 44lb (HDD not included)	
Dimensions	483 x 500 x 156mm / 19.02" x 19.69" x 6.14"	

NVR2882-16A

16 Bay RAID Professional Network Video Recorder



Features

High-performance, High-capacity

- H.265 supported
- 4 x 4K@30fps / 16 x 1080p@30fps video decoding capability
- Up to 64 channel
- Up to 320Mbps incoming bandwidth
- 256Mbps output bandwidth
- 64 user access simultaneously
- Max. 16 HDDs up to 96TB storage
- e-SATA storage supported

Easy to install

- Automatic network organizing
- Built-in DHCP server

High reliability

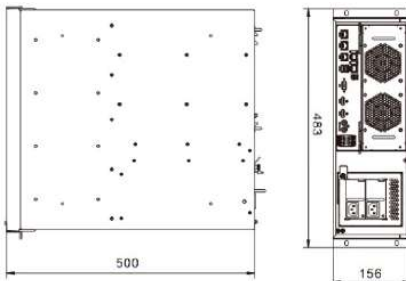
- Embedded Linux
- RAID 0/1/5/6/10
- Supports Automatic Network Replenishment (ANR)
- Supports Packet Loss Recovery (PLR)
- N+1 Hot Backup

Abundant functions and features

- HDMI/VGA simultaneously output different content
- E-Map, TV-Wall supported
- Bi-directional audio, Broadcasting
- NAT, Socks5
- Alarm management
- Free CMS (NVR Station), supports 128 NVR simultaneously
- CMS supports 6 screens simultaneously (4 x Live viewing, 1 x E-Map, 1 x TV-Wall)

Dimensions

Units:mm



Specifications

	NVR2882-16016A	NVR2882-16032A	NVR2882-16064A
Video/Audio Input	16 channel	32 channel	64 channel
IP Camera Input	8MP(4K), 6MP, 5MP, 4MP, 3MP, 1080p, UXGA, 960p, 720p, XGA, SVGA, D1, CIF, QCIF		
Resolution			
Compression	H.265 / H.264		
Protocols	Onvif, RTSP, KEDACOM		
Bit rate	64kbps ~ 16384kbps		
Incoming Bandwidth	160Mbps	320Mbps	320Mbps
Live Viewing	1 x HDMI, 1 x VGA, simultaneously output different content		
Local Display			
Multi Screen Display Local monitor (Main / Secondary):	1, 3, 4, 9, 15, 16, 1+4, 1+8, 1+9, 1+15, 1/1, 2/1, 4/1, 9/1, 15/1, 16/1, 1+4/1, 1+8/1, 1+9/1, 1+15/1, 4/9, 9/4, 9/9	1, 3, 4, 9, 15, 16, 25, 36, 1+4, 1+8, 1+9, 1+15, 1/1, 2/1, 4/1, 9/1, 15/1, 16/1, 1+4/1, 1+8/1, 1+9/1, 1+15/1, 4/9, 9/4, 9/9, 16/16	1, 3, 4, 9, 15, 16, 25, 36, 48, 64, 1+4, 1+8, 1+9, 1+15, 1/1, 2/1, 4/1, 9/1, 15/1, 16/1, 36/1, 48/1, 64/1, 1+4/1, 1+8/1, 1+9/1, 1+15/1, 4/9, 9/4, 9/9, 16/16
Multi Screen Display Client	up to 4 screens simultaneously: 1, 3, 4, 9, 12, 16, 20, 25, 30, 36, 42, 49, 56, 63, 64 1+5, 1+7, 1+8, 1+9, 1+11, 1+12, 1+13, 1+15, 1+16, 1+33, 1+47, 1+48		
E-Map Function	Live Viewing in E-Map (NVR Station)		
Recording	E-PTZ / Scheme / Polling / TV-Wall (optional with decoder) / Virtual channel		
Resolution	8MP(4K), 6MP, 5MP, 4MP, 3MP, 1080p, UXGA, 960p, 720p, XGA, SVGA, D1, CIF, QCIF		
Mode	Manual / Continuous / Schedule / Event (Pre / Post)		
Event Trigger	Supported		
Tag	Supported		
Reliability	Automatic Network Replenishment (ANR)		
Search & Playback			
Search Mode	Date and time (Calendar) / Event		
Resolution	8MP(4K), 6MP, 5MP, 4MP, 3MP, 1080p, UXGA, 960p, 720p, XGA, SVGA, D1, CIF, QCIF		
Playback (Local Monitor)	4 x 4K@30fps / 16 x 1080p@30fps		
Playback (Client)	up to 16 x 4K@30fps		
Synchronize Playback (Local Monitor)	4 x 4K@30fps / 16 x 1080p@30fps		
Synchronize Playback (Client)	4 x 4K@30fps		
Function	Slow forward / Fast forward / Loop / Single frame / E-PTZ / Slice playback		
Storage			
Max. Internal HDDs	16x 3.5" HDD		
RAID	Max. 96TB (up to 6TB/each) RAID 0/1/5/6/10		
External	IP SAN (iSCSI), up to 10 x IP SAN, Max. 100T (optional) e-SATA		
Function	Disk group / Quota / Disk dormancy		
Audio			
Compression	G.711a / G.711u / ADPCM / G.722 / G.722.1c / AAC-LC		
Bit rate	32kbps ~ 64kbps		
Audio Function	Bi-directional audio / Dumb / Mute / Broadcasting		
Alarm			
Service Alarm Triggers	Alarm input / Video lost / Motion detection / Tampering / Guard line / Defocus / Sence change / Enter guard area / Exit guard area / Object left / Object removal / Gathering / Audio surge		
System Alarm Triggers	Device disconnected / No disk / Disk error / IP Address conflict / Network disconnected / Low speed / Insufficient recording space / MAC address conflict / Insufficient snapshot space		
Alarm Events	Snapshot / Recording / PTZ preset / Buzzer / Email / Link to Client / Alarm caption / Live view in first window / Link to TV Wall / Link to secondary screen / Full screen viewing		
System			
Operating System	Embedded Linux		
User Management	Admin / User		
Log Management	User login / User operation / Alarm / Backup / Update		
Application Programming	NVR Station SDK		
Network			
Network Protocols	TCP/IP, UDP, HTTP, DHCP, DNS/DDNS, RTP/RTCP, RTSP, PPPoE, FTP, SNMP, VSIP, UPNP, SMTP, IPv4, IPv6 (optional)		
Viewer Software	CMS (NVR Station) / Web / iOS app / Android app		
Max. User Access	64 Users		
Output Bandwidth	256Mbps		
Function	NAT / Socks5 / Multiple network access / Packet loss recovery / Auto network organizing		
Network Test	Supported		
Hot Backup	N+1		
Interfaces			
Ethernet	2 x Gigabit network port, RJ45 interface		
Video Out	1 x HDMI (up to 3840 x 2160@60Hz) 1 x VGA (up to 1920 x 1080@60Hz)		
Audio In / Out	1 x RCA Line in / 1 x RCA Line out		
Alarm In / Out	2 x Inputs / 2 x Outputs		
Control	2 x RS485		
USB	2 x USB2.0, 1 x USB3.0		
e-SATA	1 x e-SATA		
Environmental			
Operating Temperature	-10°C ~ 55°C / 14°F ~ 131°F		
Operating Humidity	10% ~ 85%		
Electrical			
Power	100 ~ 240V AC, 50 ~ 60Hz		
Power Consumption	Max. 50W (HDD not included)		
Mechanical			
Weight	20kg / 44lb (HDD not included)		
Dimensions	483 x 500 x 156mm / 19.02" x 19.69" x 6.14"		

NVR2881-HD

16 Bay RAID Professional Network Video Recorder



Features

High-performance, High-capacity

- 16 x 1080p@30fps video decoding capability
- Up to 4K video supported
- Up to 128 channels
- Up to 512Mbps incoming bandwidth
- 512Mbps output bandwidth
- 64 user access simultaneously
- Max. 16 HDDs up to 96TB storage
- IP SAN storage supported

Easy to install

- Automatic network organizing
- Built-in DHCP server

High reliability

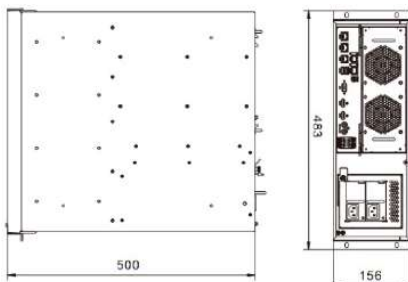
- Embedded Linux
- RAID 0/1/5/6/10
- Redundant Power Supply (optional)
- Supports Automatic Network Replenishment (ANR)
- Supports Packet Loss Recovery (PLR)
- N+1 Hot Backup

Abundant functions and features

- 3 video output simultaneously output different content
- E-Map, TV-Wall supported
- Bi-directional audio, Broadcasting
- NAT, Socks5
- Alarm management
- Free CMS (NVR Station), supports 128 NVR simultaneously
- CMS supports 6 screens simultaneously (4 x Live viewing, 1 x E-Map, 1 x TV-Wall)

Dimensions

Units:mm



Specifications

	NVR2881-32HD	NVR2881-64HD	NVR2881-128HD
Video/Audio Input			
IP Camera Input	32 channel	64 channel	128 channel
Resolution	8MP(4K), 6MP, 5MP, 4MP, 3MP, 1080p, UXGA, 960p, 720p, XGA, SVGA, D1, CIF, QCIF		3MP, 1080p, UXGA, 960p, 720p, XGA, SVGA, D1, CIF, QCIF
Compression	H.264		
Protocols	Onvif, RTSP, KEDACOM		
Incoming Bandwidth	160Mbps	320Mbps	512Mbps
Live Viewing			
Local Display	2 x HDMI, 1 x VGA, simultaneously output different content		
Multi Screen Display Local monitor (Main / Secondary / Tertiary):	1/1/1, 4/1/1, 9/1/1, 15/1/1, 16/1/1, 24/1/1, 25/1/1, 35/1/1, 1+4/1/1, 1+8/1/1, 1+9/1/1, 1+15/1/1, 4/4/4, 9/9/9, 16/16/16	1/1/1, 4/1/1, 9/1/1, 15/1/1, 16/1/1, 24/1/1, 25/1/1, 35/1/1, 36/1/1, 48/1/1, 49/1/1, 63/1/1, 64/1/1, 1+4/1/1, 1+8/1/1, 1+9/1/1, 1+15/1/1, 4/4/4, 9/9/9, 16/16/16, 4/16/16, 16/24/24	1/1/1, 4/1/1, 9/1/1, 15/1/1, 16/1/1, 24/1/1, 25/1/1, 35/1/1, 36/1/1, 48/1/1, 49/1/1, 63/1/1, 64/1/1, 1+4/1/1, 1+8/1/1, 1+9/1/1, 1+15/1/1, 4/4/4, 9/9/9, 16/16/16, 4/16/16, 16/24/24, 35/48/48
Multi Screen Display Client	up to 4 screens simultaneously: 1, 3, 4, 9, 12, 16, 20, 25, 30, 36, 42, 49, 56, 63, 64		
E-Map Function	1+5, 1+7, 1+8, 1+9, 1+11, 1+15, 1+16, 1+33, 1+47, 1+48 Live Viewing in E-Map (NVR Station)		
Recording	E-PTZ / Scheme / Polling / TV-Wall (optional with decoder)		
Resolution	8MP(4K), 6MP, 5MP, 4MP, 3MP, 1080p, UXGA, 960p, 720p, XGA, SVGA, D1, CIF, QCIF		3MP, 1080p, UXGA, 960p, 720p, XGA, SVGA, D1, CIF, QCIF
Mode	Manual / Continuous / Schedule / Event (Pre / Post)		
Event Trigger	Supported		
Tag	Supported		
Reliability	Automatic Network Replenishment (ANR)		
Search & Playback			
Search Mode	Date and time (Calendar) / Event		
Resolution	8MP(4K), 6MP, 5MP, 4MP, 3MP, 1080p, UXGA, 960p, 720p, XGA, SVGA, D1, CIF, QCIF		3MP, 1080p, UXGA, 960p, 720p, XGA, SVGA, D1, CIF, QCIF
Playback (Local Monitor)	1 x 4K@30fps / 4 x 4MP@30fps / 16 x 1080p@30fps		
Playback (Client)	16 x 4K@30fps		
Synchronize Playback (Local Monitor)	4 x 4MP@30fps / 16 x 1080p@30fps		
Synchronize Playback (Client)	4 x 4K@30fps		
Function	Slow forward / Fast forward / Loop / Single frame / E-PTZ/ Slice playback		
Storage			
Max. Internal HDDs	16 x 3.5" HDD		
RAID	Max. 96TB (up to 6TB/each) RAID 0/1/5/6/10		
External Function	IP SAN (iSCSI), up to 10 x IP SAN, Max. 100T Disk group / Quota / Disk dormancy		
Audio			
Compression	G.711a / G.711u / ADPCM / G.722 / G.722.1c / AAC-LC		
Bit rate	32kbps ~ 64kbps		
Audio Function	Bi-directional audio / Dumb / Mute / Broadcasting		
Alarm			
Service Alarm Triggers	Alarm input / Video lost / Motion detection / Tampering / Guard line / Defocus / Sence change / Enter guard area / Exit guard area / Object left / Object removal / Gathering / Audio surge		
System Alarm Triggers	Device disconnected / No disk / Disk error / IP Address conflict / Network disconnected / Low speed / Insufficient recording space / MAC address conflict / Insufficient snapshot space		
Alarm Events	Snapshot / Recording / PTZ preset / Buzzer / Email / Link to Client / Alarm caption / Live view in first window / Link to TV Wall / Link to secondary screen / Full screen viewing		
System			
Operating System	Embedded Linux		
User Management	Admin / User		
Log Management	User login / User operation / Alarm / Backup / Update		
Application Programming	NVR Station SDK		
Network			
Network Protocols	TCP/IP, UDP, HTTP, DHCP, DNS/DDNS, RTP/RTCP, RTSP, PPPoE, FTP, SMTP, VSIP, UPNP, SMTp, IPv4, IPv6 (optional)		
Viewer Software	CMS (NVR Station) / Web / iOS app / Android app		
Max. User Access	64 Users		
Output Bandwidth	512Mbps		
Function	NAT / Socks5 / Multiple network access / Packet loss recovery / Auto network organizing		
Network Test	Supported		
Hot Backup	N+1		
Interfaces			
Ethernet	3 x Gigabite network port, RJ45 interface		
Video Out	2 x HDMI (1 HDMI up to 4K x 2K, 1 HDMI up to 1920 x 1080@60Hz) 1 x VGA (up to 1920 x 1080@60Hz)		
Audio In / Out	1 x RCA Line in / 1 x RCA Line out		
Alarm In / Out	2 x Inputs / 2 x Outputs		
Control	2 x RS485		
USB	2 x USB 2.0, 2 x USB 3.0		
Environmental			
Operating Temperature	-10°C ~ 55°C / 14°F ~ 131°F		
Operating Humidity	10% ~ 85%		
Electrical			
Power	100 ~ 240V AC, 50 ~ 60Hz Redundant Power Supply (the second power is optional)		
Power Consumption	Max. 150W (HDD not included)		
Mechanical			
Weight	20kg / 44lb (HDD not included)		
Dimensions	483 x 500 x 156mm / 19.02" x 19.69" x 6.14"		

NVR2881-HDI

16 Bay Intelligent RAID Professional Network Video Recorder



Features

Intelligent

- Integrated video synopsis algorithm in NVR
- Compress recorded video into a video summary
- Grab snapshot of every moving object
- Obtain the characters of every moving object (type, color, size, direction, speed)
- Fast searching for targets by characters

High-performance, High-capacity

- 16 x 1080p@30fps video decoding capability
- 4K video output supported
- Up to 64 channels
- Up to 320Mbps incoming bandwidth
- 512Mbps output bandwidth
- 64 user access simultaneously
- Max. 16 HDDs up to 96TB storage
- IP SAN storage supported

Easy to install

- Automatic network organizing
- Built-in DHCP server

High reliability

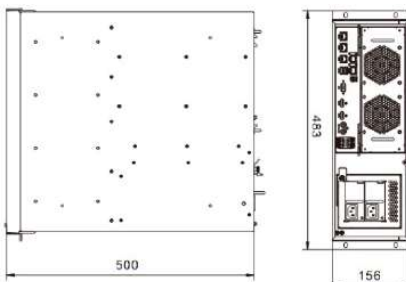
- Embedded Linux
- RAID 0/1/5/6/10
- Redundant Power Supply (optional)
- Supports Automatic Network Replenishment (ANR)
- Supports Packet Loss Recovery (PLR)

Abundant functions and features

- 3 video output simultaneously output different content
- E-Map, TV-Wall supported
- Bi-directional audio, Broadcasting
- NAT, Socks5
- Alarm management
- Free CMS (NVR Station), supports 128 NVR simultaneously
- CMS supports 6 screens simultaneously (4 x Live viewing, 1 x E-Map, 1 x TV-Wall)

Dimensions

Units:mm



Specifications

	NVR2881-32HDI	NVR2881-64HDI
Video/Audio Input		
IP Camera Input	32 channel	64 channel
Resolution	1080p, UXGA, 960p, 720p, XGA, SVGA, D1, CIF, QCIF	
Compression	H.264	
Protocols	Onvif, RTSP, KEDACOM	
Incoming Bandwidth	160Mbps	320Mbps
Live Viewing		
Local Display	2 x HDMI, 1 x VGA, simultaneously output different content	
Multi Screen Display Local monitor (Main / Secondary / Tertiary):	1/1/1, 4/1/1, 9/1/1, 15/1/1, 16/1/1, 24/1/1, 25/1/1, 35/1/1, 1+4/1/1, 1+8/1/1, 1+9/1/1, 1+15/1/1, 4/4/4, 9/9/9, 16/16/16	1/1/1, 4/1/1, 9/1/1, 15/1/1, 16/1/1, 24/1/1, 25/1/1, 35/1/1, 36/1/1, 48/1/1, 49/1/1, 63/1/1, 64/1/1, 1+4/1/1, 1+8/1/1, 1+9/1/1, 1+15/1/1, 4/4/4, 9/9/9, 16/16/16, 4/16/16, 16/24/24
Multi Screen Display Client	up to 4 screens simultaneously: 1, 3, 4, 9, 12, 16, 20, 25, 30, 36, 42, 49, 56, 63, 64 1+5, 1+7, 1+8, 1+9, 1+11, 1+15, 1+16, 1+33, 1+47, 1+48	
E-Map Function	Live Viewing in E-Map (NVR Station) E-PTZ / Scheme / Polling / TV-Wall (optional with decoder)	
Recording		
Resolution	1080p, UXGA, 960p, 720p, XGA, SVGA, D1, CIF, QCIF	
Mode	Manual / Continuous / Schedule / Event (Pre / Post)	
Event Trigger	Supported	
Tag	Supported	
Reliability	Automatic Network Replenishment (ANR)	
Search & Playback		
Search Mode	Date and time (Calendar) / Event	
Resolution	1080p, UXGA, 960p, 720p, XGA, SVGA, D1, CIF, QCIF	
Local monitor:	16 x 1080p@30fps	
Client:	16 x 1080p@30fps	
Synchronize Playback	Local monitor: 16 x 1080p@30fps Client: 4 x 1080p@30fps	
Function	Slow forward / Fast forward / Loop / Single frame / E-PTZ/ Slice playback	
Storage		
Max. Internal HDDs	16 x 3.5" HDD	
RAID	Max. 96TB (up to 6TB/each) RAID 0/1/5/6/10	
External	IP SAN (iSCSI), up to 10 x IP SAN, Max. 100T	
Function	Disk group / Quota / Disk dormancy	
Audio		
Compression	G.711a / G.711u / ADPCM / G.722 / G.722.1c / AAC-LC	
Bit rate	32kbps ~ 64kbps	
Audio Function	Bi-directional audio / Dumb / Mute / Broadcasting	
Alarm		
Service Alarm Triggers	Alarm input / Video lost / Motion detection / Tampering / Guard line / Defocus / Sence change / Enter guard area / Exit guard area / Object left / Object removal / Gathering / Audio surge	
System Alarm Triggers	Device disconnected / No disk / Disk error / IP Address conflict / Network disconnected / Low speed / Insufficient recording space / MAC address conflict / Insufficient snapshot space	
Alarm Events	Snapshot / Recording / PTZ preset / Buzzer / Email / Link to Client / Alarm caption / Live view in first window / Link to TV Wall / Link to secondary screen / Full screen viewing	
Intelligent		
Video Synopsis	Supported	
Analytic Snapshot	Supported	
System		
Operating System	Embedded Linux	
User Management	Admin / User	
Log Management	User login / User operation / Alarm / Backup / Update	
Application Programming	NVR Station SDK	
Network		
Network Protocols	TCP/IP, UDP, HTTP, DHCP, DNS/DDNS, RTP/RTCP, RTSP, PPPoE, FTP, SNTp, VSIP, UPNP, SMTP, IPv4, IPv6 (optional)	
Viewer Software	CMS (NVR Station) / Web / iOS app / Android app	
Max. User Access	64 Users	
Output Bandwidth	512Mbps	
Function	NAT / Socks5 / Multiple network access / Packet loss recovery / Auto network organizing	
Network Test	Supported	
Interfaces		
Ethernet	3 x Gigabit network port, RJ45 interface	
Video Out	2 x HMDI (1 HDMI up to 4K x 2k, 1 HDMI up to 1920 x 1080@60Hz) 1 x VGA (up to 1920 x 1080@60Hz)	
Audio In / Out	1 x RCA Line in / 1 x RCA Line out	
Alarm In / Out	2 x Inputs / 2 x Outputs	
Control	2 x RS485	
USB	2 x USB 2.0, 2 x USB 3.0	
Environmental		
Operating Temperature	-10°C ~ 55°C / 14°F ~ 131°F	
Operating Humidity	10% ~ 85%	
Electrical		
Power	100 ~ 240V AC, 50 ~ 60Hz	
Power Consumption	Redundant Power Supply (the second power is optional) Max. 150W (HDD not included)	
Mechanical		
Weight	20kg / 44lb (HDD not included)	
Dimensions	483 x 500 x 156mm / 19.02" x 19.69" x 6.14"	

KDM2801H-G2

VMS - Video Management System



Features

High-performance, High-capacity

- Up to 1000 channel per unit
- Max. 640Mbps incoming bandwidth
- Max. 640Mbps output bandwidth
- Up to 1000 users access simultaneously
- 8-level cascade
- 32 devices stack per level

High reliability

- Embedded Linux
- Supports Packet Loss Recovery (PLR)
- N+1 Hot Backup

Abundant functions and features

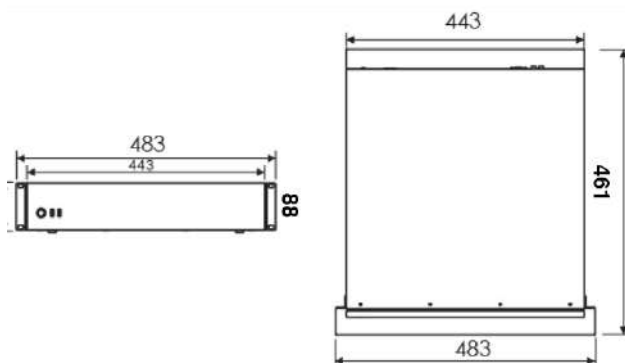
- E-Map, TV-Wall supported
- Bi-directional audio
- NAT, Socks5
- Alarm management
- Free Client (CU client)

Specifications

	KDM2801H-G2
Capacity	
Access	1000 Channel
Stack	32 devices per level, up to 3000 Channel
Cascade	8-level, up to 20000 Channel
Incoming Bandwidth	Max. 640Mbps
Output Bandwidth	Max. 640Mbps
Live Viewing	
Multi Screen Display	up to 64 multi-window
E-Map	Live Viewing in E-Map
Function	E-PTZ / Scheme / Polling / TV-Wall (optional with decoder)
Recording	
Mode	Manual / Continuous / Schedule / Event (Pre / Post)
Event Trigger	Alarm input / Video lost / Motion Detection
Search & Playback	
Search Mode	Date and time (Calendar) / Event
Playback Mode	Single Playback / Multi Playback / Synchronize Playback
Function	Slow forward / Fast forward / Loop / Single Frame / E-PTZ
Storage	
External	IP SAN (iSCSI), up to 31 x IP SAN
Video	
Compression	H.265 / H.264 / MPEG4
Image Resolution	QXGA, 1080p, UXGA, 960p, 720p, XGA, SVGA, D1, CIF, QCIF
Frame Rate	1 ~ 30fps
Bitrate	64kbps ~ 8Mbps
Audio	
Compression	G.711a / G.711u / ADPCM / G.722 / G.722.1c / AAC-LC
Bitrate	32kbps ~ 64kbps
Alarm	
Alarm Triggers	Alarm input / Video lost / Motion Detection / Disk alarm
Alarm Events	Snapshot / Recording / PTZ preset / Alarm out / Buzzer / Link to Client / Alarm caption
System	
Operating System	Embedded Linux
User Management	Super admin / Admin / User
Log Management	User login / User operation / Device / Alarm / Backup
Network	
Network Protocols	SIP, TCP/IP, UDP, HTTP, DHCP, DNS/DDNS, RTP/RTCP, RTSP, FTP, SNMP, VSIP
Viewer Software	CU Client
Max. User Access	1000 Users
Protocols	ONVIF, GB/T 28181-2011
Application Programming	CU SDK
Function	NAT / Socks5 / Multiple network access / Packet loss recovery
Hot Backup	N+1
Interfaces	
Ethernet	2 x Gigabit network port, RJ45 interface
USB	4 x USB2.0
Control	1 x RS485
Video Out	1 x VGA, for debug only
Internal	2 x USB2.0, for USB license dongle
Environmental	
Operating Temperature	0°C ~ 55°C / 32°F ~ 131°F
Operating Humidity	10% ~ 90%
Electrical	
Power	100 ~ 240V AC, 50 ~ 60Hz
Power Consumption	Max. 25W
Mechanical	
Weight	13kg / 28.66lb (Gross Weight)
Dimensions	443 x 461 x 88mm / 17.44" x 18.15" x 3.46"

Dimensions

Units:mm



KDM2802A-G2

High-capacity VMS - Video Management System



Features

High-performance, High-capacity

- Up to 5000 channel per unit
- Max. 640Mbps incoming bandwidth
- Max. 640Mbps output bandwidth
- Up to 1000 users access simultaneously
- 8-level cascade
- 32 devices stack per level

High reliability

- Embedded Linux
- Supports Packet Loss Recovery (PLR)
- Redundant Power Supply
- N+1 Hot Backup

Abundant functions and features

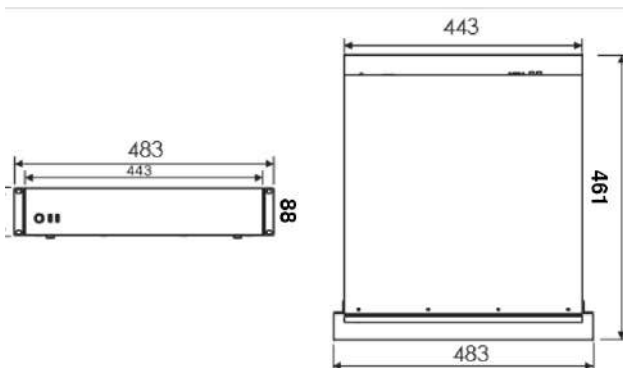
- E-Map, TV-Wall supported
- Bi-directional audio
- NAT, Socks5
- Alarm management
- Free Client (CU client)

Specifications

	KDM2802A-G2
Capacity	
Access	5000 Channel
Stack	32 devices per level, up to 15000 Channel
Cascade	8-level, up to 50000 Channel
Incoming Bandwidth	Max. 640Mbps
Output Bandwidth	Max. 640Mbps
Live Viewing	
Multi Screen Display	up to 64 multi-window
E-Map	Live Viewing in E-Map
Function	E-PTZ / Scheme / Polling / TV-Wall (optional with decoder)
Recording	
Mode	Manual / Continuous / Schedule / Event (Pre / Post)
Event Trigger	Alarm input / Video lost / Motion Detection
Search & Playback	
Search Mode	Date and time (Calendar) / Event
Playback Mode	Single Playback / Multi Playback / Synchronize Playback
Function	Slow forward / Fast forward / Loop / Single Frame / E-PTZ
Storage	
External	IP SAN (iSCSI), up to 31 x IP SAN
Video	
Compression	H.265 / H.264 / MPEG4
Image Resolution	QXGA, 1080p, UXGA, 960p, 720p, XGA, SVGA, D1, CIF, QCIF
Frame Rate	1 ~ 30fps
Bitrate	64kbps ~ 8Mbps
Audio	
Compression	G.711a / G.711u / ADPCM / G.722 / G.722.1c / AAC-LC
Bitrate	32kbps ~ 64kbps
Alarm	
Alarm Triggers	Alarm input / Video lost / Motion Detection / Disk alarm
Alarm Events	Snapshot / Recording / PTZ preset / Alarm out / Buzzer / Link to Client / Alarm caption
System	
Operating System	Embedded Linux
User Management	Super admin / Admin / User
Log Management	User login / User operation / Device / Alarm / Backup
Network	
Network Protocols	SIP, TCP/IP, UDP, HTTP, DHCP, DNS/DDNS, RTP/RTCP, RTSP, FTP, SNTIP, VSIP
Viewer Software	CU Client
Max. User Access	1000 Users
Protocols	ONVIF, GB/T 28181-2011
Application Programming	CU SDK
Function	NAT / Socks5 / Multiple network access / Packet loss recovery
Hot Backup	N+1
Interfaces	
Ethernet	3 x Gigabit network port, RJ45 interface
USB	4 x USB2.0
Control	1 x RS485
Video Out	1 x VGA, for debug only
Internal	2 x USB2.0, for USB license dongle
Environmental	
Operating Temperature	0°C ~ 55°C / 32°F ~ 131°F
Operating Humidity	10% ~ 90%
Electrical	
Power	100 ~ 240V AC, 50 ~ 60Hz
Power Consumption	Redundant Power Supply Max. 80W
Mechanical	
Weight	15kg / 33.07lb (Gross Weight)
Dimensions	443 x 461 x 88mm / 17.44" x 18.15" x 3.46"

Dimensions

Units:mm



VS200G

16 Bay IP SAN



Features

High-performance, High-capacity

- Max. 500Mbps recording rate
- Max. 16 HDDs up to 96TB storage

High reliability

- Embedded Linux
- RAID 0/1/5/6/10, RAID X
- HDD hot spare
- Redundant Power Supply
- HDD hot-swap
- Ethernet trunk

Abundant functions and features

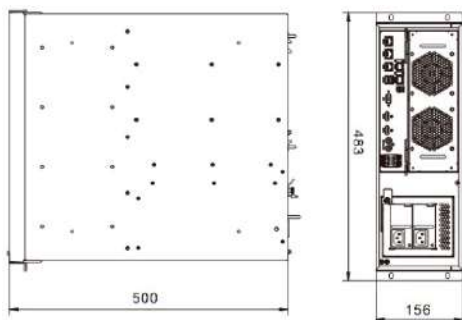
- Multiple units management
- Alarm management
- Modular architecture

Specifications

	VS200G
General	
Disk Interface	SATA: 1TB, 2TB, 3TB, 4TB, 6TB
RAID	RAID0,1,5,6,10, RAID X
HDD Hot-swap	Supported
Max. Internal HDDs	16 x 3.5" HDD
	Max. 96TB (up to 6TB/each)
Storage Management	
Recording rate	500Mbps
Disk management	S.M.A.R.T. (Self-Monitoring, Analysis and Reporting)
Device Management	
Management	Web-based GUI, Multiple units management
Alarm	Sound, LED, Email, GUI Warning
Network	
Network Protocols	TCP/IP, UDP, HTTP, FTP, IPv4, iSCSI, NAS, NRU
Trunk	Supported
Interfaces	
Ethernet	3 x Gigabit network port, RJ45 interface
Output	VGA output for debugging
USB	2 x USB3.0, for keyboard or user data backup
Environmental	
Operating Temperature	10°C ~ 35°C / 50°F ~ 95°F
Operating Humidity	10% ~ 90%
Electrical	
Power	100 ~ 240V AC, 50 ~ 60Hz
	Redundant Power Supply
Power Consumption	Max. 216W (HDD not included)
Mechanical	
Weight	Approx.20kg (HDD not included, redundant power supply)
Dimensions	156 x 483 x 500mm / 6.14" x 19.02" x 19.69"

Dimensions

Units:mm



KDM201

Video Decoder Unit



Features

High-performance, High-capacity

- Max. 16 x 4K@30fps / 72 x 1080p@30fps / 144 x 720p@30fps decoder per unit
- H.264 / H.265

Easy to deploy

- Modular architecture, 8 slots
- Rack-mounted
- Different decoder modules supported

Easy to install

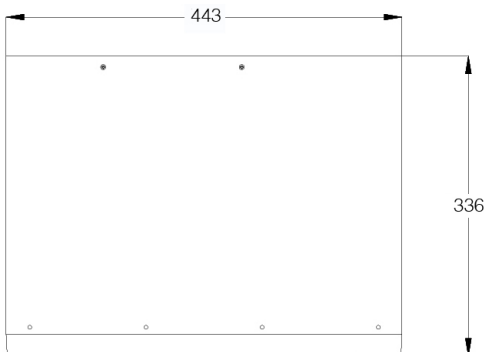
- Built-in Web Server, easy to manage and configure

Abundant functions and features

- Bi-directional audio

Dimensions

Units:mm



Specifications

	KDM201 Decoder Module Chassis
Interfaces	
Slots	8
Ethernet	1 x Gigabit network port, RJ45 interface
Environmental	
Operating Temperature	-10°C ~ 40°C / 14°F ~ 104°F
Operating Humidity	10% ~ 90%
Electrical	
Power	100 ~ 240V AC, 50 ~ 60Hz
Power Consumption	Max. 250W
Mechanical	
Weight	8kg / 21.43lb (Gross Weight)
Dimensions	443 x 336 x 88mm / 17.44" x 13.23" x 3.46"
	KDM201-D02E UHD Decoder Module
Video	
Compression	H.264 / H.265
Image Resolution	8MP(4K), 4MP, QXGA, 1080p, UXGA, 960p, 720p, XGA, SVGA, D1, CIF
Multichannel	2 channel output: 1 x 4K / 2 x 4MP / 4 x 1080p / 9 x 720p / 16 x D1 by each channel 1 channel output (disable other video output): 2 x 4K / 4 x 4MP / 9 x 1080p / 16 x 720p
Layout	1, 2, 3, 4, 9, 16
Frame Rate	1 ~ 60fps
Bitrate	64kbps ~ 36Mbps
Audio	
Compression	G.711a / G.711u / ADPCM / G.722 / G.722.1c / AAC-LC / AMR
Bitrate	8kbps ~ 64kbps
Interfaces	
Video Out	2 x HDMI (up to 3840 x 2160) 1 x VGA (up to 1920 x 1080)
Audio In / Out	1 x 3.5mm Line in, 1 x 3.5mm Line out
Control	1 x RS485
User Interface	Web / NVR / NVR Station client / VMS client KDM201-D01F HD Decoder Module
Video	
Compression	H.264
Image Resolution	QXGA, 1080p, UXGA, 960p, 720p, XGA, SVGA, D1, CIF, QCIF
Multichannel	1 x QXGA / 2 x 1080p / 4 x 720p / 9 x D1 / 16 x CIF
Layout	1, 2, 4, 9, 16
Frame Rate	1 ~ 60fps
Bitrate	64kbps ~ 8Mbps
Audio	
Compression	G.711a / G.711u / ADPCM / G.722 / AAC-LC / AMR
Bitrate	92kbps ~ 64kbps
Interfaces	
Video Out	1 x HDMI, 1 x VGA, 1 x BNC
Audio In / Out	1 x 3.5mm Mic in, 1 x 3.5mm Line in, 1 x 3.5mm Line out
Control	1 x RS232, 1 x RS485
User Interface	Web / NVR / NVR Station client / VMS client KDM201-D04F HD Decoder Module
Video	
Compression	H.264
Image Resolution	QXGA, 1080p, UXGA, 960p, 720p, XGA, SVGA, D1, CIF, QCIF
Multichannel	2 x QXGA / 4 x 1080p / 8 x 720p / 16 x D1 / 64 x CIF
Layout	1, 2, 4, 9, 16
Frame Rate	1 ~ 60fps
Bitrate	64kbps ~ 8Mbps
Audio	
Compression	G.711a / G.711u / ADPCM / G.722 / AAC-LC / AMR
Bitrate	92kbps ~ 64kbps
Interfaces	
Video Out	4 x HDMI
Audio In / Out	1 x 3.5mm Line in, 1 x 3.5mm Line out
Control	1 x RS232, 1 x RS485
User Interface	Web / NVR / NVR Station client / VMS client

IPA102

Network Video Adapter



Features

Mini size

- 0.2kg / 0.54lb
- 120 x 64 x 24mm / 4.72" x 2.52" x 0.94"

Easy to install

- Built-in Web Server, easy to manage and configure

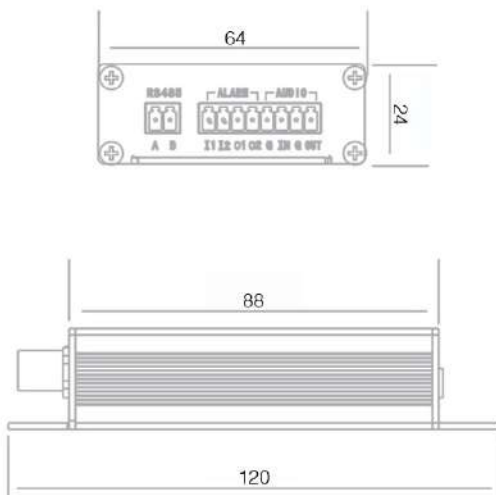
Abundant functions and features

- H.264 high profile video codec, saves up to 30% bandwidth and storage
- Dual-stream
- TF card slot, supports Automatic Network Replenishment (ANR)
- Bi-directional audio / alarm in and out / RS485

Specifications

	IPA102
Video	
Compression	H.264
Image Resolution	D1, CIF, QCIF
Frame Rate	1 ~ 25fps
Bitrate	64kbps ~ 4Mbps
Audio	
Compression	G.711 / ADPCM
Bitrate	32kbps ~ 64kbps
Network	
Network Protocols	TCP/IP, ARP, ICMP, FTP, DNS/DDNS, RTP/RTCP, RTSP, PPPoE, FTP, NTP, SNMP
User Interface	Web
Interfaces	
Ethernet	10/100M, RJ45 interface
Audio In / Out	1 x Line in / 1 x Line out
Control	1 x RS485
Alarm In / Out	1 x Input / 1 x Output
Video In	1 x BNC
Memory Slot	TF card slot
Environmental	
Operating Temperature	-20°C ~ 60°C / -4°F ~ 140°F
Operating Humidity	10% ~ 90%
Electrical	
Power	12V DC
Power Consumption	Max. 4W
Mechanical	
Weight	0.2kg / 0.54lb (Gross Weight)
Dimensions	120 x 64 x 24mm / 4.72" x 2.52" x 0.94"

Dimensions Units:mm



IPW200-P1BD

Body Worn Surveillance Phone



Features

High Level Protection

- IP67, adaptive to various environments
- 1.5 meters drop shock protection

Excellent Video Transmission

- KWTP protocol for 3G / 4G / Wi-Fi transmission, improve the video stream continuity under unstable network
- H.264 high profile video codec, saves up to 30% bandwidth and storage

Various Camera

- 13MP main camera + 8MP front camera
- Optional extendable camera types (button, badge, ear-hook)
- Optional DV adaptor, supports HDMI video input

High Performance

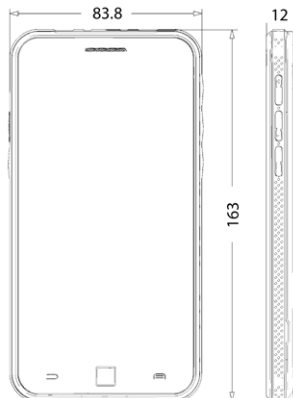
- Qualcomm 8 core 1.5GHz processor
- High definition and smooth picture, 1080p@30fps
- Supports all kinds of mobile network
- Supports dual SIM dual standby

Abundant functions and features

- Android 5.0 OS, supports third party app
- 5.5" 1080p HD IPS screen display
- Supports location function by GPS, GLONASS, Beidou

Dimensions

Units:mm



Specifications

	IPW200-P1BD
System	
Operating System	Android 5.0 64bit OS
Processor	Qualcomm 8 core 1.5GHz
RAM	2GB
Video	
Compression Format	H.264
Image Resolution	Main stream: 1080p Secondary stream: D1
Frame Rate	Main stream: 1080p@30fps Secondary stream: D1@25fps
Bitrate	64Kbps ~ 8Mbps
Dual Streams	Supported
Caption	Date&Time / Customized
Audio	
Compression Format	G.711a / G.7221c / ADPCM / AMR
Coding Rate	12Kbps ~ 64Kbps
Audio Function	Bi-directional audio / AEC / Mixed audio recording / Dumb / Mute
Display	
Size	5.5"
Resolution	1920 x 1080
Technology	IPS screen, visible under the sun
Touch Screen	5 point touch, supports gloves mode
Camera	
Main Camera	13MP, Auto focus, Flashlight, Snapshot
Front Camera	8MP
Network	
2G	GSM: B2 / B3 / B5 / B8 CDMA: BC0
3G	WCDMA: B1 / B2 / B5 / B8 TD-SCDMA: B34 / B39 EVDO: BC0
4G	FDD-LTE: B1 / B3 / B7 TD-LTE: B38 / B39 / B40 / B41
Wi-Fi	802.11 b/g/n 2.4G
Bluetooth	Bluetooth 4.0
NFC	Supported
Location Technology	GPS, GLONASS, Beidou
Storage	
ROM	16G
External Memory	MicroSD (up to 128G)
Interface	
Shortcut Button	PTT, Alarm
Audio In / Out	Built-in Mic, Built-in Speaker, 1 x 3.5mm Stereo Earjack
SIM	2 x Micro SIM slot
Extension	1 x Private extension interface
USB	1 x Micro USB2.0
Protection	
Ingress Protection Rating	IP67
Shock Protection	1.5 meters drop
Battery	
Capacity	4000mAh
Replaceable	Supported
Built-in Camera Usage Time (Hours)	4G (on) Screen on: Up to 5h Screen off: Up to 8h WIFI (on) Screen on: Up to 4h Screen off: Up to 7h 4G (off) / WIFI (off) Screen on: Up to 6h Screen off: Up to 10.5h
External Camera (720p) Usage Time (Hours)	4G (on) Screen on: Up to 2.3h Screen off: Up to 2.8h WIFI (on) Screen on: Up to 2.1h Screen off: Up to 2.5h 4G (off) / WIFI (off) Screen on: Up to 2.4h Screen off: Up to 2.9h
External Camera (1080p) Usage Time (Hours)	4G (on) Screen on: Up to 1.1h Screen off: Up to 1.4h WIFI (on) Screen on: Up to 1h Screen off: Up to 1.3h 4G (off) / WIFI (off) Screen on: Up to 1.2h Screen off: Up to 1.4h
Mechanical	
Weight	237.7g (including battery)
Dimensions	163mm x 83.8 x 12mm
Accessories	
Standard	Power adapter, USB cable, Battery, Headset
Optional	Additional battery, External battery module, Button / Badge camera, Ear-hook camera, DV adaptor

DSJ-U1

Body Worn Camera



Features

High Level Protection

- IP67, adaptive to various environments
- 2 meters drop shock protection

Excellent Video Transmission

- KWTP protocol for 3G / 4G / Wi-Fi transmission, improves the video stream continuity under unstable network
- H.264 high profile video codec, saves up to 30% bandwidth and storage

High Quality Image

- 13MP wide-angle high resolution camera
- Night view with LED and IR
- High definition and smooth picture, 1080p@25fps
- Optional extendable camera types (button, badge, ear-hook)

High Performance

- Qualcomm 8 core 1.5GHz processor
- Supports all kinds of 3G / 4G network

Abundant functions and features

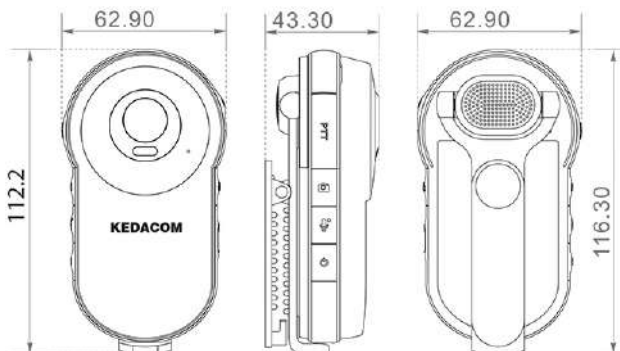
- 2.2" touch screen display
- Various shortcut button
- Supports location function by GPS, GLONASS, Beidou
- Supports external memory

Specifications

	DSJ-U1-W	DSJ-U1-L
System		
Operating System	Deep customized Android OS	
Processor	Qualcomm 8 core 1.5GHz	
Application System	Customized law-enforcing recording software system	
RAM	2GB	
Video		
Compression Format	H.264	
Image Resolution	Main stream: 1080p Secondary stream: D1	
Frame Rate	Main stream: 1080p@25fps Secondary stream: D1@25fps	
Bitrate	64Kbps ~ 8Mbps	
Dual Streams	Supported	
Caption	Date&Time / Customized	
Audio		
Compression Format	G.711a / G.722c / ADPCM / AACLC	
Coding Rate	32Kbps ~ 64Kbps	
Audio Function	Bi-directional audio / AEC / Dumb / Mute	
Display		
Size	2.2"	
Technology	Visible under the sun	
Touch Screen	Supported	
Camera		
Angle of View	Diagonal 150°, Horizontal 110°	
Resolution	13MP	
Night View	2 white LED, 2 IR LED, 15M Infrared Distance	
Network		
3G	Not supported	WCDMA: B1 / B2 / B5 / B8 TD-SCDMA: B34 / B39 EVDO: BC0
4G	Not supported	FDD-LTE: B1 / B3 / B7 TD-LTE: B38 / B39 / B40 / B41
Wi-Fi	802.11 a/b/g/n 2.4G+5GHz	
Bluetooth	Bluetooth 4.0	
NFC	Not supported	Supported
Location Technology	GPS, GLONASS, Beidou	
Storage		
ROM	16G	32G
External Memory	MicroSD (up to 128G)	
Interface		
Shortcut Button	PTT, Power on/off, Video recording, Audio recording, Snapshot, Event tag	
SIM	Not supported	1 x Micro SIM slot
USB	1 x Micro USB2.0	
Protection		
Ingress Protection Rating	IP67	
Shock Protection	2 meters drop	
Battery		
Capacity	2700mAh	
Replaceable	Supported	
Standby Time (Hours)	Up to 48h	
Built-in Camera Usage Time (Hours)	Up to 6h	
Mechanical		
Weight	206g (including battery)	
Dimensions	112.2mm x 61.8mm x 29.4mm	
Accessories		
Standard	Power adapter, USB cable, Battery	
Optional	Additional battery, Button / Badge camera, Ear-hook camera	

Dimensions

Units:mm



USBCAM-100

Button Camera



Specifications

USBCAM-100	
Standard	USBCAM-100
Interface	Micro USB2.0
Resolution	720p@30fps
WDR	83.5dB
Audio	Built-in mic
Lens	
Iris	F2.8
Focal Length	6.2mm
Angle of View	Diagonal 52°, Horizontal 40°, Vertical 30°
Protection	
Ingress Protection Rating	IP66
Mechanical	
Weight	30g
Dimensions	65mm × 26mm × 24mm

USBCAM-200

Ear-hook Camera



Specifications

USBCAM-200	
Standard	USBCAM-200
Interface	Micro USB2.0
Resolution	720p@30fps
WDR	69dB
Audio	Built-in mic and earphone
Lens	
Iris	F2.2
Focal Length	2.3mm
Angle of View	Diagonal 100°, Horizontal 84°, Vertical 55°
Protection	
Ingress Protection Rating	IP66 (optional)
Mechanical	
Weight	40g
Dimensions	100mm × 75mm × 15mm

KDM2410M-V21

Vehicle NVR / Wireless Mobile Encoder



Features

Excellent Video Transmission

- KWTP protocol for 3G / 4G transmission, improves the video stream continuity under unstable network
- H.265 video codec, saves up to 50% bandwidth and storage

High Reliability

- Embedded Linux
- Low power consumption
- Aviation plug design for Ethernet, video, audio, control signal and power supply
- Fan-less design with heat dissipation shell
- Shock-proof design, protects the HDD while vehicle is being driven

Easy to Use

- Pluggable HDD drawer, easy to change HDD module
- HDD module support USB interface, easy to backup record

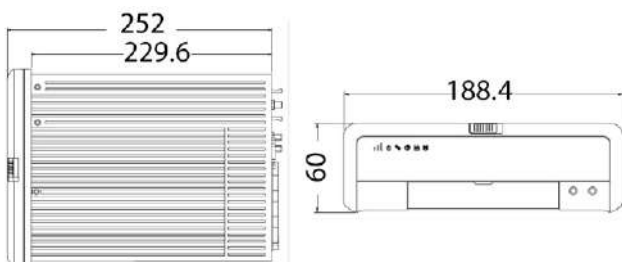
Abundant functions and features

- 4 Channel IP Camera + 4 Channel Analog Camera access
- Built-in Wi-Fi AP module, can access Wi-Fi IP camera and PAD
- All mobile networks supported
- Built-in GPS module
- Support 2 SIM card bundle

Specifications

	KDM2410M-V21
Camera Input	
IP Camera	4 Channel
Analog Camera	4 Channel
Video	
Compression Format	H.265 / H.264
Resolution	4MP, 1080p, 720p, D1, CIF, QCIF
Dual Stream	Supported
Video Frame Rate	1 ~ 30fps
Bitrate	64Kbps ~ 4Mbps
Audio	
Compression Format	G.711a / G.711u / ADPCM / AMR / G.722.1c / AAC-LC
Bit rate	24Kbps ~ 64Kbps
Audio Function	Bi-directional audio / AEC / Mute / Dumb / Remix
Storage	
HDD	1 x 2.5" hard disk (hard disk drawer), Max. 4TB
Memory Slot	SD slot, supports up to 128GB
Network	
Network Protocol	TCP/IP, ARP, FTP, TELNET, HTTP, RTP/RTCP, SNTP, VSIP, KWTP, IPv4, IPv6 (optional)
Function	NAT / Multiple network access / Packet loss recovery
Wireless	3G (optional) / 4G (optional) / Wi-Fi
	FDD-LTE: B1 / B2 / B3 / B5 / B7 / B8 / B20
	TDD-LTE: B38 / B39 / B40 / B41
3G / 4G Frequency Band	HSPA / UMTS: 850 / 900 / 1800 / 1900 / 2100MHz
	GSM / GPRS / EDGE: 850 / 900 / 1800 / 1900MHz
	TD-SCDMA: B34 / B39
	EVDO/CDMA: BC0 / BC1
Wi-Fi	802.11b/g/n 2.4G, Wi-Fi AP
Location Technology	GPS, GLONASS (optional), Beidou (optional)
Interfaces	
Ethernet	1 x RJ45, 10Base-T/100Base-TX
Audio In / Out	1 x Mic in, 1 x Mic out
	4 x 10 pin: 4 x Video input / 4 x Audio input, 4 x DC12V / 1A Output, 4 x RJ45
Aviation Plug	1 x 4 pin: Power supply for PTZ Camera
	1 x 10 pin: Video output
	1 x 9 pin: Power input 9 ~ 36V DC
Alarm In / Out	4 x Input / 1 x Output
Control	1 x RS485, 1 x RS232
Antenna	1 x Wi-Fi Antenna interface, 1 x GPS Antenna interface
Extension	3 x Extension module slot (supports 3G / 4G module, GLONASS / Beidou module)
Environmental	
Operating Temperature	-40°C ~ 70°C / -40°F ~ 158°F
Operating Humidity	10% ~ 85%
Elevation	-60m ~ 5000m
Electrical	
Power	9 ~ 36V DC wide range input
Power Consumption	12V DC input
Mechanical	
Weight	2.45kg
Dimension	252mm x 188.4mm x 60mm
Accessories	
Standard	1 x Wi-Fi Antenna, 1 x GPS Antenna, 7 x Aviation plug connector cable, 1 x USB cable
Optional	3G / 4G Module, Mounting Box, HDD Box, Android Pad

Dimensions Units:mm



IPC521-H120-N

2.0MP 20x Vehicle PTZ Camera



Features

Excellent Image Quality

- 2.0 Megapixel 1/2.8" Progressive Scan CMOS Sensor
- High definition and smooth picture, 1080p@60fps
- H.265 video codec, saves up to 50% bandwidth and storage
- Ultra low illumination, 0.003lux with color picture
- IR automatically adjusts
- 120dB Ultra WDR
- 3D noise reduction / HLC / BLC

Long Operation Lifespan

- Industrial components, withstands operation temperatures of -40°C ~ 70°C
- IP66, TVS 6000V lightning protection, surge protection and voltage transient protection

Large Scale

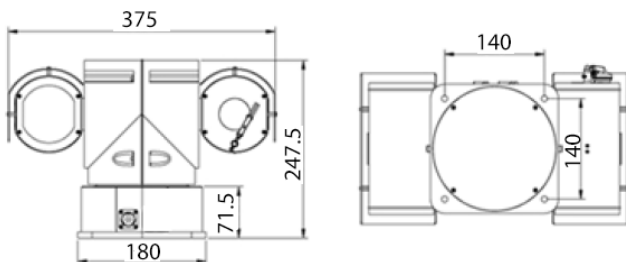
- 20x optical zoom
- IR distance up to 200m

Abundant functions and features

- Wiper supported
- Vehicle based PT structure

Dimensions

Units:mm



Specifications

IPC521-H120-N	
Camera	
Image Sensor	1/2.8" Progressive Scan CMOS
Pixels	2.0 Megapixel
Min. Illumination	Color: 0.003lux @ (F1.6, AGC ON) B/W: 0.0003lux @ (F1.6, AGC ON); 0lux with IR
Shutter Speed	1 ~ 1/30,000S
Day / Night	Auto (ICR) / Color / B/W
Wide Dynamic Range	Ultra WDR, 120dB
S/N Ratio	>55dB
White Balance	Auto / Manual
Gain Control	Auto / Manual
Backlight Compensation	Off / WDR / BLC / HLC
Lens	
Focal Length	4.7 ~ 94mm, 20x optical
Zoom Speed	Approx 3s (Optical)
Angle of View	54.1° ~ 2.9° (Wide~Tele)
Min. Object Distance	300 ~ 1500mm (Wide~Tele)
Max. Aperture Ratio	F1.6 (Wide) / F3.5 (Tele)
Focus Control	Auto / Manual / Semi-Automatic
Infrared	
IR LED	8pcs IR LED Array
IR Distance	150 ~ 200m
IR Intensity	Automatically adjust according to zoom ratio
Pan and Tilt	
Pan / Tilt Range	360° Endless / -85° ~ 85° (Auto Flip)
Pan / Tilt Speed	Pan manual speed: 0.1° ~ 80°/s; Pan preset speed: 120°/s Tilt manual speed: 0.1° ~ 60°/s; Tilt preset speed: 100°/s
Proportional Zoom	Pan / Tilt speed can be adjusted automatically according to zoom multiples
Preset	256
Patrol	8 Patrols scheme, up to 32 presets per patrol
Pattern Scan	4 Scan paths, each path can record 10 minutes of operation path
Power-off Memory	Power-off memory / Power-on recovery
Auto Guard	Path / Preset / Mixed / Pan scan / Tilt scan / Frame scan / Random scan / Panorama scan
PT Limit	Manual / Scan / Pan
3D Positioning	PTZ control with mouse click and drag
Wiper	Supported
Video	
Compression Format	H.265 / H.264 / MJPEG
Image Resolution	Main stream: 1080p Secondary stream: D1
Frame Rate	Main stream: 1080p@60fps Secondary stream: D1@30fps
Bitrate	32kbps ~ 16Mbps
Bitrate Control	VBR / CBR
Multi Stream	Supported
Caption	Date&Time / Alarm / Direction / Customized
Privacy Masking	Up to 4 zones
Motion Detection	Up to 4 zones
Video Freeze	Supported
ROI	Supported
Digital Noise Reduction	3D noise reduction
Digital Defog	Supported
Image Flip	Flip / Mirror
Network	
Network Protocol	TCP/IP, UDP, HTTP, DHCP, DNS/DDNS, RTP/RTCP, RTSP, PPPoE, FTP, VSIP, UPnP, 802.1x, NAT, QoS, SMTP, IPv4, IPv6 (optional)
User Interface	IPC Control (IE, Firefox, Chrome)
Max. User Access	10 Users (include 2 internal access)
Application Program	Onvif (Profile S, Profile G), GB/T 28181-2011, API, CGI
Alarm	
Alarm Triggers	Network disconnect
Alarm Events	Alarm report / Text overlay / Email notice
Interfaces	
Ethernet	10/100M, RJ45 interface
Environmental	
Operating Temperature	-40°C ~ 70°C / -40°F ~ 158°F
Operating Humidity	10% ~ 95%
Protection Level	IP66, TVS 6000V lightning protection, surge protection and voltage transient protection
Electrical	
Power	9 ~ 36V DC, wide range voltage input
Power Consumption	Max. 60W (IR on)
Mechanical	
Weight	7Kg / 15.44lb (Gross Weight)
Dimensions	180mm × 375mm × 247.5mm / 7.09" × 14.77" × 9.75"

IPC521-F233-N

2.0MP 33x Vehicle PTZ Camera



Features

Excellent Image Quality

- 2.0 Megapixel 1/3" Progressive Scan CMOS Sensor
- High definition and smooth picture, 1080p@30fps
- H.265 video codec, saves up to 50% bandwidth and storage
- Ultra low illumination, 0.003lux with color picture
- IR automatically adjusts
- 120dB Ultra WDR
- 3D noise reduction / HLC / BLC

Long Operation Lifespan

- Industrial components, withstands operation temperatures of -40°C ~ 70°C
- IP66, TVS 6000V lightning protection, surge protection and voltage transient protection

Large Scale

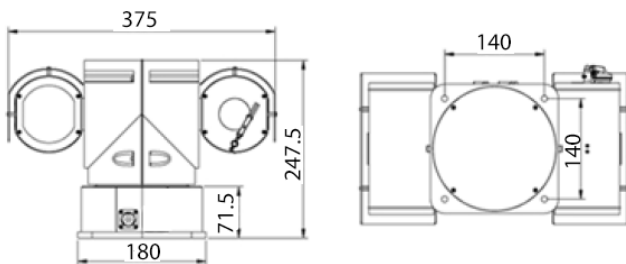
- 33x optical zoom
- IR distance up to 200m

Abundant functions and features

- Wiper supported
- Vehicle based PT structure

Dimensions

Units:mm



Specifications

	IPC521-F233-N
Camera	
Image Sensor	1/3" Progressive Scan CMOS
Pixels	2.0 Megapixel
Min. Illumination	Color: 0.003lux @ (F1.6, AGC ON) B/W: 0.0003lux @ (F1.6, AGC ON); 0lux with IR
Shutter Speed	1 ~ 1/30,000S
Day / Night	Auto (ICR) / Color / B/W
Wide Dynamic Range	Ultra WDR, 120dB
S/N Ratio	>55dB
White Balance	Auto / Manual
Gain Control	Auto / Manual
Backlight Compensation	Off / WDR / BLC / HLC
Lens	
Focal Length	4.5 ~ 148.5mm, 33x optical
Zoom Speed	Approx 3s (Optical)
Angle of View	67.8° ~ 2.34° (Wide~Tele)
Min. Object Distance	300 ~ 1500mm (Wide~Tele)
Max. Aperture Ratio	F1.6 (Wide) / F4.4 (Tele)
Focus Control	Auto / Manual / Semi-Automatic
Infrared	
IR LED	8pcs IR LED Array
IR Distance	150 ~ 200m
IR Intensity	Automatically adjust according to zoom ratio
Pan and Tilt	
Pan / Tilt Range	360° Endless / -85° ~ 85° (Auto Flip)
Pan / Tilt Speed	Pan manual speed: 0.1° ~ 80°/s; Pan preset speed: 120°/s Tilt manual speed: 0.1° ~ 60°/s; Tilt preset speed: 100°/s
Proportional Zoom	Pan / Tilt speed can be adjusted automatically according to zoom multiples
Preset	256
Patrol	8 Patrols scheme, up to 32 presets per patrol
Pattern Scan	4 Scan paths, each path can record 10 minutes of operation path
Power-off Memory	Power-off memory / Power-on recovery
Auto Guard	Path / Preset / Mixed / Pan scan / Tilt scan / Frame scan / Random scan / Panorama scan
PT Limit	Manual / Scan / Pan
3D Positioning	PTZ control with mouse click and drag
Wiper	Supported
Video	
Compression Format	H.265 / H.264 / MJPEG
Image Resolution	Main stream: 1080p Secondary stream: D1
Frame Rate	Main stream: 1080p@30fps Secondary stream: D1@30fps
Bitrate	32kbps ~ 16Mbps
Bitrate Control	VBR / CBR
Multi Stream	Supported
Caption	Date&Time / Alarm / Direction / Customized
Privacy Masking	Up to 4 zones
Motion Detection	Up to 4 zones
Video Freeze	Supported
ROI	Supported
Digital Noise Reduction	3D noise reduction
Digital Defog	Supported
Image Flip	Flip / Mirror
Network	
Network Protocol	TCP/IP, UDP, HTTP, DHCP, DNS/DDNS, RTP/RTCP, RTSP, PPPoE, FTP, VSIP, UPnP, 802.1x, NAT, QoS, SMTP, IPv4, IPv6 (optional)
User Interface	IPC Control (IE, Firefox, Chrome)
Max. User Access	10 Users (include 2 internal access)
Application Program	Onvif (Profile S, Profile G), GB/T 28181-2011, API, CGI
Alarm	
Alarm Triggers	Network disconnect
Alarm Events	Alarm report / Text overlay / Email notice
Interfaces	
Ethernet	10/100M, RJ45 interface
Environmental	
Operating Temperature	-40°C ~ 70°C / -40°F ~ 158°F
Operating Humidity	10% ~ 95%
Protection Level	IP66, TVS 6000V lightning protection, surge protection and voltage transient protection
Electrical	
Power	9 ~ 36V DC, wide range voltage input
Power Consumption	Max. 60W (IR on)
Mechanical	
Weight	7Kg / 15.44lb (Gross Weight)
Dimensions	180mm × 375mm × 247.5mm / 7.09" × 14.77" × 9.75"

IPC521-H120-W

2.0MP 20x Vehicle Wi-Fi PTZ Camera



Features

Excellent Image Quality

- 2.0 Megapixel 1/2.8" Progressive Scan CMOS Sensor
- High definition and smooth picture, 1080p@60fps
- H.265 video codec, saves up to 50% bandwidth and storage
- Ultra low illumination, 0.003lux with color picture
- IR automatically adjusts
- 120dB Ultra WDR
- 3D noise reduction / HLC / BLC

Long Operation Lifespan

- Industrial components, withstands operation temperatures of -40°C ~ 70°C
- IP66, TVS 6000V lightning protection, surge protection and voltage transient protection

Large Scale

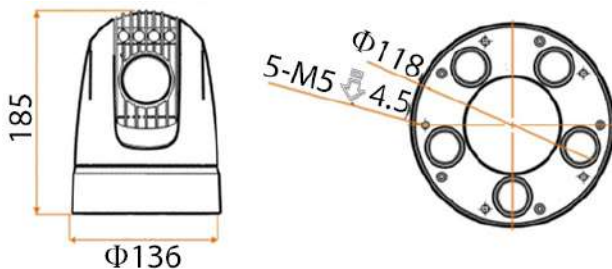
- 20x optical zoom
- IR distance up to 60m

Abundant functions and features

- Built-in super magnet
- Wi-Fi supported
- Up to 8 hours continuous working with battery
- Vehicle based PT structure

Dimensions

Units:mm



Specifications

IPC521-H120-W	
Camera	IPC521-H120-W
Image Sensor	1/2.8" Progressive Scan CMOS
Pixels	2.0 Megapixel
Min. Illumination	Color: 0.003lux @ (F1.6, AGC ON) B/W: 0.0003lux @ (F1.6, AGC ON); 0lux with IR
Shutter Speed	1 ~ 1/30,000S
Day / Night	Auto (ICR) / Color / B/W
Wide Dynamic Range	Ultra WDR, 120dB
S/N Ratio	> 50dB
White Balance	Auto / Manual
Gain Control	Auto / Manual
Backlight Compensation	Off / WDR / BLC / HLC
Lens	
Focal Length	4.7 ~ 94mm, 20x optical
Zoom Speed	Approx 3s (Optical)
Angle of View	54.1° ~ 2.9° (Wide~Tele)
Min. Object Distance	300 ~ 1500mm (Wide~Tele)
Max. Aperture Ratio	F1.6 (Wide) / F3.5 (Tele)
Focus Control	Auto / Manual / Semi-Automatic
Infrared	
IR LED	4pcs IR LED Array
IR Distance	40 ~ 60m
IR Intensity	Automatically adjust according to zoom ratio
Pan and Tilt	
Pan / Tilt Range	360° Endless / -15° ~ 90° (Auto Flip)
Pan / Tilt Speed	Pan manual speed: 0.1° ~ 30°/s; Pan preset speed: 40°/s Tilt manual speed: 0.1° ~ 30°/s; Tilt preset speed: 40°/s
Proportional Zoom	Pan / Tilt speed can be adjusted automatically according to zoom multiples
Preset	256
Patrol	8 Patrols scheme, up to 32 presets per patrol
Pattern Scan	4 Scan paths, each path can record 10 minutes of operation path
Power-off Memory	Power-off memory / Power-on recovery
Auto Guard	Path / Preset / Mixed / Pan scan / Tilt scan / Frame scan / Random scan / Panorama scan
PT Limit	Manual / Scan / Pan
3D Positioning	PTZ control with mouse click and drag
Video	
Compression Format	H.265 / H.264 / MJPEG
Image Resolution	Main stream: 1080p Secondary stream: D1
Frame Rate	Main stream: 1080p@60fps Secondary stream: D1@30fps
Bitrate	32kbps ~ 16Mbps
Bitrate Control	VBR / CBR
Multi Stream	Supported
Caption	Date&Time / Alarm / Direction / Customized
Privacy Masking	Up to 4 zones
Motion Detection	Up to 4 zones
Video Freeze	Supported
ROI	Supported
Digital Noise Reduction	3D noise reduction
Digital Defog	Supported
Image Flip	Flip / Mirror
Network	
Network Protocol	TCP/IP, UDP, HTTP, DHCP, DNS/DDNS, RTP/RTCP, RTSP, PPPoE, FTP, VSIP, UPnP, 802.1x, NAT, QoS, SMTP, IPv4, IPv6 (optional)
User Interface	IPC Control (IE, Firefox, Chrome)
Max. User Access	10 Users (include 2 internal access)
Application Program	Onvif (Profile S, Profile G), GB/T 28181-2011, API, CGI
Alarm	
Alarm Triggers	Network disconnect
Alarm Events	Alarm report / Text overlay / Email notice
Interfaces	
Ethernet	10/100M, RJ45 interface
Wi-Fi	Built-in Wi-Fi module
Environmental	
Operating Temperature	Power supplied by built-in battery: -20°C ~ 60°C / -4°F ~ 140°F Power supplied by DC: -40°C ~ 70°C / -40°F ~ 158°F
Operating Humidity	10% ~ 95%
Protection Level	IP66, TVS 6000V lightning protection, surge protection and voltage transient protection
Electrical	
Power	Built-in 10000mAh rechargeable lithium battery Up to 8 hours continuous working with battery 12V DC ± 10%
Power Consumption	Max. 60W (IR on)
Mechanical	
Magnet	Built-in super magnet
Weight	2.5Kg / 5.51lb (Gross Weight)
Dimensions	Φ136 × 185mm / Φ5.35" × 7.29"



Website



Facebook

www.kedacom.com/en

China (Headquarters)

131, Jinshan Road, New District,
Suzhou 215011, P.R.China
Tel: (86) 512 6841 8188
Email: info@kedacom.com

Singapore

(International Headquarters)
627A Aljunied Road, BizTech Centre,
#09-07, Singapore 389842.
Tel: (65) 6842 5700
Email: sales@sg.kedacom.com

Shenzhen

Room 2103B Tianxia Feicui Mingzhu
Jinji Road, Nanshan District
Shenzhen, China, 518000
Tel: (86) 138 2886 0464
Email: alec@sg.kedacom.com

Netherlands

Groenhof 344, Amstelveen, 1186GK,
The Netherlands.
Tel: (31) 020 640 1114
Email: holland@sg.kedacom.com

Korea

#1802 Daeryung Techno 15th, 401 Simindaero,
Dongan-Gu, Gyunggi-Do, Korea 431062.
Tel: (82) 31 386 3140
Email: cheong@kedacom.co.kr

Turkey

Nish Istanbul Residence, B Blok Kat:3, N:41
Cobancesme / Yenibosna, Istanbul, Turkey 34196.
Tel: (90) 212 220 5550
Email: turkey@sg.kedacom.com